

# HARTING Industrial Ethernet Solutions



This page of product is compliant.



Pushing Performance

## RJ INDUSTRIAL 10G CAT.6 DEVICE SIDE COMPONENTS

- Cat. 6 components to class EA for Ethernet up to 10 Gigabit
- HARTING Industrial Form Factor (HIFFF) dimensions for proper fit to PushPull, Han® 3A and Han-Modular® product lines
- Equivalent electrical performance across product lines
- Coupler is a full metal, robust design

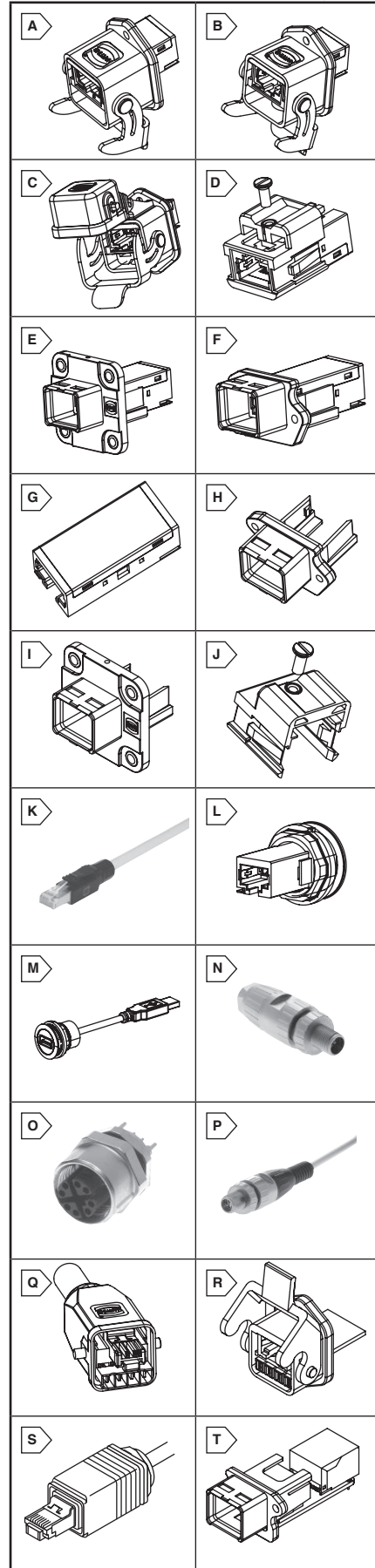
- Future proof your 8 wire systems
- 360° shielding
- 360° EMC for industrial environments
- Ready to use panel feed through reduces assembly time



RoHS Compliant

For quantities greater than listed, call for quote.

MOUSER STOCK NO.	HARTING Part No.	Fig.	Description	Price Each		
				1	5	10
<a href="#">617-09-45-225-1560</a>	09 45 225 1560	A	RJ45 CAT6 Panel Feed Through, Black Plastic	32.10	54.29	28.57
<a href="#">617-09-45-215-1560</a>	09 45 215 1560	A	RJ45 CAT6 Panel Feed Through, Metal Gray	35.70	54.29	31.78
<a href="#">617-09-45-215-1561</a>	09 45 215 1561	B	RJ45 CAT6 Panel Feed Through, Metal Black, Marine Version	57.76	54.29	51.41
<a href="#">617-09-45-215-1562</a>	09 45 215 1562	C	RJ45 CAT6 Panel Feed Through, Metal Gray, Self-Close Cover	72.94	68.56	64.92
<a href="#">617-09-45-200-1560</a>	09 45 200 1560	D	RJ45 CAT6 Insert	29.18	68.56	25.98
<a href="#">617-09-45-245-1590</a>	09 45 245 1590	E	Push-Pull Plastic Easy Install CAT6 Panel Feed Through	23.12	68.56	20.58
<a href="#">617-09-45-245-1560</a>	09 45 245 1560	F	Push-Pull Compact CAT6 Panel Feed Through	21.90	68.56	19.49
<a href="#">617-09-45-545-1560</a>	09 45 545 1560	G	10G CAT6 Bulkhead, RJ45-RJ45 Coupler	17.64	16.58	15.70
<a href="#">617-09-45-545-0028</a>	09 45 545 0028	H	Push-Pull Compact Receptacle Housing for Hiff Inserts	7.11	68.56	6.22
<a href="#">617-09-45-545-0032</a>	09 45 545 0032	I	Easy Install Housing for Hiff Insert W/ Plastic Clip	7.11	68.56	6.22
<a href="#">617-09-45-515-0024</a>	09 45 515 0024	J	Adapter for Hiff Inserts	4.60	4.32	4.09



## RJ INDUSTRIAL 10G CONNECTOR

- Housing: Plastic, Black
- Mating Interface: RJ 45 in acc. to IEC 60603-7
- Wire Gauge: 27-22AWG
- Cable Diameter: 4.5mm-9.0mm

For quantities greater than listed, call for quote.

MOUSER STOCK NO.	HARTING Part No.	Fig.	Description	Price Each		
				1	5	10
<a href="#">617-09451511560</a>	09 45 151 1560	K	RJ Industrial 10G Plug Set	29.26	26.94	25.05

## HAR-PORT SERVICE INTERFACE FOR ETHERNET AND USB

- Number of ports: 2x RJ45
- Transmission rate: 10/100Mbit/s and 1/10Gbit/s



RoHS Compliant

For quantities greater than listed, call for quote.

MOUSER STOCK NO.	HARTING Part No.	Fig.	Description	Price Each		
				1	10	25
<a href="#">617-9454521560</a>	09 45 452 1560	L	RJ45 IP20 Coupler Cat. 6	27.60	25.87	22.58
<a href="#">617-9454521922</a>	09 45 452 1922	M	USB 2.0 A-A Coupler, 1.5m PFT Cable	56.07	52.56	45.87
<a href="#">617-9455020000</a>	09 45 502 0000	-	Protection Cover IP44	7.55	7.08	6.18
<a href="#">617-9455020001</a>	09 45 502 0001	-	Sealing Cover	10.42	9.76	8.53
<a href="#">617-9455020004</a>	09 45 502 0004	-	Blind Cover	10.31	9.66	8.44
<a href="#">617-9455020002</a>	09 45 502 0002	-	Label Holder	1.46	1.37	1.19
<a href="#">617-9455020003</a>	09 45 502 0003	-	Label, Self-Adhesive	1.82	1.70	1.49

## HAR-SPEED M12 CONNECTORS

- Fully shielded
- High speed transfer rates to 1/10 Gbit
- Protection class IP 65/67



RoHS Compliant

For quantities greater than listed, call for quote.

MOUSER STOCK NO.	HARTING Part No.	Fig.	Description	Price Each		
				1	10	25
<a href="#">617-21-03-881-5805</a>	21 03 881 5805	N	Male 8 pole	65.66	57.15	53.21
<a href="#">617-21-03-381-2801</a>	21 03 381 2801	O	Female 8 pole	46.61	43.65	41.87
<a href="#">617-21-03-483-1801</a>	21 03 483 1801	P	Male 1M system cable	86.91	75.65	70.43
<a href="#">617-21-03-483-1810</a>	21 03 483 1810	P	Male 10M system cable	186.26	162.48	150.59

## IP67 HYBRID CONNECTORS

- Mating interface: RJ 45 in accordance with IEC 60603-7, plus 4 x power supply
- Data and power integrated into one connector for hybrid ethernet networks
- Mating cycles: 500 min
- Cable plug: Wire gauge: 22-24AWG stranded 22-23AWG solid

- Panel Feed Through: Panel cut out: 22x22mm
- Protection level: IP67
- Temperature range: -40°C to +70°C
- Working voltage power supply: 48V
- Housing material: Black polyamide, UL94V-0 rated
- RoHS compliant per HARTING documentation



RoHS Compliant

For quantities greater than listed, call for quote.

MOUSER STOCK NO.	HARTING Part No.	Fig.	Description	Price Each		
				1	5	10
<a href="#">617-09-45-125-1300</a>	09 45 125 1300	Q	Cable Plug, straight with plastic cable gland	26.93	24.87	23.09
<a href="#">617-09-45-225-1300</a>	09 45 225 1300	R	Panel Feed Through, internal RJ 45 jack IP20 and cage clamp	33.80	30.99	28.60

## IP67 RJ45 PUSH PULL CONNECTORS

- Mating interface: RJ 45 in accordance with IEC 60603-7
- Mating cycles: 750 min
- Protection level: IP67
- Temperature range: -40°C to +70°C
- Housing material: Black polyamide, UL94V-0 rated

- Cat 5 Data Plug utilizes IDC Termination
- Cat 6 Data Plug utilizes Crimp Termination
- Wire gauge: Cat5 Plug 22-24AWG; Cat6 Plug 24-26AWG
- Panel feed through: Panel cut out: 21x27mm
- RoHS compliant per HARTING documentation



RoHS Compliant

For quantities greater than listed, call for quote.

MOUSER STOCK NO.	HARTING Part No.	Fig.	Description	Price Each		
				1	5	10
<a href="#">617-09-45-145-1100</a>	09 45 145 1100	S	Cat 5 Cable Plug; straight with plastic cable gland; 4 pole	15.53	14.03	13.30
<a href="#">617-09-45-245-1102</a>	09 45 245 1102	T	Panel Feed through, data only, internal RJ 45 jack	15.26	13.98	12.91