

TE Industrial Ethernet Connectors



SERIES 45 ETHERNET CPC (CIRCULAR PLASTIC CONNECTOR)

RoHS Compliant This page of product is compliant.

This series of CPC products accepts RJ45 inserts. The same CPC performance interface that is widely accepted over many markets has been expanded to handle Ethernet communications through Category 5 and 5e requirements.

Applications:

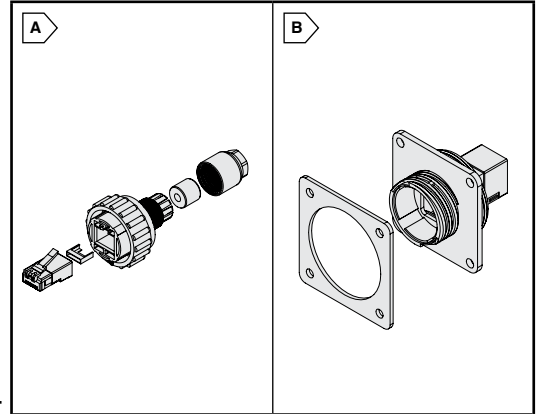
- Industrial machinery, Diagnostic equipment, Communications equipment, Printers, and any potential application where Ethernet is used when the connector requirement calls for a sealed, rugged connector interface.

Features:

- For Category 5 and 5e cables
- Sealing performance per IP67
- Protective sealing cap available for the receptacles
- Available pass-through and field installable receptacle styles
- Positive lock coupling ring provides for reliable connections

For quantities greater than listed, call for quote.

MOUSER STOCK NO.	TE Part No.	Fig.	Description	Price Each		
				1	5	10
571-1546907-1	1546907-1	A	Shielded Plug Kit, Solid Wire	14.65	14.38	14.05
571-1546907-2	1546907-2	A	Shielded Plug Kit, Stranded Wire	13.72	13.46	13.16
571-1546876-1	1546876-1	A	Unshielded Plug Kit, Solid Wire	10.12	9.68	9.51
571-1546876-2	1546876-2	A	Unshielded Plug Kit, Stranded Wire	10.80	10.56	10.26
571-1986172-1	1986172-1	B	Shielded Receptacle Kit, Pass Through	26.11	25.24	24.70
571-1546908-1	1546908-1	B	Shielded Receptacle Kit, Wire Terminated	15.47	15.02	14.66
571-1776186-1	1776186-1	B	Unshielded Receptacle Kit, Pass Through	16.82	16.07	15.73
571-1546877-1	1546877-1	B	Unshielded Receptacle Kit, Wire Terminated	22.78	22.25	21.55



INDUSTRIAL CIRCULAR ETHERNET CONNECTORS (ODVA)

This rugged connector series meets the Ethernet/IP RJ45 requirements/standards. Designed for use in harsh environments, connector features a quick-connect bayonet coupling mechanism per the ODVA interoperability interface specification.

Applications:

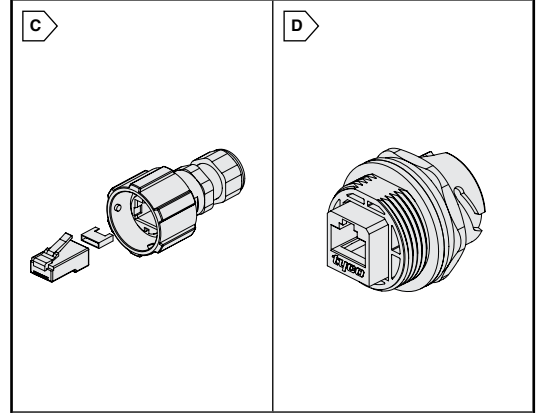
- Industrial machinery, Diagnostic equipment, Communications equipment, Printers and any potential application where Ethernet is used where the connector requirement calls for a sealed, rugged connector interface.
- Harsh environments where chemicals, corrosive gases and liquids are commonplace
- Inside and outside industrial plant and equipment that interface with industrial Ethernet networks

Features:

- For Category 5e cables
- Sealing performance per IP67
- Protective cover available for the receptacles
- Positive lock coupling ring provides reliable connections in harsh environments
- Temperature range of -40°C to +85°C

For quantities greater than listed, call for quote.

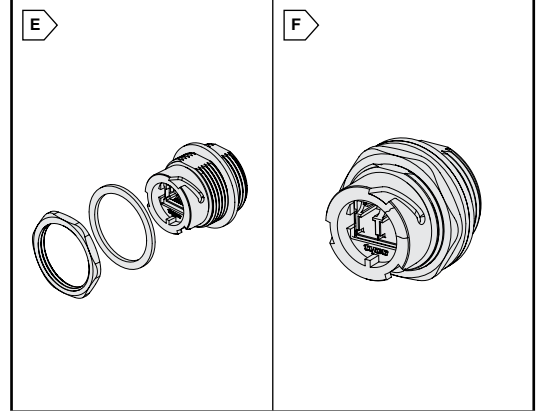
MOUSER STOCK NO.	TE Part No.	Fig.	Description	Price Each		
				1	5	10
571-1738607-1	1738607-1	C	Solid Wire Plug Kit	12.24	11.87	11.23
571-1738607-2	1738607-2	C	Stranded Wire Plug Kit	12.24	11.87	11.23
571-1738601-1	1738601-1	D	Receptacle Kit	25.23	23.15	21.58
571-1776900-1	1776900-1	E	PCB Mount Receptacle Kit	14.71	13.70	13.37
571-1738611-1	1738611-1	-	Protective Cover Assembly	10.85	10.43	10.01



IP67 Metal Shell ODVA-Compliant Industrial Ethernet Connectors

For quantities greater than listed, call for quote.

MOUSER STOCK NO.	TE Part No.	Fig.	Description	Price Each		
				1	5	10
571-2008611-1	2008611-1	C	Unshielded Plug Kit for Stranded Wire	31.30	28.85	27.54
571-2008611-2	2008611-2	C	Unshielded Plug Kit for Solid Wire	20.79	20.21	19.54
571-2008614-1	2008614-1	C	Shielded Plug Kit for Stranded Wire	21.97	21.67	21.07
571-2008614-2	2008614-2	C	Shielded Plug Kit for Solid Wire	23.05	22.48	21.96
571-2008615-1	2008615-1	D	Receptacle Kit—Unshielded 8 position	32.18	31.47	29.94
571-2008615-2	2008615-2	D	Receptacle Kit—Shielded 8 position	37.08	34.17	31.47
571-2008618-1	2008618-1	-	Protective Cap for Receptacle Kit	19.26	18.43	17.79



Sealed Circular Fiber Optics LC ODVA Connectors

For quantities greater than listed, call for quote.

MOUSER STOCK NO.	TE Part No.	Fig.	Description	Price Each		
				1	5	10
571-1828619-2	1828619-2	F	Single-Mode Fiber Optic Receptacle	19.24	17.77	15.12
571-1828619-1	1828619-1	F	Multi-Mode Fiber Optic Receptacle	24.24	22.62	20.41
571-1828740-1	1828740-1	-	Connector Dust Cover	4.08	3.74	3.45
571-1918177-1	1918177-1	-	Receptacle Dust Cover	6.00	5.40	5.10

INDUSTRIAL MINI I/O CONNECTOR SYSTEM

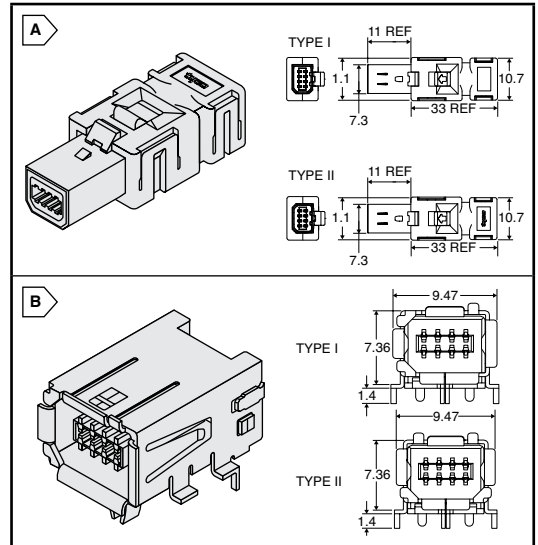
The Industrial Mini I/O connector system is a small, compact, latching, wire-to-board I/O interface is suitable for the stringent demands of an industrial device. The system is most commonly used as an RJ45 replacement. It consists of 8 individual circuits that accommodate I/O signals.

Features:

- Two points on contact interface for increased reliability
- Small compact size
- Latching feature
- Polarized
- Meets CAT5e requirements

For quantities greater than listed, call for quote.

MOUSER STOCK NO.	TE Part No.	Fig.	Description	Price Each		
				1	5	10
571-2013595-3	2013595-3	A	8P Mini I/O Plug Kit Type I Black w/Cover	6.60	5.88	5.41
571-2040008-1	2040008-1	A	8P Mini I/O Plug Kit Type II Black	5.88	5.24	4.83
571-2040008-2	2040008-2	A	8P Mini I/O Plug Kit Type II White	6.18	5.51	5.07
571-2013595-1	2013595-1	A	8P Mini I/O Plug Kit Type I, Black	5.88	5.24	4.83
571-2040537-1	2040537-1	B	Mini I/O Receptacle T-H Assembly Type I	1.86	1.64	1.53
571-1-2040537-1	1-2040537-1	B	Mini I/O Receptacle T-H Assembly Type II	1.56	1.39	1.28
571-1981080-1	1981080-1	B	Mini I/O Receptacle SMT Assembly Type I	2.27	2.16	2.05
571-1981386-1	1981386-1	B	Mini I/O Receptacle SMT Assembly Type II	2.27	2.16	2.05



Data/Network/Telecom

TE Connectivity