

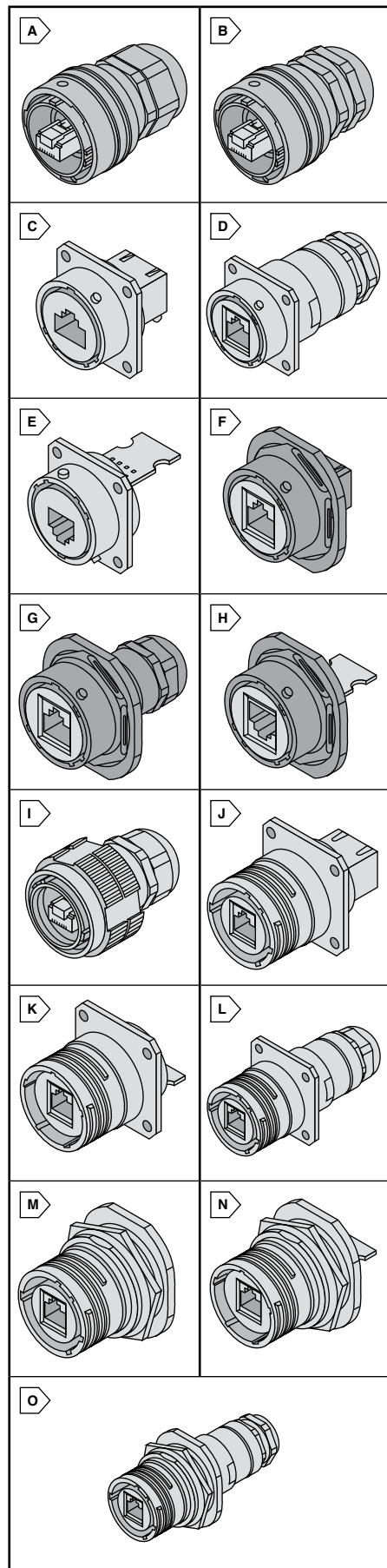
AMPHENOL® Rugged Ethernet Connection Systems Amphenol®

RJ FIELD ETHERNET BAYONET CONNECTION SYSTEM

- IP68, Sealed against fluids and dusts
- No Tools required
- Mechanical Coding/Polarization (4 positions)
- Bayonet coupling mechanism (MIL-C-26482 type)
- Audible and Visual coupling signal
- Accommodates a standard RJ45 cordset

For quantities greater than listed, call for quote.

| MOUSER STOCK NO. | Amphenol Part No. | Fig. | RoHS | Description | Price Each | | |
|--------------------|-------------------|------|------|---|------------|--------|--------|
| | | | | | 1 | 5 | 10 |
| Plugs | | | | | | | |
| 523-RJF6B | RJF6B | A | Yes | Plug, Metal Circular Shell, Plastic Gland, Black | 41.04 | 38.12 | 37.79 |
| 523-RJF6N | RJF6N | A | Yes | Plug, Metal Circular Shell, Plastic Gland, Nickel | 46.44 | 45.44 | 42.55 |
| 523-RJF6G | RJF6G | A | No | Plug, Metal Circular Shell, Green Cadmium | 39.42 | 37.37 | 36.86 |
| 523-RJF6MB | RJF6MB | B | Yes | Plug, Metal Circular Shell, Black, Metal Gland | 55.52 | 52.12 | 44.21 |
| 523-RJF6MN | RJF6MN | B | Yes | Plug, Metal Circular Shell, Nickel, Metal Gland | 58.12 | 47.65 | 46.52 |
| 523-RJF6MG | RJF6MG | B | No | Plug, Metal Circular Shell, Green Cadmium, Metal Gland | 54.52 | 51.75 | 50.25 |
| Receptacles | | | | | | | |
| 523-RJF21B | RJF21B | C | Yes | Panel Mount Recept., RJ45, Black | 39.75 | 38.00 | 36.72 |
| 523-RJF21N | RJF21N | C | Yes | Panel Mount Recept., RJ45, Nickel | 48.19 | 46.18 | 44.49 |
| 523-RJF21G | RJF21G | C | No | Panel Mount Recept., RJ45, Green Cadmium | 40.33 | 38.56 | 35.50 |
| 523-RJF2PE1B | RJF2PE1B | - | Yes | Panel Mount Recept., RJ45, Backshell Plastic Gland, Black | 78.62 | 76.26 | 73.38 |
| 523-RJF2PE1N | RJF2PE1N | - | Yes | Panel Mount Recept., RJ45, Backshell Plastic Gland, Nickel | 85.12 | 70.37 | 65.28 |
| 523-RJF2PE1G | RJF2PE1G | - | No | Panel Mnt Recept., RJ45, Backshell Plastic Gland, Green Cadmium | 62.12 | 60.25 | 55.55 |
| 523-RJF2PEM1B | RJF2PEM1B | D | Yes | Panel Mount Recept., RJ45, Backshell Metal Gland, Black | 81.18 | 78.15 | 75.56 |
| 523-RJF2PEM1N | RJF2PEM1N | D | Yes | Panel Mount Recept., RJ45, Backshell Metal Gland, Nickel | 76.15 | 73.86 | 72.14 |
| 523-RJF2PEM1G | RJF2PEM1G | D | No | Panel Mnt Recept., RJ45, Backshell Metal Gland, Green Cadmium | 75.51 | 70.07 | 67.89 |
| 523-RJF22B00 | RJF22B00 | E | Yes | Panel Mount Recept., PCB, Black | 33.25 | 32.00 | 31.01 |
| 523-RJF22N00 | RJF22N00 | E | Yes | Panel Mount Recept., PCB, Nickel | 37.46 | 35.13 | 33.63 |
| 523-RJF22G00 | RJF22G00 | E | No | Panel Mount Recept., PCB, Green Cadmium | 45.82 | 44.12 | 43.56 |
| 523-RJF71B | RJF71B | F | Yes | Jam Nut Recept., RJ45, Black | 62.49 | 59.87 | 57.89 |
| 523-RJF71N | RJF71N | F | Yes | Jam Nut Recept., RJ45, Nickel | 69.01 | 65.12 | 62.89 |
| 523-RJF71G | RJF71G | F | No | Jam Nut Recept., RJ45, Green Cadmium | 66.51 | 63.32 | 61.16 |
| 523-RJF7PE1B | RJF7PE1B | G | Yes | Jam Nut Recept., RJ45, Backshell Plastic Gland, Black | 99.44 | 92.24 | 85.67 |
| 523-RJF7PE1G | RJF7PE1G | G | No | Jam Nut Recept., RJ45, Green Cadmium | 79.98 | 75.04 | 69.52 |
| 523-RJF7PEM1B | RJF7PEM1B | G | Yes | Jam Nut Recept., RJ45, Backshell Metal Gland, Black | 115.64 | 112.17 | 103.65 |
| 523-RJF7PEM1N | RJF7PEM1N | G | Yes | Jam Nut Recept., RJ45, Backshell Metal Gland, Nickel | 118.48 | 111.64 | 101.26 |
| 523-RJF7PEM1G | RJF7PEM1G | G | No | Jam Nut Recept., RJ45, Backshell Metal Gland, Green Cadmium | 89.77 | 83.51 | 77.72 |
| 523-RJF72G00 | RJF72G00 | H | No | Jam Nut Recept., PCB, Green Cadmium | 46.59 | 45.20 | 41.13 |
| Accessories | | | | | | | |
| 523-RJFC6B | RJFC6B | - | Yes | Cap for Plug, Black | 33.79 | 32.13 | 31.32 |
| 523-RJFC6N | RJFC6N | - | Yes | Cap for Plug, Nickel | 38.13 | 37.46 | 36.12 |
| 523-RJFC6G | RJFC6G | - | No | Cap for Plug, Green Cadmium | 36.64 | 35.42 | 34.99 |
| 523-RJFC2B | RJFC2B | - | Yes | Cap for Panel Mount Receptacle, Black | 34.56 | 33.00 | 31.89 |
| 523-RJFC2N | RJFC2N | - | Yes | Cap for Panel Mount Receptacle, Nickel | 32.92 | 31.69 | 30.66 |
| 523-RJFC2G | RJFC2G | - | No | Cap for Panel Mount Receptacle, Green Cadmium | 37.55 | 35.34 | 34.77 |
| 523-RJFC7B | RJFC7B | - | Yes | Cap for Jam Nut Receptacle, Black | 39.67 | 38.47 | 36.89 |
| 523-RJFC7N | RJFC7N | - | Yes | Cap for Jam Nut Receptacle, Nickel | 44.62 | 41.23 | 38.16 |
| 523-RJFC7G | RJFC7G | - | No | Cap for Jam Nut Receptacle, Green Cadmium | 44.16 | 42.24 | 40.89 |



Amphenol Data/Network/Telecom

RJ FIELD TV THREADED ETHERNET CONNECTION SYSTEM

- IP68, Sealed against fluids and dusts
- No tools required
- Tri-Start Thread coupling mechanism (MIL-DTL-38999 series III type) with anti-decoupling device
- Self coding/clocking polarization in 4 positions (A,B,C,D)

For quantities greater than listed, call for quote.

| MOUSER STOCK NO. | Amphenol Part No. | Fig. | RoHS | Description | Price Each | | |
|-------------------------------|-------------------|------|------|---|------------|--------|--------|
| | | | | | 1 | 5 | 10 |
| Plugs | | | | | | | |
| 523-RJFTV6N | RJFTV6N | I | Yes | Plug, Plastic Gland, Nickel | 54.14 | 52.43 | 50.05 |
| 523-RJFTV6G | RJFTV6G | I | No | Plug, Plastic Gland, Green Cadmium | 60.96 | 58.41 | 56.19 |
| 523-RJFTV6MN | RJFTV6MN | - | Yes | Plug, Metal Gland, Nickel | 60.05 | 57.42 | 55.98 |
| 523-RJFTV6MG | RJFTV6MG | - | No | Plug, Metal Gland, Green Cadmium | 74.56 | 63.00 | 58.86 |
| Receptacles | | | | | | | |
| 523-RJFTV21N | RJFTV21N | J | Yes | Panel Mount Recept., RJ45, Nickel | 62.12 | 59.59 | 58.88 |
| 523-RJFTV21G | RJFTV21G | K | No | Panel Mount Recept., RJ45, Green Cadmium | 55.25 | 53.24 | 50.91 |
| 523-RJFTV22N00 | RJFTV22N00 | J | Yes | Panel Mount Recept., PCB, Nickel | 41.76 | 40.00 | 37.77 |
| 523-RJFTV22G00 | RJFTV22G00 | K | No | Panel Mount Recept., PCB, Green Cadmium | 42.99 | 41.12 | 36.78 |
| 523-RJFTV2PE1G | RJFTV2PE1G | L | No | Panel Mnt Recept., RJ45, Backshell Plastic Gland, Green Cadmium | 96.31 | 94.52 | 89.12 |
| 523-RJFTV2PEM1N | RJFTV2PEM1N | L | Yes | Panel Mount Recept., RJ45, Backshell Metal Gland, Nickel | 76.49 | 75.11 | 71.55 |
| 523-RJFTV2PEM1G | RJFTV2PEM1G | L | Yes | Panel Mnt Recept., RJ45, Backshell Plastic Gland, Green Cadmium | 84.49 | 81.42 | 78.44 |
| 523-RJFTV71N | RJFTV71N | M | Yes | Jam Nut Recept., RJ45, Nickel | 65.79 | 63.46 | 61.11 |
| 523-RJFTV71G | RJFTV71G | M | No | Jam Nut Recept., RJ45, Green Cadmium | 70.46 | 67.02 | 61.87 |
| 523-RJFTV72G00 | RJFTV72G00 | N | No | Jam Nut Recept., PCB, Green Cadmium | 89.25 | 88.00 | 81.46 |
| 523-RJFTV72N00 | RJFTV72N00 | N | Yes | Jam Nut Recept., PCB, Nickel | 69.77 | 67.45 | 66.66 |
| 523-RJFTV7PE1N | RJFTV7PE1N | O | Yes | Jam Nut Recept., RJ45, Backshell Plastic Gland, Nickel | 75.87 | 73.16 | 71.98 |
| 523-RJFTV7PEM1N | RJFTV7PEM1N | O | Yes | Jam Nut Recept., RJ45, Backshell Metal Gland, Nickel | 123.77 | 92.44 | 86.46 |
| 523-RJFTV7PEM1G | RJFTV7PEM1G | O | No | Jam Nut Recept., RJ45, Backshell Mtl Gland, Green Cadmium | 97.55 | 94.09 | 89.37 |
| Accessories | | | | | | | |
| 523-RJFTVC6N | RJFTVC6N | - | Yes | Cap for Plug, Nickel | 41.01 | 38.21 | 36.83 |
| 523-RJFTVC6G | RJFTVC6G | - | No | Cap for Plug, Green Cadmium | 43.73 | 43.03 | 41.01 |
| 523-RJFTVC2N | RJFTVC2N | - | Yes | Cap for Panel Mount Recept., Nickel | 48.42 | 46.16 | 39.77 |
| 523-RJFTVC2G | RJFTVC2G | - | No | Cap for Panel Mount Recept., Green Cadmium | 44.57 | 42.00 | 41.07 |
| 523-RJFTVC7N | RJFTVC7N | - | Yes | Cap for Jam Nut Recept., Nickel | 48.84 | 46.95 | 45.85 |
| 523-RJFTVC7G | RJFTVC7G | - | No | Cap for Jam Nut Recept., Green Cadmium | 52.26 | 51.01 | 47.99 |
| 360° EMI Shielded Kits | | | | | | | |
| 523-KIT38081 | KIT38081 | - | No | Plug with Band, Shell, Backshell, RJ Stops & Sleeve | 139.21 | 133.12 | 129.12 |
| 523-KIT38082 | KIT38082 | - | No | Recept. with Band, Shell, Sleeve, Backshell & Gasket | 123.32 | 122.21 | 121.12 |