

# AMPHENOL® Rugged Ethernet Connection System Amphenol®

## RJF EZ ETHERNET COMPOSITE CONNECTORS

- IP68, Sealed against fluids and dusts
- No tools required
- Can use a standard RJ45 cordset
- Quick lever coupling

For quantities greater than listed, call for quote.

MOUSER STOCK NO.	Amphenol Part No.	Fig.	Description	Price Each		
				1	5	10
<a href="#">523-RJFEZ6</a>	RJFEZ6	A	Rectangular, Plastic, Black Plug	10.57	10.31	9.83
<a href="#">523-RJFEZ21</a>	RJFEZ21	B	Rectangular Plastic Panel Mount, RJ45, Black Receptacle	21.49	20.79	20.02
<a href="#">523-RJFEZ2203100BTX</a>	RJFEZ2203100BTX	C	Panel Mount with RJ45 cordset, 0.3M, Black Receptacle	32.60	32.03	31.41
<a href="#">523-RJFEZ2205100BTX</a>	RJFEZ2205100BTX	C	Panel Mount with RJ45 cordset, 0.5M, Black Receptacle	33.00	32.01	31.04
<b>RJFEZ Accessories</b>				1	5	10
<a href="#">523-RJFEZBE</a>	RJFEZBE	-	Rectangular Plastic Cap for Receptacle	7.49	6.38	6.18
<a href="#">523-RJFEZJE</a>	RJFEZJE	-	Gasket for Panel Mount Receptacle	.65	.56	.543

## RJ11 FIELD CONNECTION SYSTEM

- Transversely potted and sealed without cap
- Accommodates a standard RJ11 cordset
- Four mechanical coding/polarization possibilities for the user
- MIL-C-26482
- Bayonet coupling

For quantities greater than listed, call for quote.

MOUSER STOCK NO.	Amphenol Part No.	Fig.	Description	Price Each		
				1	5	10
<b>Plugs</b>						
<a href="#">523-RJ11F6B</a>	RJ11F6B	D	Plastic Gland, Black	60.16	60.00	59.89
<a href="#">523-RJ11F6N</a>	RJ11F6N	D	Plastic Gland, Nickel	62.57	60.89	59.66
<b>Receptacles</b>						
<a href="#">523-RJ11F21B</a>	RJ11F21B	E	Panel Mount, RJ11 to RJ11, Black	60.45	58.72	57.01
<a href="#">523-RJ11F21N</a>	RJ11F21N	E	Panel Mount, RJ11 to RJ11, Nickel	63.13	61.62	59.74
<a href="#">523-RJ11F22N</a>	RJ11F22N	F	Panel Mount, RJ11 to PC Board, Nickel	62.42	60.13	59.43
<a href="#">523-RJ11F71N</a>	RJ11F71N	G	Jam Nut, RJ11 to RJ11, Nickel	87.13	84.56	81.12
<a href="#">523-RJ11F72N</a>	RJ11F72N	H	Jam Nut, RJ11 to PC Board, Nickel	85.65	83.56	82.52
<b>RJ11 Field Accessories</b>						
<a href="#">523-RJ11FC6N</a>	RJ11FC6N	I	Cap for Plug, Nickel	43.27	41.58	38.90
<a href="#">523-RJ11FC2B</a>	RJ11FC2B	J	Cap for Receptacle, Black	44.62	43.16	42.91
<a href="#">523-RJ11FC2N</a>	RJ11FC2N	J	Cap for Receptacle, Nickel	46.40	45.54	44.18
<a href="#">523-RJ11FC7N</a>	RJ11FC7N	J	Cap for Jam Nut Receptacle, Nickel	50.49	49.92	46.71
<a href="#">523-RJ11FODE</a>	RJ11FODE	K	Insert Removal Device	41.96	41.55	40.01

## RJ FIELD TRANSVERSELY AND ENVIRONMENTALLY SEALED RECEPTACLES

- Transversely potted and sealed without cap
- Features the same main characteristics as the RJ Field and RJ Field TV series
- Four mechanical coding/polarization possibilities for the user
- IP68, sealed against fluids and dust
- Tri-start threading

For quantities greater than listed, call for quote.

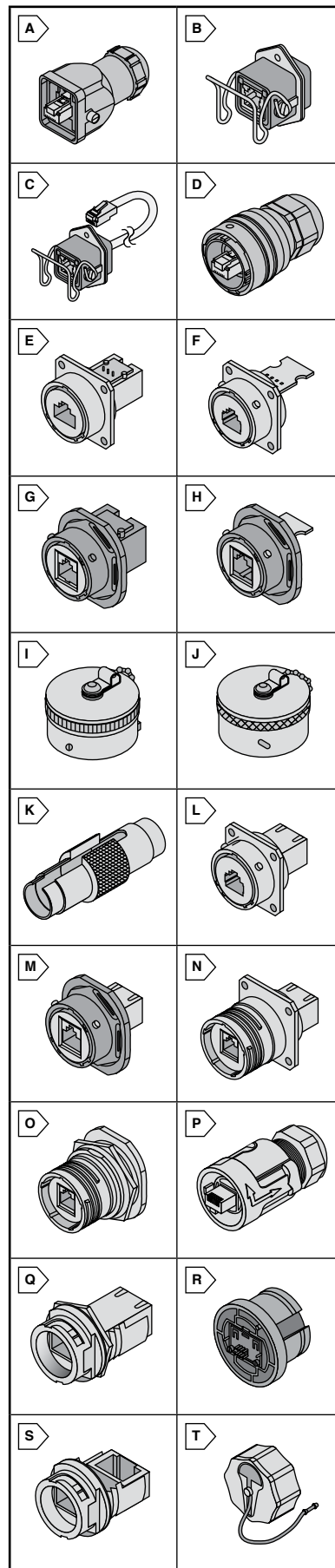
MOUSER STOCK NO.	Amphenol Part No.	Fig.	Description	RoHS Compliant	Price Each		
					1	5	10
<a href="#">523-RJF2SA1B</a>	RJF2SA1B	L	Panel Mount, RJ45, Black	Yes	62.72	61.57	60.59
<a href="#">523-RJF2SA1N</a>	RJF2SA1N	L	Panel Mount, RJ45, Nickel	Yes	58.45	56.79	54.54
<a href="#">523-RJF2SA1G</a>	RJF2SA1G	L	Panel Mount, RJ45, Green Cadmium	No	66.71	63.43	61.89
<a href="#">523-RJF7SA1B</a>	RJF7SA1B	M	Jam Nut, RJ45, Black	Yes	78.93	76.56	74.65
<a href="#">523-RJF7SA1G</a>	RJF7SA1G	M	Jam Nut, RJ45, Green Cadmium	No	85.41	82.98	76.78
<a href="#">523-RJFTV2SA1N</a>	RJFTV2SA1N	N	Panel Mount, RJ45, Nickel	Yes	84.51	74.48	68.59
<a href="#">523-RJFTV2SA1G</a>	RJFTV2SA1G	N	Panel Mount, RJ45, Green Cadmium	No	74.43	73.42	71.13
<a href="#">523-RJFTV7SA1G</a>	RJFTV7SA1G	O	Jam Nut, RJ45, Green Cadmium	No	76.37	74.07	73.19

## RJ FIELD REVERSE BAYONET COMPOSITE CONNECTORS

- Compatible with cable diameter from 5.5mm to 7mm
- Transversely potted and sealed without cap
- Accommodates a standard RJ45 cordset
- IP68, sealed against fluids and dust
- No tools required

For quantities greater than listed, call for quote.

MOUSER STOCK NO.	Amphenol Part No.	Fig.	Description	Price Each		
				1	5	10
<b>Cat 5e Plug</b>						
<a href="#">523-RJFRB6</a>	RJFRB6	P	Plug, Plastic Gland, Black	19.54	18.54	17.52
<b>Cat 5e Receptacle</b>						
<a href="#">523-RJFRB71</a>	RJFRB71	Q	Jam Nut, RJ45, Black	26.45	25.29	24.43
<a href="#">523-RJFRB7203100BTX</a>	RJFRB7203100BTX	Q	Jam Nut, with 11.81" (0.3 m) RJ45 cordset, Black	47.71	45.33	42.08
<a href="#">523-RJFRB7210100BTX</a>	RJFRB7210100BTX	Q	Jam Nut, with 39.37" (1.0 m) RJ45 cordset, Black	83.05	80.21	77.69
<a href="#">523-RJFRB75</a>	RJFRB75	R	Jam Nut, with straight PC Tails, Black	36.65	35.80	34.90
<a href="#">523-RJFRB71RA</a>	RJFRB71RA	S	Jam Nut, Right Angle RJ45, Black	29.82	28.12	27.54
<b>Accessory</b>						
<a href="#">523-RJFRBC7</a>	RJFRBC7	T	Cap for Jam Nut Receptacle - RJFRB71/RJFRB71RA	12.60	11.55	9.55



Data/Network/Telecom Amphenol