

# MOLEX QSFP+, TRIAD™, and INFINIBAND Connectors

ROHS Compliant This product is RoHS compliant.

## QSFP+ (QUAD SMALL FORM FACTOR PLUGGABLE PLUS) CONNECTORS

Molex's Quad Small Form-factor Pluggable (QSFP+) solution is designed for high-density applications.

### Features:

- AOC Low Bit Error Rate (BER) of 10e-18 errors per link
- Initial data rates up to 5 Gbps per lane, scaling up to 10Gbps per lane
- One piece, press-fit cage
- Multiple ports
- Hot-pluggable transceiver
- 0.80mm pitch connector designed for placement under guide frame



RoHS Compliant

For quantities greater than listed, call for quote.

MOUSER STOCK NO.	Molex Part No.	Fig.	Description	Price Each	
				1	5
<b>Connectors</b>					
538-76871-0006	76871-0006	A	Assembly, Stacked 2 by 1 with Elastomer Gaskets and Light Pipes, Tin	31.34	28.60
538-76870-0004	76870-0004	B	Assembly, Stacked 2 by 3 with Elastomer Gaskets and Light Pipes, Tin	104.37	95.25
<b>Cable Assemblies</b>					
538-111040-2304	111040-2304	C	3 Meter, 28 awg	137.45	114.54
538-111040-4704	111040-4704	C	7 Meter, 24 awg	264.93	220.77

### QSFP+ Active Optical Cables

538-106410-1003	106410-1003	C	3 Meter, Ribbon Cable	294.69	285.76
538-106410-1005	106410-1005	C	5 Meter, Ribbon Cable	301.74	292.60

## QSFP (QUAD SMALL FORM FACTOR PLUGGABLE) CONNECTORS

The QSFP connector, cage, cable assemblies and loopbacks are part of a highly-integrated system that combines optimal real estate, power and port density.

The QSFP Multi Source Agreement (MSA) document specifies a transceiver mechanical form factor with latching mechanism, host-board electrical edge connector and cage. The hot-pluggable transceiver integrates 4 transmit and 4 receive channels. Molex's QSFP transceiver can replace up to 4 standard SFP transceivers. The result is greater port density and overall system cost savings over traditional SFP products.

### Features and Benefits:

- EMI shielding to bezel and transceiver
- Data rates up to 5Gbps per lane
- One piece press-fit cage
- SMT connector design
- Hot pluggable transceiver
- Zinc die-cast back shells on cable plug



RoHS Compliant

For quantities greater than listed, call for quote.

MOUSER STOCK NO.	Molex Part No.	Fig.	Description	Price Each		
				1	5	10
<b>QSFP Host Receptacle</b>						
538-75586-0011	75586-0011	D	0.80mm, 38P, R/A, SMT, 30µ" Au	5.74	5.24	4.79

### QSFP Cage

538-74750-0021	74750-0021	E	Single port, EMI shield, press-fit, spring fingers	14.67	14.22	13.57
----------------	------------	---	--	-------	-------	-------

### QSFP Passive Cable Assemblies

538-74757-2101	74757-2101	C	1 meter, 28 awg	76.53	74.18	73.06
538-74757-3101	74757-3101	C	1 meter, 26 awg	77.60	75.21	74.07
538-74757-2301	74757-2301	C	3 meter, 28 awg	100.52	93.31	87.03

### QSFP Adapters

538-74763-0010	74763-0010	-	Loopback adapter, 0.0dB	70.34	68.22	67.82
538-74763-0015	74763-0015	-	Loopback adapter, 5.0dB	94.22	87.65	83.75
538-74763-0020	74763-0020	-	Loopback adapter, 0.0dB, 12C, 100 ohms	111.92	104.11	99.49
538-74763-0025	74763-0025	-	Loopback adapter, 5.0dB, 12C, 100 ohms	111.25	103.49	98.89

## TRIAD™ DIFFERENTIAL PAIR CONNECTORS

### Features and Benefits:

- Board Mount Receptacle (74960):
  - Inline SMT leads on 0.64mm (.025") pitch provide direct PCB routing
  - High cycle LFH shrouded contact system
- Cable Plug Connector (75000):
  - LFH contact design
  - Terminates to 24 to 32AWG
- Backshell Kit (75115):
  - Kit contains two-piece die cast shell and two jackscrews



RoHS Compliant

For quantities greater than listed, call for quote.

MOUSER STOCK NO.	Molex Part No.	Fig.	No. of Circuits	Description	Price Each		
					1	10	25
<b>Receptacles</b>							
538-76641-0001	76641-0001	F	18	1.27mm, Vertical, Through Hole, Press-fit pegs	13.93	12.88	12.50
538-74960-3018	74960-3018	G	18	1.27mm, right angle, SMT, Press-fit pegs	10.48	8.76	8.23
538-74960-3028	74960-3028	G	28	1.27mm, right angle, SMT, Press-fit pegs	16.95	15.50	14.01
538-74960-3048	74960-3048	G	48	1.27mm, right angle, SMT, Press-fit pegs	23.30	20.79	18.71
<b>Plugs</b>							
538-75000-1018	75000-1018	H	18	1.27mm plug, shielded	9.11	8.31	7.95
538-75000-1028	75000-1028	H	28	1.27mm plug, shielded	16.53	15.02	14.27
538-75000-1048	75000-1048	H	48	1.27mm plug, shielded	18.18	16.53	15.70
538-75115-0018	75115-0018	I	18	Plug backshell kit, black, 4-40 jackscrews	12.74	11.88	11.20
538-75115-0028	75115-0028	I	28	Plug backshell kit, black, 4-40 jackscrews	12.97	12.10	11.41
538-75115-0048	75115-0048	I	48	Plug backshell kit, black, 4-40 jackscrews	13.79	12.86	12.12

## INFINIBAND CONNECTORS AND CABLES (LANELINK™)

The InfiniBand architecture is an approach to I/O technology that was created by industry's top computer manufacturers to address the need for greater scalability, reliability, availability and performance in and around servers.

Molex's LaneLink™ 4 lane and 12 lane I/O connectors and cable assemblies incorporate an industry compatible interface compliant with InfiniBand requirements.

### Features and Benefits:

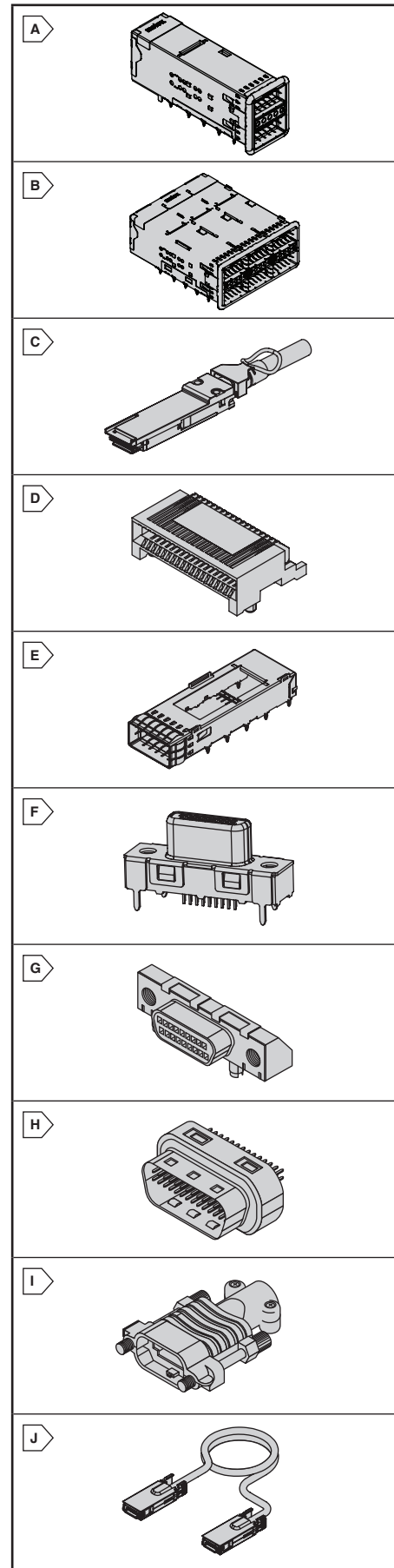
- Cable Assembly:
  - Squeeze-to-release latch provides positive latch/unlatch
  - Diecast backshell provides EMI protection
  - 100% testing to InfiniBand industry standard



RoHS Compliant

For quantities greater than listed, call for quote.

MOUSER STOCK NO.	Molex Part No.	Fig.	Description	Price Each		
				1	5	10
<b>Cable Assemblies</b>						
538-74506-3001	74506-3001	J	0.50mm, 4X, 28 AWG, 0.50 meter	69.10	67.00	66.63
538-74506-3002	74506-3002	J	0.50mm, 4X, 28 AWG, 1 meter	73.10	70.90	70.48
538-74506-3003	74506-3003	J	0.50mm, 4X, 28 AWG, 3 meter	89.08	86.40	85.89



Data/Network/Telecom  
Molex