

MOLEX SFP+, SFP and QSFP Connectors

zSFP+ SMT CONNECTORS

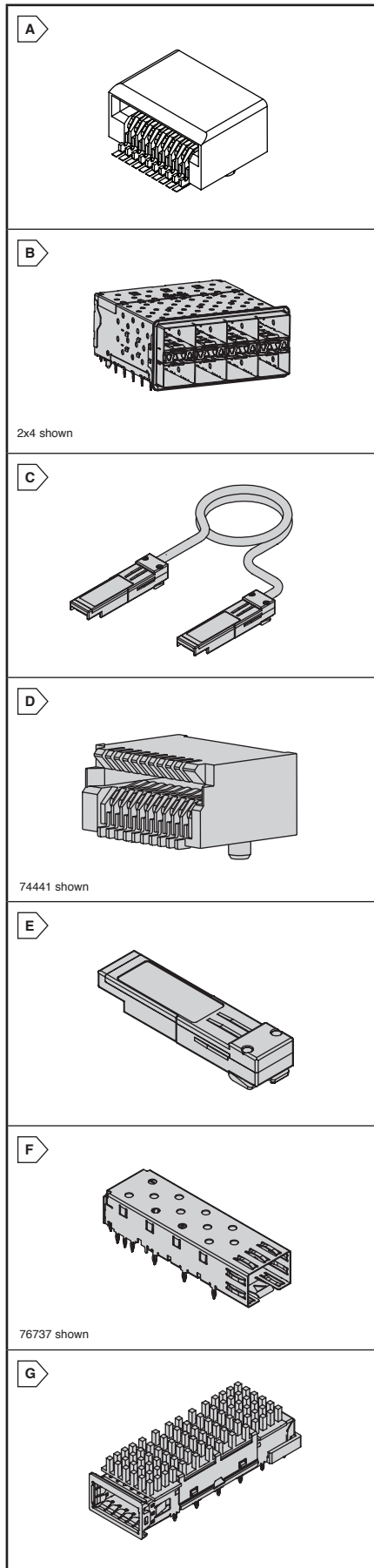
Features:

- Patent-pending preferential coupling design uses a narrow-edge, coupled blanked - and formed - contact geometry and insert molding
- High-temperature thermoplastic housing
- Backward compatible with SFP form factor
- Up to 40Gbps data rate performance
- Utilizes MSA-compliant footprint



For quantities greater than listed, call for quote.

MOUSER STOCK NO.	Molex Part No.	Fig.	Description	Price Each		
				1	10	100
538-170382-0001	170382-0001	A	ZXP zSFP+ Right Angle, SMT, 20 Circuits, 0.38µ" Au, Tin Tails	3.10	2.14	1.90
538-170382-0002	170382-0002	A	ZXP zSFP+ Right Angle, SMT, 20 Circuits, 0.76µ" Au, Tin Tails	3.31	2.90	2.58



SFP+ (SMALL FORM-FACTOR PLUGGABLE PLUS) CONNECTORS

SFP+ supports next generation speeds of standard SFP applications.



RoHS Compliant

Features and Benefits:

Stacked Multi-Port Connectors (76044,76046,76090,76092):

- Capable of handling 10Gbps data rates
- Elastomeric or metal gasket options for EMI requirements
- Integrated lightpipes
- Press-fit termination
- Stacked cages available in 2-16 ports (see Mouser Sales Rep for more info)
- Passive Cable Assembly (74752):
 - Copper cable can handle speeds up to 10Gbps
 - Re-designed pull latch enables belly-to-belly cable use
 - Improved backshell design conforms to SFP-8431 spec
 - Backwards compatible with standard SFP

For quantities greater than listed, call for quote.

MOUSER STOCK NO.	Molex Part No.	Fig.	Description	Tail Plating	Price Each		
					1	5	10
SFP+ Stacked Multi-Port Connectors							
538-76090-5001	76090-5001	B	2x1 with lightpipes, elastomeric gasket	Tin	16.10	15.61	15.15
538-76091-5001	76091-5001	B	2x2 with lightpipes, elastomeric gasket	Tin	28.42	27.57	27.47
538-76092-5001	76092-5001	B	2x4 with lightpipes, elastomeric gasket	Tin	53.03	51.43	51.13
538-76093-5001	76093-5001	B	2x5 with lightpipes, elastomeric gasket	Tin	66.31	64.31	63.93
538-76094-5001	76094-5001	B	2x6 with lightpipes, elastomeric gasket	Tin	85.00	83.47	81.00
SFP+ Passive Cable Assemblies							
538-74752-1101	74752-1101	C	1 meter, copper cable, 30awg	-	30.57	30.00	29.50
538-74752-2301	74752-2301	C	3 meter, copper cable, 28awg	-	35.88	34.80	34.68
538-74752-1301	74752-1301	C	3 meter, copper cable, 30awg	-	48.00	47.00	46.00
538-74752-4501	74752-4501	C	5 meter, copper cable, 24awg	-	65.00	64.00	63.00
538-74752-9004	74752-9004	C	10 meter, copper cable, 24awg	-	75.44	73.26	72.21
SFP+ Adapters							
538-74765-0904	74765-0904	-	Loopback adapter, 5.Odb	-	90.53	88.66	86.63
538-74765-0906	74765-0906	-	Loopback adapter, 0.Odb	-	84.68	82.13	75.27

2x4 shown

SFP (SMALL FORM-FACTOR PLUGGABLE) CONNECTORS

From single port cages and connectors to full integrated multi-port products with lightpipes, Molex offers a full range of solutions for the high port density SFP Applications.

Features and Benefits:

- Data rates up to 2.5Gbps
- All metal cage provides EMI protection
- User friendly latch design
- Single, ganged, or stacked cages
- Industry standard HSSDC2 interface

For quantities greater than listed, call for quote.

MOUSER STOCK NO.	Molex Part No.	Fig.	Description	Price Each		
				1	5	10
Receptacles						
538-74441-0001	74441-0001	D	SFP SMT recept, Right Angle, 20 pos, 15µ"Au	3.00	2.40	2.16
538-74441-0010	74441-0010	D	SFP SMT recept, Right Angle, 20 pos, 30µ"Au	3.66	3.03	2.90
538-74703-0007	74703-0007	D	HSSDC2 recept, R/A, 7 pos, InfiniBand keyed	10.63	10.31	9.83
Plugs						
538-74720-0510	74720-0510	E	SFP EMI plug	11.34	10.37	9.48
538-75951-0999	75951-0999	-	SFP dust plug	.62	.55	.50
Cages						
538-74737-0009	74737-0009	F	1 piece cage, press-fit tails	2.98	2.89	2.46
538-74737-0010	74737-0010	F	1 piece cage, solder post tails	2.98	2.56	2.46
538-74737-0016	74737-0016	F	1 piece cage, press-fit tails, for PCI applications	2.46	2.24	2.18
538-73927-0402	73927-0402	F	1x4 ganged cage, solder post tails	14.09	13.15	12.39
Adapters						
538-74720-0503	74720-0503	-	SFP Loopback adapter, 5.0dB attenuation	66.41	53.82	52.44

74441 shown

XFP CONNECTORS (Z-AXIS PLUGGABLE SOLUTIONS)

XFP represents the new 10 Gigabit Small Form Factor Pluggable system of modules and interconnects that convert serial electrical signals to external serial optical or electrical signals. The components include an industry-standard pluggable module, cage hardware and IC interfaces. The technology is designed to support 10 Gigabit Fibre Channel, 10 Gigabit Ethernet and OC192/STM-64

Molex's 30-circuit XFP host connector enables the use of emerging gigabit-speed hot-pluggable transceiver modules for horizontal, front panel access. It conforms to the host-board layout as defined in the 10 Gigabit Small Form Factor Pluggable (XFP) Multi-source Agreement (MSA) for 10-Gigabit data rates.

Features and Benefits:

- Capable of handling 10Gbps data rates
- Universal transceiver design
- EMI protection



RoHS Compliant

For quantities greater than listed, call for quote.

MOUSER STOCK NO.	Molex Part No.	Fig.	Description	Price Each		
				1	25	50
XFP Host Receptacles						
538-74441-0017	74441-0017	C	0.80mm, 30P, R/A, SMT, 30µ" Au	5.98	4.94	4.12
XFP Cage Assemblies						
538-74736-0220	74736-0220	G	Cage without heatsink or clip	15.62	15.15	13.32
538-74736-0221	74736-0221	G	Cage with PCI heatsink	27.35	26.52	24.61
538-74736-0223	74736-0223	G	Cage with TALL heatsink	28.81	27.94	25.92
XFP Cage Accessories						
538-74736-0230	74736-0230	-	Heatsink Clip	1.85	1.73	1.66
538-74736-0240	74736-0240	-	PCI Heatsink	12.52	12.39	10.39
538-74736-0241	74736-0241	-	SAN Heatsink	12.52	11.99	10.39

76737 shown

76737 shown