

FUJITSU microGiGaCN I/O Connectors

RoHS Compliant This product is RoHS compliant.

microGiGaCN HIGH SPEED I/O CONNECTORS

Designed for high speed differential signal applications such as 10G Ethernet, CX4, SAS, and SATA-2 applications. RoHS compliance per Fujitsu documentation.

Features:

- Matched Impedance: 100Ω ±10%
- Low insertion loss and low cross talk
- Adopted by InfinBand as 4x (4 channel) and 12x (12 channel) I/O Interface
- Meets Bellcore 1217
- Insulator Material: LCP Resin (UL94V-0)
- Conductor Material: Copper Alloy
- Contact Plating: Gold Plated

Specifications:

- Operating Temperature Range: -55°C to +105°C
- Current Rating: AC 0.5A (signal)
AC 1A (ground)
- Voltage Rating: AC 30V
- Contact Resistance: 80mΩ max. (signal)
35mΩ max. (ground)
- Insulation Resistance: 1000MΩ minimum



RoHS Compliant

Socket Connectors

For quantities greater than listed, call for quote.

MOUSER STOCK NO.	Fujitsu Part No.	Fig.	Polarization Posts	Solder Posts	Price Each			
					1	5	10	25
Latch Style with Alignment Post								
817-FCN-268D008-G1D	FCN-268D008-G/1D	A	---	0.063"	7.94	7.35	6.73	6.30
817-FCN-268D008-G1F	FCN-268D008-G/1F	A	---	0.093"	9.26	7.94	7.54	6.95
Latch Style with Crush Pin Feature								
817-FCN-268D008-G2D	FCN-268D008-G/2D	A	low force	0.063"	8.64	8.05	7.43	7.00
817-FCN-268D008-G2F	FCN-268D008-G/2F	A	low force	0.093"	7.94	7.35	6.73	6.30
Thumbscrew								
817-FCN-268D008-G20	FCN-268D008-G/20	B	low force	0.063"	9.02	8.35	7.64	7.16
817-FCN-268D008-G21	FCN-268D008-G/21	B	low force	0.093"	9.02	8.35	7.64	7.16
Latch Style w/ Mounting Ears								
817-FCN-268D008-G3LR	FCN-268D008-G/3L-R	C	diamond	0.063"	11.60	10.74	9.83	9.21
817-FCN-268D008-G3MR	FCN-268D008-G/3M-R	C	diamond	0.093"	11.60	10.74	9.83	9.21
Vertical Latch Style								
817-FCN-264D008-G2D	FCN-264D008-G/2D	D	low force	0.063"	11.86	10.98	10.05	9.41
817-FCN-264D008-G2F	FCN-264D008-G/2F	D	low force	0.093"	11.86	10.98	10.05	9.41

Loopback Modules

For quantities greater than listed, call for quote.

MOUSER STOCK NO.	Fujitsu Part No.	Fig.	Number of Pairs	Price Each			
				1	5	10	25
817-FCN-261Z008	FCN-261Z008	E	8	35.72	33.07	30.27	28.35

microGiGaCN STACKING MEZZANINE CONNECTORS

Features:

- High speed matched impedance (100Ω) differential signal connector.
- Low cross talk
- Hot pluggable
- Insulator: LCP Resin (UL94V-0)
- Conductor: Copper Alloy
- Contact Plating: Au over Pd-Ni plated
- RoHS compliance per Fujitsu documentation

Specifications:

- Operating Temperature Range: -55°C to +105°C
- Current Rating: AC 0.5A (signal)
AC 1A (ground)
- Voltage Rating: AC 30V
- Contact Resistance: 80mΩ max. (signal)
40mΩ max. (ground)
- Insulation Resistance: 1000MΩ minimum



RoHS Compliant

Socket Connectors

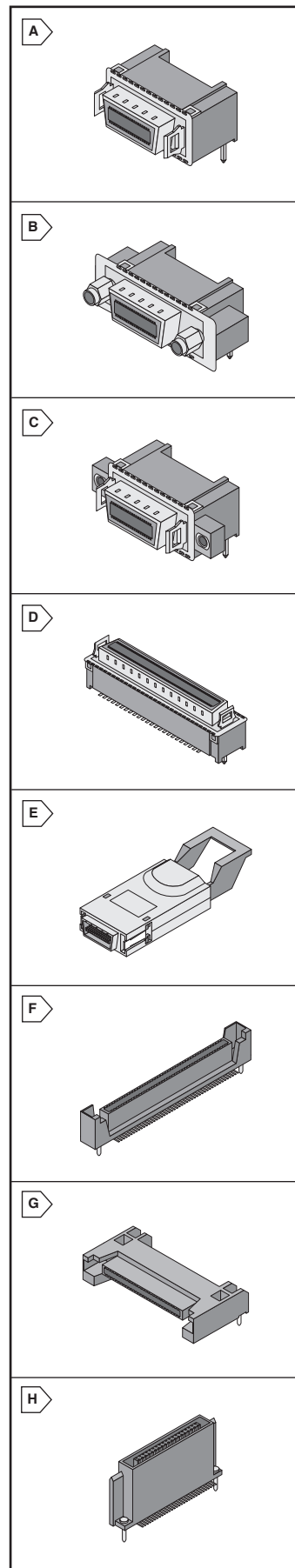
For quantities greater than listed, call for quote.

MOUSER STOCK NO.	Fujitsu Part No.	Fig.	No. of Pair Signals	No. of Contacts	Price Each			
					1	5	10	25
Vertical Mount								
817-FCN-268F012-G0D	FCN-268F012-G/0D	F	12	24 Signal/13 Ground	3.08	2.85	2.61	2.44
817-FCN-268F024-G0D	FCN-268F024-G/0D	F	24	48 Signal/25 Ground	7.66	7.09	6.49	6.08
817-FCN-268F036-G0D	FCN-268F036-G/0D	F	36	72 Signal/37 Ground	11.54	10.69	9.78	9.16
Right Angle Mount								
817-FCN-268F012-GBD	FCN-268F012-G/BD	G	12	24 Signal/13 Ground	7.42	6.87	6.29	5.89

Plug Connectors

For quantities greater than listed, call for quote.

MOUSER STOCK NO.	Fujitsu Part No.	Fig.	No. of Pairs	Stack Height	Price Each			
					1	5	10	25
Vertical Mount								
817-FCN-268M012-G0D	FCN-268M012-G/0D	H	12	8mm	5.94	5.50	5.03	4.71
817-FCN-268M012-G1D	FCN-268M012-G/1D	H	12	10mm	6.46	5.98	5.47	5.13
817-FCN-268M012-G2D	FCN-268M012-G/2D	H	12	12mm	6.68	6.19	5.66	5.30
817-FCN-268M012-G3D	FCN-268M012-G/3D	H	12	14mm	6.92	6.41	5.86	5.49
817-FCN-268M024-G0D	FCN-268M024-G/0D	H	24	8mm	9.32	8.63	7.90	7.40
817-FCN-268M024-G1D	FCN-268M024-G/1D	H	24	10mm	9.78	9.06	8.29	7.76
817-FCN-268M024-G3D	FCN-268M024-G/3D	H	24	14mm	10.68	9.89	9.05	8.48
817-FCN-268M036-G0D	FCN-268M036-G/0D	H	36	8mm	16.02	13.74	13.05	12.02
817-FCN-268M036-G3D	FCN-268M036-G/3D	H	36	14mm	15.38	14.24	13.03	12.21



Data/Network/Telecom

Fujitsu