

# MOLEX Antennas and I/O Connectors

**molex**  
one company a world of innovation

RoHS Compliant **This product is RoHS compliant.**

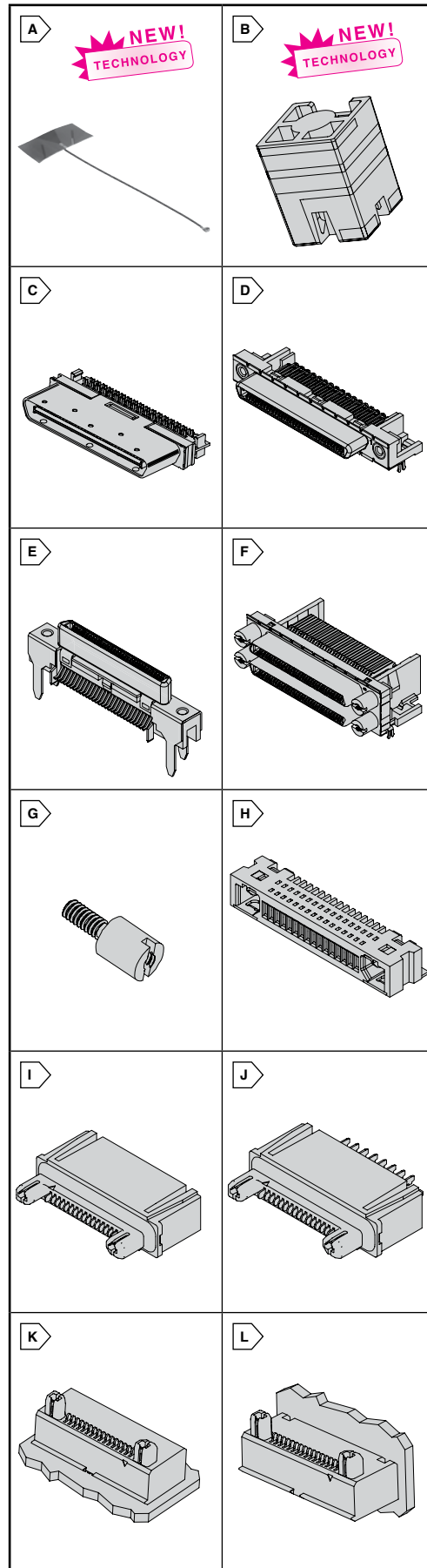
## 2.4/5 GHZ STANDALONE ANTENNAS

### Features:

- Ground-plane-independent design significantly reduces costs and engineering resources needed to tune and optimize ground-plane-dependent antennas
- High-radiation efficiency 34.9 by 9.00mm (1.37 by 0.34") version antenna offers Total Efficiency values of 75% minimum in the 2.4GHz band and 60% minimum in the 5GHz band
- Higher radiation efficiency 35.9 by 15.90mm (1.41 by 0.61") version antenna offers Total Efficiency values of 80% minimum in the 2.4GHz band and 70% minimum in the 5GHz band
- Poly-flexible, double-sided adhesive tape on antenna enables easy peel-and-stick mounting anywhere within the device casing

For quantities greater than listed, call for quote.

MOUSER STOCK NO.	Molex Part No.	Fig.	Description	Flexi-Antenna Dim. (mm)	Cable Length (mm)	Price Each			
						1	10	25	50
538-47950-2001	47950-2001	A	2.4GHz / 5GHz Wifi Stand Alone Antenna	34.90 x 9.00	200.0	5.78	5.00	4.85	4.17
538-47950-2011	47950-2011	A	2.4GHz / 5GHz Wifi Stand Alone Antenna	35.90 x 15.90	200.0	6.29	5.45	5.28	4.54



## 2.4GHZ SURFACE MOUNT DEVICE ON-GROUND ANTENNA

### Features:

- Valuable PCB real estate savings on both sides of the PCB with the use of this miniature antenna
- No removal of ground layers from beneath the antenna is needed
- Consistent antenna RF performance with the application of Laser Direct Structuring (LDS) - a technology known for its excellent precision, performance and repeatability
- The high-temperature base material and the metal plating technology employed allows the antenna to endure reflow temperatures - an ideal condition for a standard SMT process
- The product is halogen-free and RoHS-compliant

### Electrical:

- RF Power (Watt): 2
- Frequency (MHz): 2400 to 2483.5
- Return Loss - S11 (dB): < -9
- Average Total Efficiency (%): > 70s
- Peak Gain (dBi): 3.0
- Polarization: Linear
- Input Impedance (Ohms): 50

For quantities greater than listed, call for quote.

MOUSER STOCK NO.	Molex Part No.	Fig.	Description	Price Each			
				1	10	100	500
538-47948-0001	47948-0001	B	2.4 GHz SMD on Ground	1.22	1.13	1.04	.95

## 0.80MM ULTRA+™ VHDCI CONNECTOR SYSTEM

Molex's Ultra+™ VHDCI (Very High Density Cable Interconnect) connector system is a leader among the next generation of high-density I/O interconnects. These connectors are designed for high performance memory transfer applications supporting the latest SCSI-style interfaces. They offer greatly increased density compared to existing SCSI connector styles. They are also suited for other high density I/O needs.

### Features:

- Blade on beam, bullet nose lead-in
- Meets EIA, ANSI/SFF-8441 & SPI-4
- Shielded
- RoHS Compliant per Molex documentation

### Applications:

- Mainframes
- File servers
- RAID (Redundant Arrays of Inexpensive Disks)
- Tape and disk drives

For quantities greater than listed, call for quote.

MOUSER STOCK NO.	Molex Part No.	Fig.	No. of Pos.	Description	Price Each			
					1	10	25	50
<b>IDT Plug: Mates with Receptacles: 71430, 73776, and 74337</b>								
538-71425-3001	71425-3001	C	68	Vertical, shielded	10.70	9.89	8.94	8.88
<b>Receptacles: Mates with Plug: 71425-3001</b>								
538-71430-0004	71430-0004	D	68	Right-angle with enhanced shield	15.09	13.68	13.21	12.59
538-71430-0009	71430-0009	D	68	Right-angle with enhanced shield	14.52	13.06	12.56	11.89
538-71430-0268	71430-0268	D	68	Right-angle without enhanced shield	10.53	9.74	9.45	8.74
538-73776-0201	73776-0201	E	68	Vertical, shielded	22.67	21.90	21.53	20.39
538-74337-0015	74337-0015	F	136	Right-angle, shielded	33.70	29.71	29.27	27.83
538-74337-0054	74337-0054	F	136	Right-angle with enhanced shield	43.72	39.34	36.19	33.30
538-74337-0070	74337-0070	F	136	Right-angle, shielded	46.26	42.36	38.97	35.85
<b>Backshell Kit</b>								
538-73796-3001	73796-3001	-	-	Plug Backshell Kit, Black	9.32	7.41	7.19	6.35

## VHDCI Female Jackpost, M2-by-0.4mm Internal Thread

For quantities greater than listed, call for quote.

MOUSER STOCK NO.	Molex Part No.	Fig.	Description	Price Each			
				1	50	100	500
538-71433-0002	71433-0002	G	Nickel plated steel female jackpost	.86	.72	.55	.52

## HANDYLINK™ CONNECTORS

Molex's new 0.80mm (.031") pitch HandyLink™ product family of connectors, cable assemblies and accessories offers a perfect solution to any hand-held device, design, or application. The HandyLink™ family includes a right-angle SMT receptacle, a wire and PCB version of the plug, and a perpendicular or parallel mounted cradle connectors for docking applications.

### Features:

- USB 2.0 compatible with speeds up to 622Mbps
- Low profile receptacle: 3.5mm height and 21.00mm width
- Plugs feature first mate last break pins (2 and 16)
- Plugs in both wire and PCB versions
- 20,000 mating cycles
- 1.5 amps continuous per pin (up to 3 amps)
- RoHS Compliant per Molex documentation

### Applications:

- Hand held consumer devices
- Retail scanners and bar code readers
- Portable music equipment
- Mobile computing
- Navigation and GPS
- PDAs
- Cellular telephones

### Connectors

For quantities greater than listed, call for quote.

MOUSER STOCK NO.	Molex Part No.	Fig.	No. of Pos.	Description	Price Each			
					1	10	25	50
538-44828-1162	44828-1162	H	16	SMT Right-Angle Receptacle	3.58	2.96	2.60	2.46
538-45593-1600	45593-1600	I	16	Plug (PCB Version)	5.02	4.15	3.69	3.17
538-45339-1600	45339-1600	J	16	Plug (Wire Termination Version)	3.90	3.62	3.34	2.97
538-45560-0161	45560-0161	K	16	SMT Cradle Connector (Parallel to PCB)	5.51	4.55	4.42	3.80
538-45560-0160	45560-0160	L	16	SMT Cradle Connector (Perpend. to PCB)	5.51	4.55	4.42	3.80

### Cable Assemblies

For quantities greater than listed, call for quote.

MOUSER STOCK NO.	Molex Part No.	Description	Price Each			
			1	10	25	50
538-36697-0001	36697-0001	1.0m HandyLink™ to HandyLink™, Straight	28.09	22.51	19.15	15.90
538-36697-0021	36697-0021	1.0m HandyLink™ to USB, Straight	8.28	7.56	7.33	6.48
538-36697-0031	36697-0031	1.0m HandyLink™ to Pigtail, Straight	21.38	19.66	18.08	16.63