

HIROSE Micro-USB Connectors and Assemblies



RoHS Compliant This product is RoHS compliant.



MICRO-USB 3.0 CONNECTORS

- Features:**
- Data transmission speeds to 5Gbps
 - Stainless Steel shield
 - 1A current rating, current capacity increase to 900mA
 - 10,000 mating cycles
 - 30Vac voltage rating
 - Backward compatible with micro USB 2.0

- Applications:**
- Small handheld devices:
 - Medical equipment
 - Measuring equipment
 - MP3 player
 - Notebooks

For quantities greater than listed, call for quote.

MOUSER STOCK NO.	Hirose Part No.	Fig.	Description	Price Each		
				1	25	100
798-ZX360D-B-10P	ZX360D-B-10P	A	Mircor-B Receptacle, Right Angle	.48	.45	.408
798-ZX360-B-10S-UNIT	ZX360-B-10S-UNIT	B	Micro-B Plug Assembly	.80	.74	.672
798-ZX360-B-SLDA	ZX360-B-SLDA	C	Micro-B Plug Shield	1.83	1.67	1.55

MICRO-USB CONNECTORS

- Features:**
- USB 2.0 Hi-speed (480Mbps)
 - Space saving compact size
 - Various Plug and Receptacle styles

- Specifications:**
- Mating Cycles: 10,000
 - Contact Plating: Selective Gold
 - Current: 1.0A

- Applications:**
- Mobile Phones
 - Digital Cameras
 - Portable Music Players



For quantities greater than listed, call for quote.

MOUSER STOCK NO.	Hirose Part No.	Fig.	Description	Mounting Style	Termination Style	Price Each		
						1	25	100
Micro-B Type								
798-ZX62-B-5PA11	ZX62-B-5PA(11)	D	Right Angle	Bottom Mount	SMT	1.10	.80	.653
798-ZX62D-B-5P8	ZX62D-B-5P8	D	Right Angle	Bottom Mount	SMT/Thru-Hole hold down	1.37	.99	.679
798-ZX62M-B-5P01	ZX62M-B-5P(01)	D	Right Angle	Mid-Mount	SMT	1.14	.82	.672
798-ZX80-B-5P	ZX80-B-5P	B	Recept Assembly w/ Lock	Cradle Mount	Vertical Thru-Hole	1.75	1.26	1.03
798-ZX62R-B-5P	ZX62R-B-5P	E	Right Angle	Top Mount	SMT	1.60	1.15	.789
Micro-AB Type								
798-ZX62D-AB-5P8	ZX62D-AB-5P8	F	Right Angle	Bottom Mount	SMT/Thru-Hole hold down	1.48	1.07	.739
798-ZX62-AB-5PA11	ZX62-AB-5PA(11)	F	Right Angle	Bottom Mount	SMT	1.14	.82	.67
798-ZX62RD-AB-5P8	ZX62RD-AB-5P8	F	Right Angle	Top Mount	SMT/Thru-Hole hold down	1.45	1.04	.719

Plug Assemblies

For quantities greater than listed, call for quote.

MOUSER STOCK NO.	Hirose Part No.	Fig.	Description	Mounting Style	Termination Style	Price Each		
						1	25	100
Micro-B Type								
798-ZX10-B-5S-UNIT12	ZX10-B-5S-UNIT(12)	G	Plug Assembly	Right Angle Thru-Hole	PCB Wire Solder	.77	.69	.641
798-ZX20-B-5S-UNIT	ZX20-B-5S-UNIT	H	Plug Assembly	Vertical Thru-Hole	PCB Wire Solder	1.33	.96	.782
798-ZX40-B-5S-UNIT12	ZX40-B-5S-UNIT(12)	I	Plug Assembly	-	Direct Wire Solder	1.73	1.33	1.06
798-ZX64-B-5S-UNIT14	ZX64-B-5S-UNIT(14)	J	Plug Assembly	Right angle SMT	PCB Wire Solder	1.49	1.06	.875
798-ZX80-B-5S	ZX80-B-5S	K	Plug Assembly w/ Lock	Cradle Mount	Vertical Thru-Hole	1.85	1.42	1.14
798-ZX80-B-5SA	ZX80-B-5SA	K	Plug Assembly w/o Lock	Cradle Mount	Vertical Thru-Hole	1.83	1.40	1.12
Micro-A Type								
798-ZX62D-AB-5P8	ZX62D-AB-5P8	I	Right Angle	Bottom Mount	SMT/Thru-Hole hold down	1.48	1.07	.739

Plug Shielding - (Use With Plug Assemblies)

For quantities greater than listed, call for quote.

MOUSER STOCK NO.	Hirose Part No.	Fig.	Description	Style	Use with Plug	Price Each		
						1	25	100
798-ZX10-B-SLDA	ZX10-B-SLDA	L	Type B Plug Shield	Top	ZX10	.53	.24	.182
798-ZX10-SLDB3.301	ZX10-SLDB(3.3)(01)	M	Type B Plug Shield	Bottom	ZX10	.23	.15	.12
798-ZX20-B-SLDC	ZX20-B-SLDC	N	Type B Plug Shield	One piece cover	ZX20	.47	.21	.162
798-ZX40-A-SLDA	ZX40-A-SLDA	N	Type A Plug Shield	Top	ZX40	.53	.24	.182
798-ZX40-B-SLDA	ZX40-B-SLDA	N	Type B Plug Shield	Top	ZX40	.53	.24	.172
798-ZX40-SLDB	ZX40-SLDB	O	Type A / B Plug Shield	Bottom, 3.8 diameter	ZX40	.47	.21	.152
798-ZX40-SLDB3.3	ZX40-SLDB(3.3)	O	Type A / B Plug Shield	Bottom, 3.3 diameter	ZX40	.47	.21	.152
798-ZX64-B-SLDA	ZX64-B-SLDA	P	Type B Plug Shield	Top	ZX64	.41	.20	.145
798-ZX64-SLDB	ZX64-SLDB	Q	Type B Plug Shield	Bottom	ZX64	.41	.193	.142
798-ZX64-B-SLDC	ZX64-B-SLDC	R	Type B Plug Shield	One piece w/o cable clamp	ZX64	.42	.25	.195

USB Cable Assemblies

For quantities greater than listed, call for quote.

MOUSER STOCK NO.	Hirose Part No.	Fig.	Description	Cable Length	Price Each		
					1	25	100
798-ZX40A-S75STDAJ	ZX40-A-5S-75-STDAJ	-	Micro A to Standard A assembly	75mm / 2.95"	9.38	8.50	8.04
798-ZX40B5S500STDA	ZX40-B-5S-500-STDA	-	Micro B to Standard A assembly	0.5M / 1.64'	15.67	14.33	12.90
798-ZX40B5S1000STDA	ZX40-B-5S-1000-STDA	-	Micro B to Standard A assembly	1.0M / 3.28'	15.30	14.28	13.26
798-ZX40B5S1500STDA	ZX40-B-5S-1500-STDA	-	Micro B to Standard A assembly	1.5M / 4.92'	17.25	16.67	15.52

MINI-USB CONNECTORS - MINI-B TYPE

- Features:**
- USB 2.0 Hi-speed (480Mbps)
 - The plug incorporates a built-in snap-lock feature, providing tactile verification of the full and secure mating of the receptacle

- Specifications:**
- Mating Cycles: 5,000
 - Contact Plating: Gold
 - Current: 1.0A

- Applications:**
- PC Peripherals
 - Information terminals
 - PDA
 - Digital Cameras
 - Information terminals
 - Portable Music Players



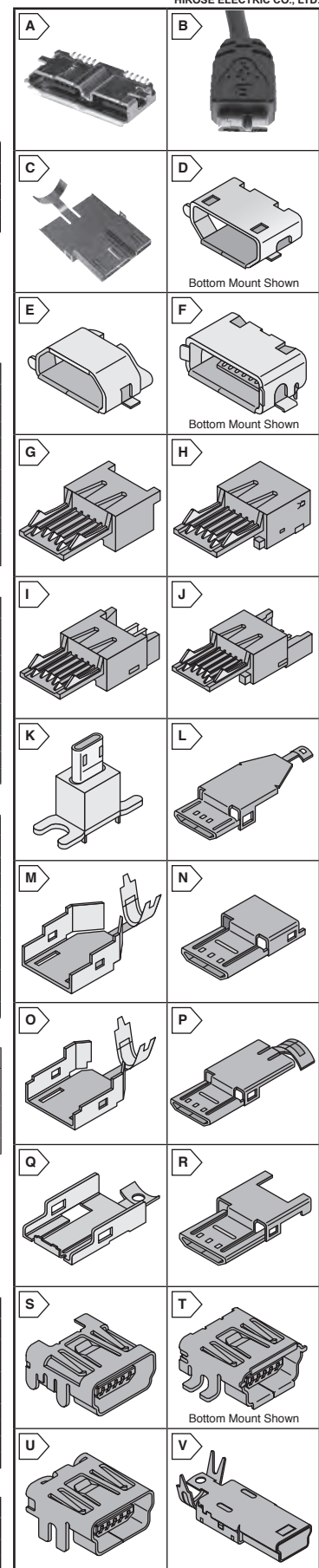
For quantities greater than listed, call for quote.

MOUSER STOCK NO.	Hirose Part No.	Fig.	Description	Mounting Style	Termination Style	Price Each		
						1	25	100
798-UX60-MB-5S8	UX60-MB-5S8	S	R/A with positioning post	Thru-Hole	Solder Dip	1.26	.90	.735
798-UX60-MB-5ST	UX60-MB-5ST	T	R/A with positioning post	Bottom Mount	SMT	1.26	.90	.735
798-UX60A-MB-5ST	UX60A-MB-5ST	T	R/A with out positioning post	Bottom Mount	SMT	1.26	.90	.735
798-UX60RA-MB-5ST	UX60RA-MB-5ST	T	Right Angle	Reverse Mount	SMT/Thru-Hole	1.48	1.12	.915
798-UX60SC-MB-5S8	UX60SC-MB-5S8	U	Right Angle	Bottom Mount	SMT/Thru-hole shell	1.37	.98	.805
798-UX60SC-MB-5ST	UX60SC-MB-5ST	T	Right Angle	Bottom Mount	SMT	1.38	.99	.799
798-UX60SC-MB-5ST80	UX60SC-MB-5ST(80)	T	Right Angle	Bottom Mount	SMT	.95	.68	.559
798-UX60SD-MB-5S55	UX60SD-MB-5S55	T	Right Angle	Mid Mount	SMT	1.31	.94	.766

Plug Assemblies

For quantities greater than listed, call for quote.

MOUSER STOCK NO.	Hirose Part No.	Fig.	Description	Mounting Style	Cable Diameter	Price Each		
						1	25	100
798-UX40-MB-5P	UX40-MB-5P	V	Straight Plug	Direct wire solder	3.5-4.0mm	1.36	.98	.807
798-UX40A-MB-5P	UX40A-MB-5P	V	Straight Plug	Direct wire solder	4.1-4.6mm	1.36	.98	.807



Data/Network/Telecom Hirose