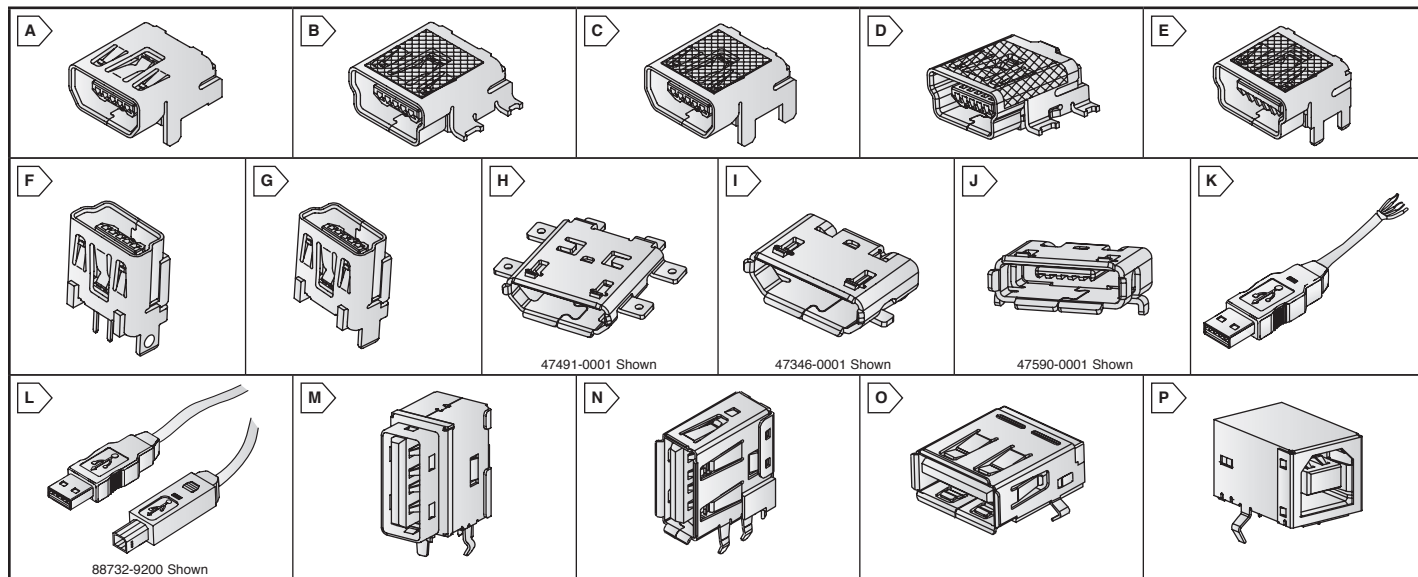


MOLEX USB Connectors and Cable Assemblies



USB ON-THE-GO (OTG) CONNECTORS AND CABLE ASSEMBLIES

Molex's new USB On-The-Go (OTG) connectors and cable assemblies help enable mobile devices such as digital cameras, PDAs, audio players, printers and cellular phones to exchange data directly without the need for a host PC. All Molex OTG connectors are compatible with the On-The-Go supplement (Rev. 1.0) to the USB 2.0 specification. Along with enabling mobile products to communicate with one another, OTG also enables mobile products to become "dual-role" devices, serving as either host or peripheral.

Features:

- Compact size for space savings
- Fully shielded for EMI/RFI protection
- Operates at speeds up to 480Mbps
- 5000 cycles for rugged durability

Specifications:

- Current: 1.0A
- Voltage Rating: 30V/Micro: 100VAC (RMS)
- Operating Temperature: 0°C to +50°C



RoHS Compliant

Mini-AB Receptacles

MOUSER STOCK NO.	Molex Part No.	Fig.	No. of Circuits	Description	Shell Tabs	Termination Type	Price Each			
							1	10	25	50
538-56579-0519	56579-0519	A	5	Right-Angle	Through-Hole	Through-Hole	2.74	2.27	2.10	1.89
538-56579-0576	56579-0576	B	5	Right-Angle	SMT	SMT	1.87	1.81	1.75	1.70

For quantities greater than listed, call for quote.

Mini-B Receptacles

MOUSER STOCK NO.	Molex Part No.	Fig.	No. of Circuits	Description	Shell Tabs	Termination Type	Price Each			
							1	10	25	50
538-54819-0519	54819-0519	A	5	Right-Angle	Through-Hole	Through-Hole	1.79	1.49	1.37	1.12
538-54819-0589	54819-0589	C	5	Right-Angle	Through-Hole	SMT	1.63	1.49	1.39	1.27
538-54819-0572	54819-0572	B	5	Right-Angle	SMT	SMT	1.72	1.50	1.38	1.27
538-67503-1020	67503-1020	D	5	Right-Angle (Back Cover)	SMT	SMT	1.63	1.26	1.10	1.06
538-51387-0578	51387-0578	E	5	Right-Angle	Through-Hole	SMT	2.08	1.73	1.66	1.44
538-500075-0517	500075-0517	F	5	Vertical	Through-Hole	Through-Hole	7.66	6.13	5.59	4.85
538-500075-1517	500075-1517	G	5	Vertical	Through-Hole	Through-Hole	4.24	3.87	3.54	3.49

For quantities greater than listed, call for quote.

Micro-USB Receptacles

MOUSER STOCK NO.	Molex Part No.	Fig.	No. of Circuits	Description	Shell Tabs	Termination Type	Max. Height (mm)	Max. Width (mm)	Max. Depth (mm)	Price Each			
										1	10	25	50
538-47491-0001	47491-0001	H	5	Right-Angle	Middle Mount	SMT	2.95	11.00	9.15	1.25	.973	.907	.823
538-47642-0001	47642-0001	H	5	Right-Angle	Middle Mount	SMT	2.95	10.20	7.25	1.06	.82	.75	.69
538-47346-0001	47346-0001	I	5	Right-Angle	Bottom Mount	SMT	2.95	8.00	5.45	1.20	1.01	.946	.859
538-105017-0001	105017-0001	I	5	Right-Angle	Bottom Mount	SMT	3.30	8.00	5.45	1.14	.88	.80	.74
538-105133-0001	105133-0001	G	5	Vertical	Through-Hole	SMT	6.70	8.00	2.90	.97	.747	.684	.628
538-47589-0001	47589-0001	J	5	Right-Angle	Bottom Mount	SMT	3.00	8.20	5.60	.93	.84	.763	.687
538-47590-0001	47590-0001	J	5	Right-Angle	Top Mount	SMT	3.35	8.00	5.80	1.11	.90	.794	.765
538-47654-0001	47654-0001	J	5	Right-Angle	Middle Mount	SMT	2.95	10.45	6.80	.83	.78	.72	.657

For quantities greater than listed, call for quote.

Cable Assemblies

MOUSER STOCK NO.	Molex Part No.	Fig.	No. of Circuits	Type	Description	Price Each			
						1	10	25	50
538-88738-8200	88738-8200	K	4	USB Type A-to-Pigtail	2.08m Length, Sub-Channel, White	2.90	2.41	2.23	2.00
538-88728-3400	88728-3400	K	4	USB Type A-to-Pigtail	2.08m Length, Full-Rated, White	3.68	3.04	2.64	2.53
538-68784-0001	68784-0001	L	-	USB Type A-to-Micro B	1 Meter Length, 28 AWG, Black	8.17	7.01	5.90	5.42
538-68784-0002	68784-0002	L	-	USB Type A-to-Micro B	1.5 Meter Length, 28 AWG, Black	6.18	5.11	4.96	4.26
538-68784-0003	68784-0003	L	-	USB Type A-to-Micro B	2 Meter Length, 28 AWG, Black	6.91	5.71	5.54	4.76
538-88732-9200	88732-9200	L	4	USB Type A-to-B	2.09m Length, Full-Rated, White	4.04	3.44	3.14	2.86

For quantities greater than listed, call for quote.

USB TYPE "A" AND "B" RECEPTACLES

The basic characteristics of all "A" and "B" receptacles are: having a metal shell to provide for excellent EMI/RFI protection, PCB hold-downs meet specifications of an electrical rating of 1.0 Amp per contact and are designed to endure at least 1,500 mating cycles.

MOUSER STOCK NO.	Molex Part No.	Fig.	No. of Circuits	Type	Description	Price Each			
						1	10	25	50
538-89485-8000	89485-8000	M	4	Type A	Single Upright, Right-Angle, Black, Gold Flash Plating	1.65	1.54	1.42	1.27
538-89485-8001	89485-8001	M	4	Type A	Single Upright, Right Angle, Black 30µ" Gold Plating	2.16	1.79	1.75	1.49
538-67329-8000	67329-8000	N	4	Type A	Single Upright, Right Angle, Gold Flash Plating	1.73	1.55	1.15	1.13
538-67643-2911	67643-2911	O	4	Type A	Right Angle, High Temperature Black nylon, 30µ" Gold Plating	2.00	1.66	1.53	1.38
538-67643-3911	67643-3911	O	4	Type A	Right Angle, High Temperature White nylon, 30µ" Gold Plating	2.10	1.93	1.78	1.62
538-67068-8000	67068-8000	P	4	Type B	Right-Angle, w/ Kinked Solder Tabs, Black, Gold Flash Plating	1.64	1.34	1.22	1.12
538-67068-8001	67068-8001	P	4	Type B	Right-Angle, w/ Kinked Solder Tabs, Black, 30µ" Gold Plating	2.05	1.70	1.65	1.42
538-67068-9000	67068-9000	P	4	Type B	Right-Angle, w/ Kinked Solder Tabs, White, Gold Flash Plating	1.67	1.33	1.23	1.13
538-67068-9001	67068-9001	P	4	Type B	Right-Angle, w/ Kinked Solder Tabs, White, 30µ" Gold Plating	1.12	1.08	1.05	1.02

For quantities greater than listed, call for quote.