

NEUTRIK OpticalCon®, EtherCon®, & Multimedia Adapters® NEUTRIK®

RoHS Compliant This product is RoHS compliant.

ETHERCON® CAT6 CONNECTORS

- Shielded system with Push Pull mating
- IDC termination without tool
- Ground lead jumper on panel connector with selectable grounding option
- Rated Current: 1.5A
- Number of contacts: 8
- Contact surface: Gold
- CAT6 specifications per TIA/EIA568B, ISO/IEC 11801, EN 50173

For quantities greater than listed, call for quote.

MOUSER STOCK NO.	Neutrik Part No.	Fig.	Description	Price Each		
				1	10	25
568-NE8FDY-C6	NE8FDY-C6	A	D-shape panel connector with nickel metal housing	27.34	24.94	22.93
568-NE8FDY-C6-B	NE8FDY-C6-B	A	D-shape panel connector with black chrome metal housing	28.89	26.36	24.23

ETHERCON® SERIES - RJ45 RECEPTACLES AND ACCESSORIES

- Rated Current: 1.5A
- Flammability: UL94V-0
- Category 5e
- Material Temperature Range: -30°C to +80°C
- Number of Contacts: 8
- Frequency Bandwidth: 1-100MHz
- Female chassis connectors are based on the current NEUTRIK® A, B & D Series of XLR receptacle
- Color coding available for both the cable carrier and receptacles for ease of identification

For quantities greater than listed, call for quote.

MOUSER STOCK NO.	Neutrik Part No.	Fig.	Description	Price Each			
				1	10	25	100
Receptacles							
568-NE8FAH	NE8FAH	B	Horizontal PCB, Plastic, XLR A Series cutout w/secure latching system	4.96	4.51	4.27	3.87
568-NE8FBH	NE8FBH	B	Hor. PCB, Nickel Ring, XLR A Series cutout w/secure latching system	5.96	5.42	4.97	4.58
568-NE8FAV	NE8FAV	C	Vertical PCB, Plastic, XLR A Series cutout w/secure latching system	4.96	4.51	4.27	3.87
568-NE8FBV	NE8FBV	C	Vert. PCB, Nickel Ring, XLR A Series cutout w/secure latching system	5.42	4.93	4.52	4.16
568-NE8FAV-YK	NE8FAV-YK	D	Panel Mnt with IDC Krone Terminals, Plastic, XLR A Series cutout	10.03	9.11	8.49	7.83
568-NEFAV-Y110	NE8FAV-Y110	D	Panel Mnt with IDC 110 Punch Down Terminals, Plastic, XLR A Series	9.35	8.69	8.41	7.83
568-NE8FDP	NE8FDP	E	Feedthrough, D-sized metal flange with secure latch system	11.37	10.33	9.98	8.88
568-NE8FDP-B	NE8FDP-B	E	Feedthrough, D-sized blk chrome metal flange with secure latch system	12.31	11.18	10.43	9.61
568-NE8FDV-Y110	NE8FDV-Y110	F	Pnl Mnt with IDC 110 Punch Down Terminals, D-sized metal flange	10.24	9.29	9.16	8.37
568-NE8FDV-Y110-B	NE8FDV-Y110-B	F	Pnl Mnt w/IDC 110 Punch Down Terminals, D-sized blk metal flange	10.28	9.97	9.49	7.94
568-NE8FAV-YK	NE8FAV-YK	F	Panel Mnt with IDC Krone Terminals, D-sized metal flange	10.73	9.74	9.16	8.37
568-NE8FDV-YK-B	NE8FDV-YK-B	F	Panel Mnt with IDC Krone Terminals, D-sized black chrome metal flange	10.28	9.97	9.50	7.94
568-NE8FBH-LED	NE8FBH-LED	G	Horizontal PCB mount RJ45, offers 2 light pipes for 3mm LEDs	8.34	7.46	6.96	6.41
568-NE8FBH-S	NE8FBH-S	H	Horizontal PCB mount RJ45 receptacle, Shielded closed metal housing	6.77	6.15	5.73	5.28
Accessories							
568-A-SCREW-1-8	A-SCREW-1-8	I	Blk self tapping PLASTITE® Screw, 2.9x8 tri-rondular config., panhead	.17	.14	.13	.12
568-E-SCREW-1-12	E-SCREW-1-12	I	Blk self tapp'g PLASTITE® Screw for EtherCon® D-shape receptacles	.26	.238	.224	.20

ETHERCON® SERIES - RJ45 CABLE CARRIERS

- Robust die-cast shell
- Electrical specs depend on type of RJ45 plugs used
- Cable O.D. Range - max. 8mm/0.315"
- Standard bushing color is black; 9 different coding colors available upon request
- Flammability: UL94V-0
- Temperature Range: -30°C to +80°C
- Consists of shell, fixing disk, chuck, bush, and boot

For quantities greater than listed, call for quote.

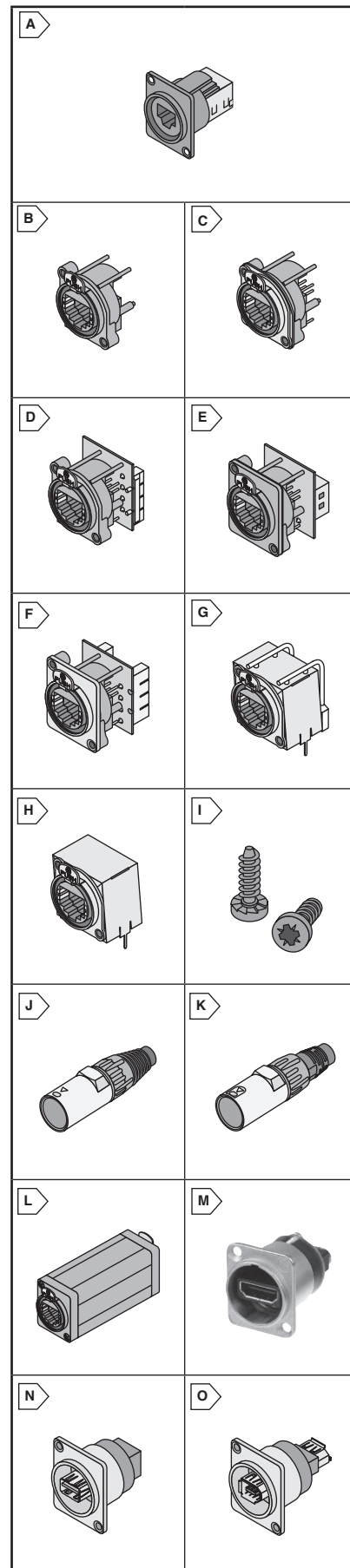
MOUSER STOCK NO.	Neutrik Part No.	Fig.	Description	Price Each			
				1	10	25	100
568-NE8MC	NE8MC	J	2 Cable protect. elements for cable diameters of up to 5 or 8mm	3.22	2.92	2.73	2.51
568-NE8MC-B	NE8MC-B	J	2 Cable protect. elements for cable diameters of up to 5 or 8mm, Blk Shell	3.65	3.32	3.08	2.84
568-NE8MC-1	NE8MC-1	K	Boot from X-Series, cable diameters from 3.5-8mm	3.24	2.94	2.70	2.47
568-NE8MC-1-B	NE8MC-1-B	K	Boot from X-Series, cable dia. from 3.5-8mm, Black Shell	3.59	3.31	3.17	2.92
568-NE8FF	NE8FF	L	Cable Coupler	19.49	17.65	16.90	15.09
568-SE8FD	SE8FD	-	D-Series EtherCon® assembly Kit for waterproof IP54 connection	3.40	3.04	2.83	2.61

HDMI / USB / FIREWIRE MULTIMEDIA ADAPTERS

- HDMI 1.3 adapter features a 19-pole HDMI connector at each end
- Reversible USB gender changer type A-B
- Firewire feedthrough with 6-pole receptacle at both ends
- Optional screen to chassis grounding
- HDMI Adapter transmits any digital TV and PC video format including high-definition video (HDTV)
- Ideal for audio networking & integration of digital equipment into audio systems
- Universally accepted standard D-shape housing

For quantities greater than listed, call for quote.

MOUSER STOCK NO.	Neutrik Part No.	Fig.	Description	Price Each			
				1	10	25	100
568-NAHDMI-W	NAHDMI-W	M	HDMI 1.3 feedthrough adapter, Nickel housing	15.74	15.13	14.06	12.90
568-NAHDMI-W-B	NAHDMI-W-B	M	HDMI 1.3 feedthrough adapter, Black housing	16.24	15.60	14.49	13.30
568-NAUSB-W-B	NAUSB-W-B	N	USB A-USB B (reversible), Black housing	6.51	6.34	5.93	5.42
568-NA1394-6	NA1394-6	O	6-pole Firewire (IEEE1394), Nickel housing	8.60	8.04	7.96	6.65
568-NA1394-6-B	NA1394-6-B	O	6-pole Firewire (IEEE1394), Black housing	9.19	8.97	8.40	7.67



Neutrik Data/Network/Telecom