

# KYCON USB Connectors



This product is RoHS compliant.

KYCON

## RIGHT ANGLE USB SOCKET CONNECTORS

### KUSB Series - Meets USB 1.1 and 2.0 Specifications

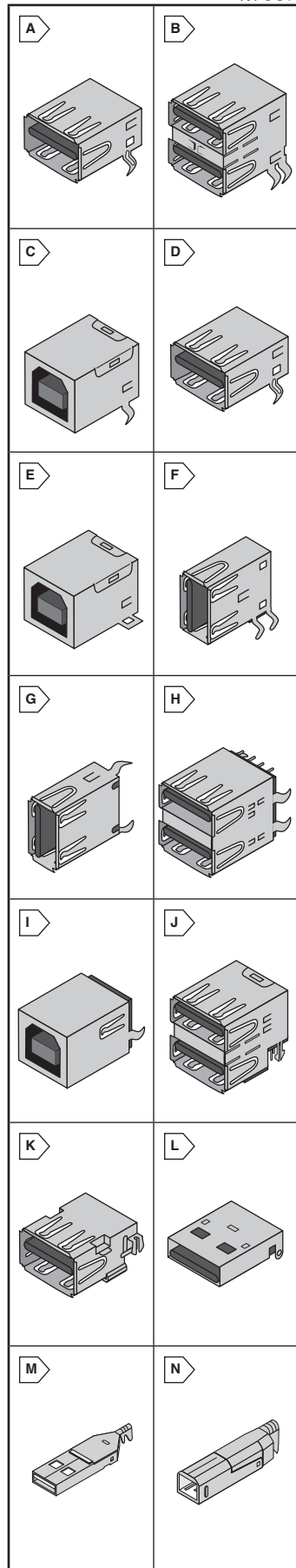
- Insulator: PCB version: PBT Thermoplastic, UL94V-0 rated
- Contact Plating: Gold over Nickel on contacts
- Contact Resistance: 15 Milliohms max.
- Contacts: Phosphor Bronze
- Operating Temperature: -25°C to +80°C
- Shell: Phosphor Bronze



RoHS Compliant

For quantities greater than listed, call for quote.

MOUSER STOCK NO.	Kycon Part No.	Fig.	Type / Plating	Insulator Color	Price Each			
					1	25	100	500
<b>PCB Mount</b>								
806-KUSBX-AS1N-B	KUSBX-AS1N-B	A	A, Gold Flash	Black	.73	.65	.49	.41
806-KUSBX-AS1N-B30	KUSBX-AS1N-B30	A	A, 30µ" Gold	Black	1.05	.92	.68	.58
806-KUSBX-AS-1N-W	KUSBX-AS1N-W	A	A, Gold Flash	White	.87	.685	.506	.412
806-KUSBX-AS1N-W30	KUSBX-AS1N-W30	A	A, 30µ" Gold	White	1.03	.90	.67	.57
806-KUSBX-AS2N-B	KUSBX-AS2N-B	B	A-Dual, Gold Flash	Black	1.41	1.23	.916	.763
806-KUSBX-AS2N-B30	KUSBX-AS2N-B30	B	A-Dual, 30µ" Gold	Black	1.87	1.46	1.04	.89
806-KUSBX-AS2N-W	KUSBX-AS2N-W	B	A-Dual, Gold Flash	White	1.19	1.05	.779	.659
806-KUSBX-AS2N-W30	KUSBX-AS2N-W30	B	A-Dual, 30µ" Gold	White	1.39	1.22	.89	.76
806-KUSBX-BS1N-B	KUSBX-BS1N-B	C	B, Gold Flash	Black	1.26	1.10	.807	.681
806-KUSBX-BS1N-B30	KUSBX-BS1N-B30	C	B, 30µ" Gold	Black	1.52	1.34	.978	.836
806-KUSBX-BS1N-W	KUSBX-BS1N-W	C	B, Gold Flash	White	1.26	1.10	.807	.693
806-KUSBX-BS1N-W30	KUSBX-BS1N-W30	C	B, 30µ" Gold	White	1.33	1.22	.892	.763
806-KUSBXHT-BS1NOHFRF	KUSBXHT-BS1N-O-HRF	C	B, High Retention	Orange	1.71	1.44	1.26	1.12
<b>Surface Mount</b>								
* 806-KUSBXSMTAS1N-B	KUSBX-SMT-AS1N-B	D	A, Gold Flash	Black	1.36	1.19	.882	.74
* 806-KUSBXSMTAS1N-W	KUSBX-SMT-AS1N-W	D	A, Gold Flash	White	1.08	.94	.69	.59
* 806-KUSBX-SMTAS1NW30	KUSBX-SMT-AS1NW30	D	A, 30µ" Gold	White	.85	.752	.69	.616
* 806-KUSBX-SMT-BS1N-B	KUSBX-SMT-BS1N-B	E	B, Gold Flash	Black	1.82	1.43	1.01	.869
* 806-KUSBX-SMTBS1NB30	KUSBX-SMT-BS1N-B30	E	B, 30µ" Gold	Black	1.97	1.57	1.35	1.18
* 806-KUSBX-SMT-BS1N-W	KUSBX-SMT-BS1N-W	E	B, Gold Flash	White	1.92	1.51	1.07	.905
* 806-KUSBX-SMTBS1NW30	KUSBX-SMT-BS1N-W30	E	B, 30µ" Gold	White	2.00	1.57	1.11	.95



Data/Network/Telecom Kycon

## VERTICAL SLIM PROFILE USB SOCKET CONNECTORS

### KUSB SL Series - Meets USB 1.1 and 2.0 Specifications

- Contact Resistance: 30 mΩ max.
- Operating Temperature: -55°C to +80°C
- Contacts: Phosphor Bronze
- RoHS Compliance per Kycon Documentation
- Contact Plating: Gold over Nickel on contacts
- Shell: Copper Alloy
- Insulator: PBT Thermoplastic
- PCB Mount
- Slim Profile



RoHS Compliant

For quantities greater than listed, call for quote.

806-KUSBX-SL-AS1NB	KUSBX-SL-AS1N-B	F	A, Gold Flash	Black	1.48	1.31	.947	.766
806-KUSBXSLAS1NB30	KUSBX-SL-AS1N-B30	F	A, 30µ" Gold	Black	1.26	.98	.699	.639
806-KUSBX-SL-AS1NW	KUSBX-SL-AS1N-W	F	A, 30µ" Gold	White	1.38	1.19	.871	.789

## VERTICAL TOP ENTRY USB SOCKET CONNECTORS

### KUSBV Series - Meets USB 1.1 and 2.0 Specifications

- Insulator: PBT Thermoplastic, UL94V-0 rated
- Contact Resistance: 15mΩ max.
- Contacts: Phosphor Bronze
- Contact Plating: Gold over Nickel on contacts
- Shell: Phosphor Bronze
- RoHS Compliance per Kycon Documentation
- PCB Mount
- Operating Temperature: -25°C to +80°C



RoHS Compliant

For quantities greater than listed, call for quote.

806-KUSBVX-AS1N-B	KUSBVX-AS1N-B	G	A, Gold Flash	Black	1.19	1.10	.802	.691
806-KUSBVX-AS1NB30	KUSBVX-AS1N-B30	G	A, 30µ" Gold	Black	1.25	1.14	.836	.729
806-KUSBVX-AS1N-W	KUSBVX-AS1N-W	G	A, Gold Flash	White	1.09	.929	.681	.586
806-KUSBVX-AS1NW30	KUSBVX-AS1N-W30	G	A, 30µ" Gold	White	1.35	1.14	.837	.73
806-KUSBVX-AS2N-W	KUSBVX-AS2N-W	H	A-Dual, Gold Flash	White	2.40	2.12	1.55	1.27
806-KUSBVX-AS-2-NBLK	KUSBVX-AS-2-NBLK	H	A-Dual, Gold Flash	Black	1.79	1.70	1.24	.989
806-KUSBVX-BS1N-B	KUSBVX-BS1N-B	I	B, Gold Flash	Black	1.63	1.42	1.05	.864
806-KUSBVX-BS1N-W	KUSBVX-BS1N-W	I	B, Gold Flash	White	1.63	1.42	1.05	.864

## LOW PROFILE RIGHT ANGLE USB SOCKET CONNECTORS

### KUSBL Series - Meets USB 1.1 and 2.0 Specifications

- Insulator: HTN Thermoplastic, UL94V-0 rated
- Operating Temperature: -55°C to +80°C
- Low Profile
- Contact Resistance: 30mΩ max.
- Contacts: Phosphor Bronze
- Contact Plating: Gold over Nickel on contacts
- Shield: Copper, Nickel plated
- RoHS Compliance per Kycon Documentation



RoHS Compliant

For quantities greater than listed, call for quote.

PCB Mount								
806-KUSBLX-AS2N-B	KUSBLX-AS2N-B	J	A-Dual, Gold Flash	Black	2.47	1.94	1.39	1.13
806-KUSBLX-AS2N-B30	KUSBLX-AS2N-B30	J	A-Dual, 30µ" Gold	Black	2.31	2.23	1.62	1.33
806-KUSBLX-AS2N-W	KUSBLX-AS2N-W	J	A-Dual, Gold Flash	White	1.26	1.12	1.01	.91
806-KUSBLX-AS2N-W30	KUSBLX-AS2N-W30	J	A-Dual, 30µ" Gold	White	2.47	1.95	1.39	1.13
Surface Mount								
* 806-KUSBLX-SMTAS1NB	KUSBLX-SMT-AS1N-B	K	A, Gold Flash	Black	1.35	1.23	.92	.75
* 806-KUSBLX-SMTAS1NW	KUSBLX-SMT-AS1N-W	K	A, Gold Flash	White	.95	.84	.75	.68

## SURFACE MOUNT TYPE A USB PLUG CONNECTORS

### KUSB-SMT2 Series

\* High Temperature Thermoplastic UL94V-0 Rated

- Insulator: PA6T Thermoplastic, UL94V-0 rated
- 4 Pin Type A plug
- Contacts: Phosphor Bronze
- Designed for use in Dongles and Adapters
- Operating Temperature: -55°C to +80°C
- RoHS Compliance per Kycon Documentation
- Contact Resistance: 30mΩ max.
- Shield: Copper, Nickel plated (shielded)



RoHS Compliant

For quantities greater than listed, call for quote.

MOUSER STOCK NO.	Kycon Part No.	Fig.	Plastic Posts (mm)	Plating	Insulator Color	Price Each			
						1	25	100	500
* 806-KUSBXSMT2AP1SB	KUSBX-SMT2AP1S-B	L	0.90	Gold Flash	Black	2.51	1.98	1.40	1.15
* 806-KUSBXST2AP1SB3	KUSBX-SMT2AP1S-B30	L	0.90	30µ" Gold	Black	1.97	1.73	1.26	1.03
* 806-KUSBX-SMT2AP1S-W	KUSBX-SMT2AP1S-W	L	0.90	Gold Flash	White	2.51	1.98	1.40	1.15
* 806-KUSBXST2AP1SW3	KUSBX-SMT2AP1S-W30	L	0.90	30µ" Gold	White	1.97	1.73	1.27	1.03
* 806-KUSBXSMT2AP5SB	KUSBX-SMT2AP5S-B	L	1.35	Gold Flash	Black	2.51	2.20	1.61	1.31
* 806-KUSBXST2AP5SW	KUSBX-SMT2AP5S-W	L	1.35	Gold Flash	White	1.47	1.29	1.16	1.05
806-KUSBX-SMT-AP	KUSBX-SMT-AP	L	-	Gold Flash	White	2.10	1.94	1.94	1.20

## USB PLUG ASSEMBLIES

### KUSB Series

- Insulator: PBT Thermoplastic, UL94V-0 rated
- RoHS Compliance per Kycon Documentation
- Insulator Color: White
- Shell: Phosphor Bronze
- Solder Cup Ends



RoHS Compliant

For quantities greater than listed, call for quote.

MOUSER STOCK NO.	Kycon Part No.	Fig.	Description	Price Each			
				1	25	100	500
806-KUSBX-AP-KITSC	KUSBX-AP-KIT-SC	M	USB A-type Plug Assembly	.94	.85	.67	.47
806-KUSBX-BP-KITSC	KUSBX-BP-KIT-SC	N	USB B-type Plug Assembly	.96	.76	.56	.47