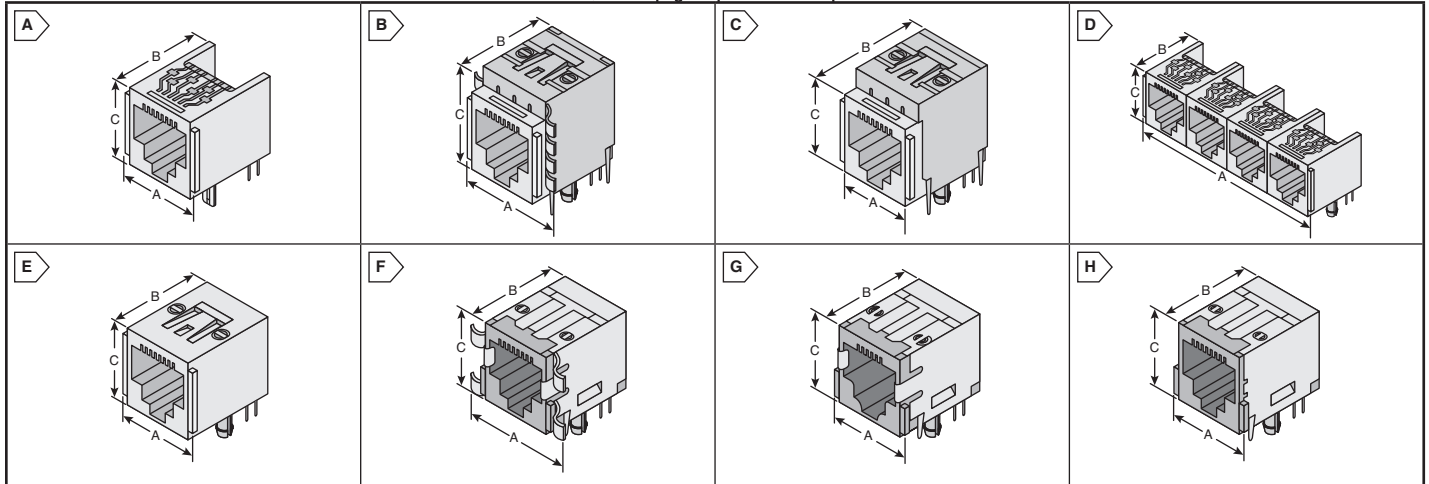


TE Modular Jacks



This page of product is compliant.



INDUCTIVE FILTERING MODULAR RJ JACKS

Features:

- Contacts Material is Phosphor Bronze with 50 microinches gold plating and 100 microinches nickel barrier underplating
- Ferrites: High resistivity, nickel zinc ceramic
- Block Filter: Multi-aperture rectangular prism
- Housing Material - Glass-filled polyester (UL94V-0)
- Shield Material - Tin-plated copper alloy
- Sleeve filter and other configurations available
- Contact a Mouser representative for more information

For quantities greater than listed, call for quote.

| MOUSER STOCK NO. | TE Part No. | Fig. | Pins | Filter Type | Shield Type | Dimensions: in. (mm) | | | Price Each | | | |
|------------------|-------------|------|------|-------------|-------------|----------------------|-------------|-------------|------------|------|------|------|
| | | | | | | A | B | C | 1 | 10 | 25 | 50 |
| 592-RJH-4L-B | RJH-4L-B | A | 4 | Block | - | .54 (13.72) | .81 (20.57) | .59 (14.99) | 4.30 | 3.92 | 3.75 | 3.53 |
| 592-RJ45-8L-B | RJ45-8L-B | A | 8 | Block | - | .70 (17.78) | .81 (20.57) | .54 (13.72) | 5.61 | 5.34 | 5.08 | 4.67 |
| 592-RJ11-4L1-B | RJ11-4L1-B | B | 4 | Block | 1 | .84 (21.34) | .86 (21.84) | .54 (13.72) | 6.94 | 6.04 | 5.38 | 4.78 |
| 592-RJ11-6L2-B | RJ11-6L2-B | C | 6 | Block | 2 | .62 (15.75) | .90 (22.86) | .54 (13.72) | 6.04 | 5.85 | 5.49 | 5.07 |

GANGED VERSION - INDUCTIVE FILTERING MODULAR RJ JACKS

Features:

- Available in RJ11 models with block inductors in gangs of 2, 4, 6
- Retrofits existing unfiltered ganged jack footprints
- Housing Material - Glass-filled polyester (UL94V-0)

For quantities greater than listed, call for quote.

| MOUSER STOCK NO. | TE Part No. | Fig. | Pins | Dimensions: in. (mm) | | | Price Each | | | |
|------------------|-------------|------|------|----------------------|--------------|-------------|------------|-------|-------|-------|
| | | | | A | B | C | 1 | 10 | 25 | 50 |
| 592-4RJ11-6L-B | 4RJ11-6L-B | D | 4 | 1.93 (49.02) | 1.81 (45.97) | .59 (14.99) | 15.89 | 15.07 | 14.41 | 13.69 |

LOW PROFILE FILTERED MODULAR RJ JACK

Features:

- Available with block or sleeve inductors and optional grounded shielding
- Sleeves is Single-aperture cylinders / Block is Multi-aperture rectangular prism
- The additional chip capacitors provide additional filtering on each line
- The series features shields with a board ground or spring finger panel interface
- Housing Material - Black glass-filled polyester (Valox 457)
- Shield Material - Tin-plated copper alloy

For quantities greater than listed, call for quote.

| MOUSER STOCK NO. | TE Part No. | Fig. | Pins | Filter Type | Shield Type | Dimensions: in. (mm) | | | Price Each | | | |
|------------------|-------------|------|------|-------------|-------------|----------------------|-------------|-------------|------------|------|------|------|
| | | | | | | A | B | C | 1 | 10 | 25 | 50 |
| 592-RJ11-6N-B | RJ11-6N-B | E | 6 | Block | - | .62 (15.75) | .71 (18.03) | .52 (13.21) | 4.35 | 3.96 | 3.78 | 3.58 |
| 592-RJ11-6N3-B | RJ11-6N3-B | F | 6 | Block | 3 | .91 (23.11) | .74 (18.80) | .55 (13.97) | 4.39 | 4.00 | 3.89 | 3.68 |
| 592-RJ11-6N4-B | RJ11-6N4-B | G | 6 | Block | 4 | .62 (15.75) | .74 (18.80) | .55 (13.97) | 4.45 | 4.18 | 3.96 | 3.69 |
| 592-RJ45-8N-B | RJ45-8N-B | E | 8 | Block | - | .91 (23.11) | .74 (18.80) | .55 (13.97) | 3.79 | 3.46 | 3.30 | 3.14 |
| 592-RJ45-8N3-B | RJ45-8N3-B | F | 8 | Block | 3 | .99 (25.15) | .74 (18.80) | .63 (16.00) | 5.39 | 5.12 | 4.86 | 4.46 |
| 592-RJ45-8N3-S | RJ45-8N3-S | F | 8 | Sleeve | 3 | .99 (25.15) | .74 (18.80) | .63 (16.00) | 5.96 | 5.57 | 5.36 | 5.10 |
| 592-RJ45-8N4-B | RJ45-8N4-B | H | 8 | Block | 4 | .70 (17.78) | .74 (18.80) | .63 (16.00) | 4.90 | 4.66 | 4.42 | 4.07 |
| 592-RJ45-8N4-S | RJ45-8N4-S | H | 8 | Sleeve | 4 | .70 (17.78) | .74 (18.80) | .63 (16.00) | 5.98 | 5.58 | 5.37 | 5.11 |

STANDARD UNFILTERED MODULAR RJ JACK

For quantities greater than listed, call for quote.

| MOUSER STOCK NO. | TE Part No. | Fig. | Pins | Filter Type | Shield Type | Dimensions: in. (mm) | | | Price Each | | | |
|-------------------------------|-------------|------|------|-------------|-------------|----------------------|-------------|-------------|------------|------|------|------|
| | | | | | | A | B | C | 1 | 10 | 25 | 50 |
| X Series | | | | | | | | | | | | |
| 592-RJ11-6X | RJ11-6X | E | 6 | Unfiltered | - | .62 (15.75) | .81 (20.57) | .52 (13.21) | 3.57 | 3.24 | 2.95 | 2.69 |
| 592-RJ45-8X | RJ45-8X | A | 8 | Unfiltered | - | .70 (17.78) | .81 (20.57) | .54 (13.72) | 2.98 | 2.76 | 2.65 | 2.48 |
| Z Series - Low Profile | | | | | | | | | | | | |
| 592-RJ45-8Z | RJ45-8Z | E | 8 | Unfiltered | - | .91 (23.11) | .74 (18.80) | .55 (13.97) | 3.99 | 3.65 | 3.33 | 3.05 |
| 592-RJ45-8Z4 | RJ45-8Z4 | H | 8 | Unfiltered | 4 | .62 (15.75) | .74 (18.80) | .55 (13.97) | 5.28 | 4.93 | 4.67 | 4.21 |