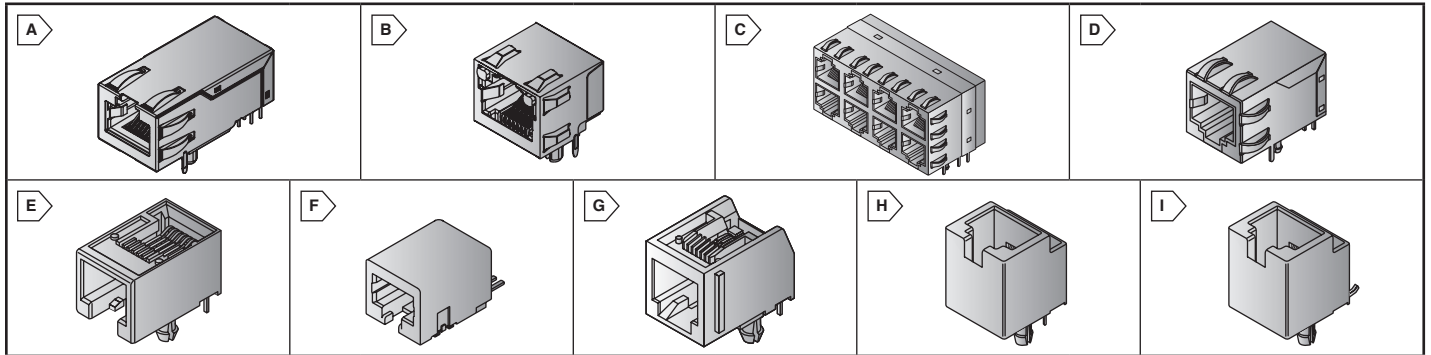


MOLEX Modular Jacks

RoHS Compliant This product is RoHS compliant.

molex
one company > a world of innovation



MAGNETIC RJ45 JACKS

- Features:**
- IEEE802.3af and IEEE802.3at compliant
 - Gigabit magnetics
 - Industry standard footprint
 - Multiple LED colors including bi-color
 - Capable of 10/100/1000Mbit transmission
 - Multiple status indicators
 - No external transformers required
 - Improved EMI performance



For quantities greater than listed, call for quote.

MOUSER STOCK NO.	Molex Part No.	Fig.	Attribute	LED Color	LED Color	Price Each			
				Right	Left	1	25	50	100
538-85793-1001	85793-1001	A	Gigabit	Green	Green	3.94	3.79	3.68	3.55
538-85793-1003	85793-1003	A	Gigabit	Green	Green / Orange	4.13	4.00	3.88	3.75
538-85793-1006	85793-1006	A	Gigabit	Yellow	Green	3.94	3.79	3.68	3.55
538-85793-1007	85793-1007	A	Gigabit	Green	Green / Yellow	4.13	4.00	3.88	3.75
538-85793-1012	85793-1012	A	Gigabit	Green	Yellow / Green	4.13	4.00	3.88	3.75
538-85793-1013	85793-1013	A	Gigabit	Yellow / Green	Yellow / Green	3.94	3.79	3.68	3.55
538-85793-1020	85793-1020	A	Gigabit	No LED	No LED	3.62	3.49	3.38	3.26
538-85789-1001	85789-1001	A	Gigabit PoE+ Enabled	Green	Green	20.78	18.18	14.54	13.22
538-85789-1003	85789-1003	A	Gigabit PoE+ Enabled	Green	Green / Orange	20.51	17.94	14.36	13.05
538-85789-1006	85789-1006	A	Gigabit PoE+ Enabled	Yellow	Green	11.02	10.69	10.04	9.74

RIGHT-ANGLE MODULAR JACKS

- Features and Specifications:**
- Voltage: 125V
 - Current: 1.5A max.
 - Operating Temperature: -40°C to +80°C

RoHS Compliant per Molex documentation

For quantities greater than listed, call for quote.

MOUSER STOCK NO.	Molex Part No.	Fig.	Positions-Contacts	Description	Overall Length: mm (in.)	First-to-Last Circuit: mm (in.)	Price Each			
							1	25	50	100
Low Profile, Inverted with Lightpipes										
538-43860-0007	43860-0007	B	8/8	Unshielded	15.75 (.620)	7.11 (.280)	1.59	1.40	1.25	.983
538-43860-0010	43860-0010	B	8/8	Shielded	16.38 (.645)	7.11 (.280)	2.83	2.53	2.23	1.78
High Speed, Stacked, Multi-Port with Lightpipes										
538-44170-0001	44170-0001	C	8/8	Shielded	59.18 (2.33)	8.89 (.350)	32.51	29.89	28.26	23.16
Low Profile, Inverted										
538-43860-0002	43860-0002	B	6/6	Unshielded	15.75 (.620)	5.08 (.200)	.92	.854	.671	.574
538-43860-0001	43860-0001	B	8/8	Unshielded	15.75 (.620)	7.11 (.280)	1.14	.88	.753	.677
538-43860-0014	43860-0014	B	6/6	Shielded with All Panel Grounding Tabs	16.38 (.645)	5.08 (.200)	2.27	2.03	1.79	1.42
538-43860-0013	43860-0013	B	8/8	Shielded with All Panel Grounding Tabs	16.38 (.645)	7.11 (.280)	2.38	2.01	1.87	1.54
538-43860-0005	43860-0005	B	6/6	Shielded with Offset Panel Grounding Tabs	16.38 (.645)	5.08 (.200)	2.26	2.03	1.79	1.42
538-43860-0004	43860-0004	B	8/8	Shielded with Offset Panel Grounding Tabs	16.38 (.645)	7.11 (.280)	2.55	2.26	2.04	1.71
Low Profile										
538-43202-4101	43202-4101	D	4/4	Unshielded	11.18 (.440)	3.81 (.150)	1.09	1.03	.929	.722
538-43202-6101	43202-6101	D	6/6	Unshielded	13.21 (.520)	6.35 (.250)	1.19	1.14	1.01	.772
538-43202-8104	43202-8104	D	8/8	Unshielded	15.24 (.600)	8.89 (.350)	1.11	.98	.869	.72
538-43202-8817	43202-8817	D	8/8	Shielded with Top Panel Grounding Tabs	15.85 (.624)	8.89 (.350)	2.76	2.38	2.20	1.69
538-95501-2441	95501-2441	E	4/4	Unshielded	11.18 (.440)	3.81 (.150)	1.06	.83	.74	.67
538-95501-2641	95501-2641	E	6/4	Unshielded	13.21 (.520)	3.81 (.150)	.98	.952	.832	.748
538-95501-2661	95501-2661	E	6/6	Unshielded	13.21 (.520)	6.35 (.250)	.88	.84	.753	.646
538-95501-2881	95501-2881	E	8/8	Unshielded	15.24 (.600)	8.89 (.350)	1.15	.81	.75	.68
Low Profile, SMT										
538-95501-6669	95501-6669	E	6/6	Unshielded	13.21 (.520)	6.35 (.250)	1.48	.99	.97	.87
538-95501-6889	95501-6889	E	8/8	Unshielded	15.24 (.600)	8.89 (.350)	1.28	1.16	1.01	.784
Low Profile, SMT with Flush Fitting Nails										
538-44144-0005	44144-0005	F	6/6	Unshielded	13.21 (.520)	6.35 (.250)	2.09	1.60	1.37	1.12
538-44144-0003	44144-0003	F	8/8	Unshielded	15.24 (.600)	8.89 (.350)	1.46	1.32	1.26	1.13
Standard Profile										
538-95009-2881	95009-2881	G	8/8	Unshielded, Flush Mount	15.24 (.600)	8.89 (.350)	.96	.91	.805	.657
538-95009-2447	95009-2447	G	4/4	Unshielded, Flangeless	11.18 (.440)	3.81 (.150)	1.23	1.10	1.04	.997
538-95009-2647	95009-2647	G	6/4	Unshielded, Flangeless	13.21 (.520)	3.81 (.150)	.76	.68	.657	.625
538-95009-2887	95009-2887	G	8/8	Unshielded, Flangeless	15.24 (.600)	8.89 (.350)	1.03	.95	.903	.869

VERTICAL MODULAR JACKS

- Features:**
- Industry compatible
 - Foot patterns identical to industry standard jacks
 - High reliability, square contact
 - Low profile 12.70mm (0.5")

- Specifications:**
- Voltage: 125V
 - Current: 1.5A
 - Housing (95003-2xxx): Black Polyester, UL 94V-0
 - Housing (95003-6xxx): Black Polyamide, UL 94V-0

- Contact: Phosphor Bronze
- Operating Temperature: -40°C to +80°C

For quantities greater than listed, call for quote.

Standard Profile with Small Panel Cutout										
538-95503-2441	95503-2441	H	4/4	Unshielded	11.18 (.440)	3.81 (.150)	1.70	1.30	1.17	1.04
538-95503-2661	95503-2661	H	6/6	Unshielded	13.21 (.520)	6.35 (.250)	1.56	1.40	1.25	1.02
538-95503-2881	95503-2881	H	8/8	Unshielded	15.24 (.600)	8.89 (.350)	.91	.837	.703	.559
Standard Profile, SMT with Small Panel Cutout										
538-95503-6671	95503-6671	I	6/6	Unshielded	13.21 (.520)	6.35 (.250)	1.24	1.09	.953	.763
538-95503-6891	95503-6891	I	8/8	Unshielded	15.24 (.600)	8.89 (.350)	1.21	1.07	.975	.749