

AMPHENOL Modular Jacks

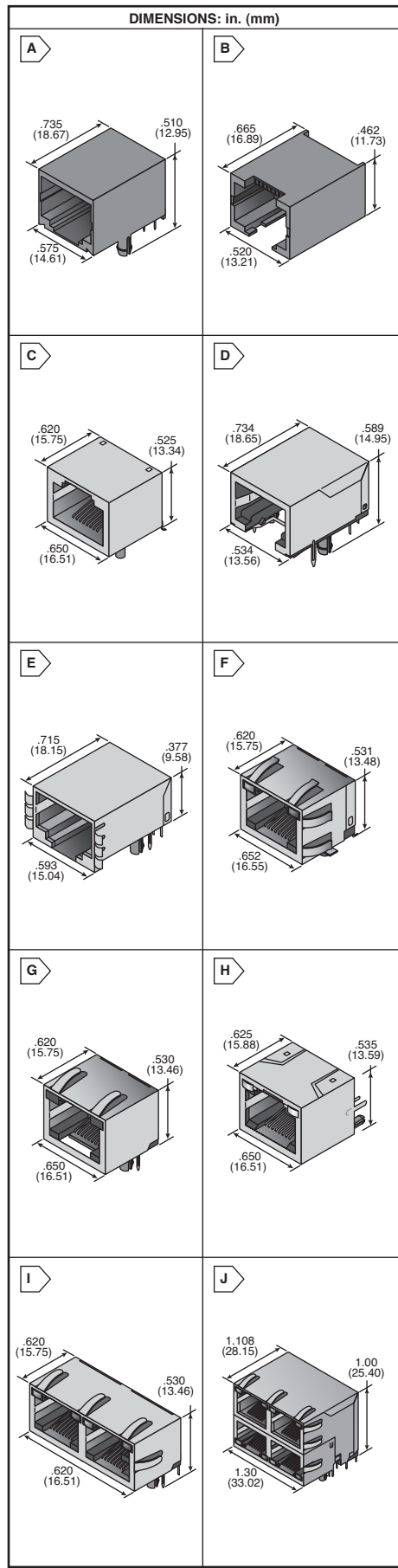
RoHS Compliant This product is RoHS compliant.

RJ45 AND RJ11 MODULAR JACKS



For quantities greater than listed, call for quote.

MOUSER STOCK NO.	Amphenol Part No.	Fig.	Description	No. of Pos.	Price Each			
					1	10	50	100
523-FRJAE-448	FRJAE-448	A	RJ45 Filtered Only	4	1.95	1.73	1.50	1.38
523-FRJAE-468	FRJAE-468	A	RJ45 Filtered with Rear Tab Shield	4	1.73	1.47	1.36	1.28
523-FRJAE-438	FRJAE-438	A	RJ45 Shielded with Front Tab	4	1.98	1.77	1.61	1.49
523-FRJAE-418	FRJAE-418	A	RJ45 Filtered with Front Tab Shield	4	2.35	2.16	1.97	1.81
523-FRJAE-408	FRJAE-408	A	RJ45 Non-Filtered & Non-Shielded	4	1.19	1.10	1.02	.947
523-FRJAE-488	FRJAE-488	A	RJ45 Shielded Only with Rear Tab	4	2.03	1.85	1.68	1.55
523-FRJAE-666	FRJAE-666	A	RJ11 Filtered with Rear Tab Shield	6	1.72	1.53	1.38	1.28
Low Profile SMT Series								
523-RJLSE-62061-01T	RJLSE-62061-01T	B	RJ11 Non-Shielded	6	1.00	.83	.778	.694
523-RJLSE-62361-01T	RJLSE-62361-01T	B	RJ11 Shielded with PCB Tail	6	.79	.72	.66	.61
523-RJLSE-42081-01T	RJLSE-42081-01T	B	RJ45 Non-Shielded	8	1.14	1.02	.956	.811
523-RJLSE-42381-01T	RJLSE-42381-01T	B	RJ45 Shielded with PCB Tail	8	1.06	.96	.84	.825
SMT								
523-RJSSE5080	RJSSE5080	C	RJ45 Non-Shielded Single Port	8	1.17	1.06	.965	.896
523-RJSSE5380	RJSSE5380	C	RJ45 Shielded Single Port	8	1.50	1.36	1.25	1.15
523-RJSSE5381	RJSSE5381	C	RJ45 Shlded Single Port w/Light Pipe	8	1.60	1.47	1.33	1.24
High Temp Thermoplastic Ultra Low Profile								
523-RJE05-188-1310	RJE05-188-1310	D	RJ45 Shielded Single Port	8	1.54	1.40	1.18	1.16
523-RJE05-188-0310	RJE05-188-0310	D	RJ45 Non-Shielded Single Port	8	1.22	1.11	1.01	.949
523-RJE05-166-1310	RJE05-166-1310	D	RJ11 Shielded Single Port	6	1.08	1.00	.933	.872
523-RJE05-166-0310	RJE05-166-0310	D	RJ11 Non-Shielded Single Port	6	1.11	1.01	.929	.861
Ultra Low Profile								
523-RJULE-42182-01	RJULE-42182-01	E	RJ45 9.58mm Profile Shielded	8	1.60	1.44	1.31	1.20



RJ45 AND RJ11 MODULAR JACKS WITH LEDS

For quantities greater than listed, call for quote.

MOUSER STOCK NO.	Amphenol Part No.	Fig.	LED 2 Color	LED 1 Color	# of Ports	No. of Pos.	Price Each			
							1	10	50	100
RJ45 Shielded EMI Quiet Inverted SMT with LED Option										
523-RJCSE-5380-01	RJCSE-5380-01	F	---	---	1	8	1.25	1.13	1.03	.97
523-RJCSE-5381-01	RJCSE-5381-01	F	Yellow	Green	1	8	1.35	1.23	1.12	1.05
523-RJCSE-5385-01	RJCSE-5385-01	F	Green	Green	1	8	1.35	1.23	1.12	1.05
RJVISTA® Non-shielded CAT 5E EMI Quiet with LED Option										
523-RJHSE-5080	RJHSE-5080	G	---	---	1	8	.68	.62	.578	.528
523-RJHSE-5081	RJHSE-5081	G	Yellow	Green	1	8	1.07	.96	.854	.788
523-RJHSE-5084	RJHSE-5084	G	Green	Yellow	1	8	1.09	.98	.913	.855
523-RJHSE-5085	RJHSE-5085	G	Green	Green	1	8	1.22	1.10	1.00	.907
RJVISTA® Shielded CAT 5E EMI Quiet with LED Option										
523-RJHSE-5380	RJHSE-5380	G	---	---	1	8	1.07	.977	.962	.875
523-RJHSE-5381	RJHSE-5381	G	Yellow	Green	1	8	1.23	1.07	.957	.858
523-RJHSE-5382	RJHSE-5382	G	---	Green	1	8	1.67	1.52	1.39	1.30
523-RJHSE-5384	RJHSE-5384	G	Green	Yellow	1	8	1.39	1.25	1.13	1.06
523-RJHSE-5385	RJHSE-5385	G	Green	Green	1	8	1.53	1.36	1.25	1.17
523-RJHSE-538A	RJHSE-538A	G	Grn/Yel	Grn/Yel	1	8	2.85	2.60	2.36	2.17
523-RJHSE-538B	RJHSE-538B	G	Red/Grn	Red/Grn	1	8	2.67	2.43	2.23	2.04
RJVISTA® Vertical Mount Shielded CAT 5E EMI Quiet with LED Option										
523-RJHSE-3380	RJHSE-3380	H	---	---	1	8	1.99	1.83	1.67	1.54
523-RJHSE-3381	RJHSE-3381	H	Yellow	Green	1	8	2.48	2.26	2.05	1.89
523-RJHSE-3384	RJHSE-3384	H	Green	Yellow	1	8	2.27	2.06	1.87	1.73
523-RJHSE-3385	RJHSE-3385	H	Green	Green	1	8	2.48	2.26	2.05	1.89
523-RJHSE-338A	RJHSE-338A	H	Grn/Yel	Grn/Yel	1	8	3.74	3.40	3.12	2.87
RJVISTA® Vertical Mount Non-shielded CAT 5E EMI Quiet with LED Option										
523-RJHSE-3080	RJHSE-3080	H	---	---	1	8	1.52	1.38	1.25	1.15
523-RJHSE-3081	RJHSE-3081	H	Yellow	Green	1	8	1.91	1.75	1.59	1.46
523-RJHSE-3085	RJHSE-3085	H	Green	Green	1	8	1.74	1.60	1.45	1.33
RJVISTA® Vertical Mount Shielded CAT 5E EMI Quiet with LED Option										
523-RJHSE-5381-02	RJHSE-5381-02	I	Yellow	Green	2	8	4.11	3.70	3.37	2.94
523-RJHSE-5381-03	RJHSE-5381-03	I	Yellow	Green	3	8	4.63	4.05	3.60	3.24
523-RJHSE-5381-04	RJHSE-5381-04	I	Yellow	Green	4	8	5.94	4.86	4.42	3.85
523-RJHSE-5384-02	RJHSE-5384-02	I	Green	Yellow	2	8	3.65	3.32	3.04	2.82
523-RJHSE-5384-04	RJHSE-5384-04	I	Green	Yellow	4	8	4.53	4.10	3.78	3.50
523-RJHSE-5384-08	RJHSE-5384-08	I	Green	Yellow	8	8	10.27	9.49	8.52	7.95
523-RJHSE-5385-02	RJHSE-5385-02	I	Green	Green	2	8	3.82	3.49	3.17	2.93
RJVISTA® Shielded and Stacked CAT 5E EMI Quiet Multiple Ports with LED Option										
523-RJSAE-5380-02	RJSAE-5380-02	J	---	---	2	8	2.42	2.20	2.01	1.86
523-RJSAE-5381-02	RJSAE-5381-02	J	Yellow	Green	2	8	6.13	5.49	4.62	4.24
523-RJSAE-5384-02	RJSAE-5384-02	J	Green	Yellow	2	8	5.32	4.82	4.43	4.10
523-RJSAE-5385-02	RJSAE-5385-02	J	Green	Green	2	8	6.44	5.68	4.91	4.50
523-RJSAE-538A-02	RJSAE-538A-02	J	Grn/Yel	Grn/Yel	2	8	7.35	6.68	5.87	5.26
523-RJSAE-5380-04	RJSAE-5380-04	J	---	---	4	8	7.71	7.00	6.16	5.51
523-RJSAE-5381-04	RJSAE-5381-04	J	Yellow	Green	4	8	9.84	9.82	8.41	7.50
523-RJSAE-538A-04	RJSAE-538A-04	J	Grn/Yel	Grn/Yel	4	8	11.37	10.51	9.43	8.80
523-RJSAE-5380-08	RJSAE-5380-08	J	---	---	8	8	12.94	11.96	10.73	10.02
523-RJSAE-5381-08	RJSAE-5381-08	J	Yellow	Green	8	8	14.16	13.31	12.07	11.66
523-RJSAE-5385-08	RJSAE-5385-08	J	Green	Green	8	8	15.59	14.66	13.28	12.82
523-RJSAE-538A-08	RJSAE-538A-08	J	Grn/Yel	Grn/Yel	8	8	18.31	17.23	15.61	14.81

Data/Network/Telecom

Amphenol