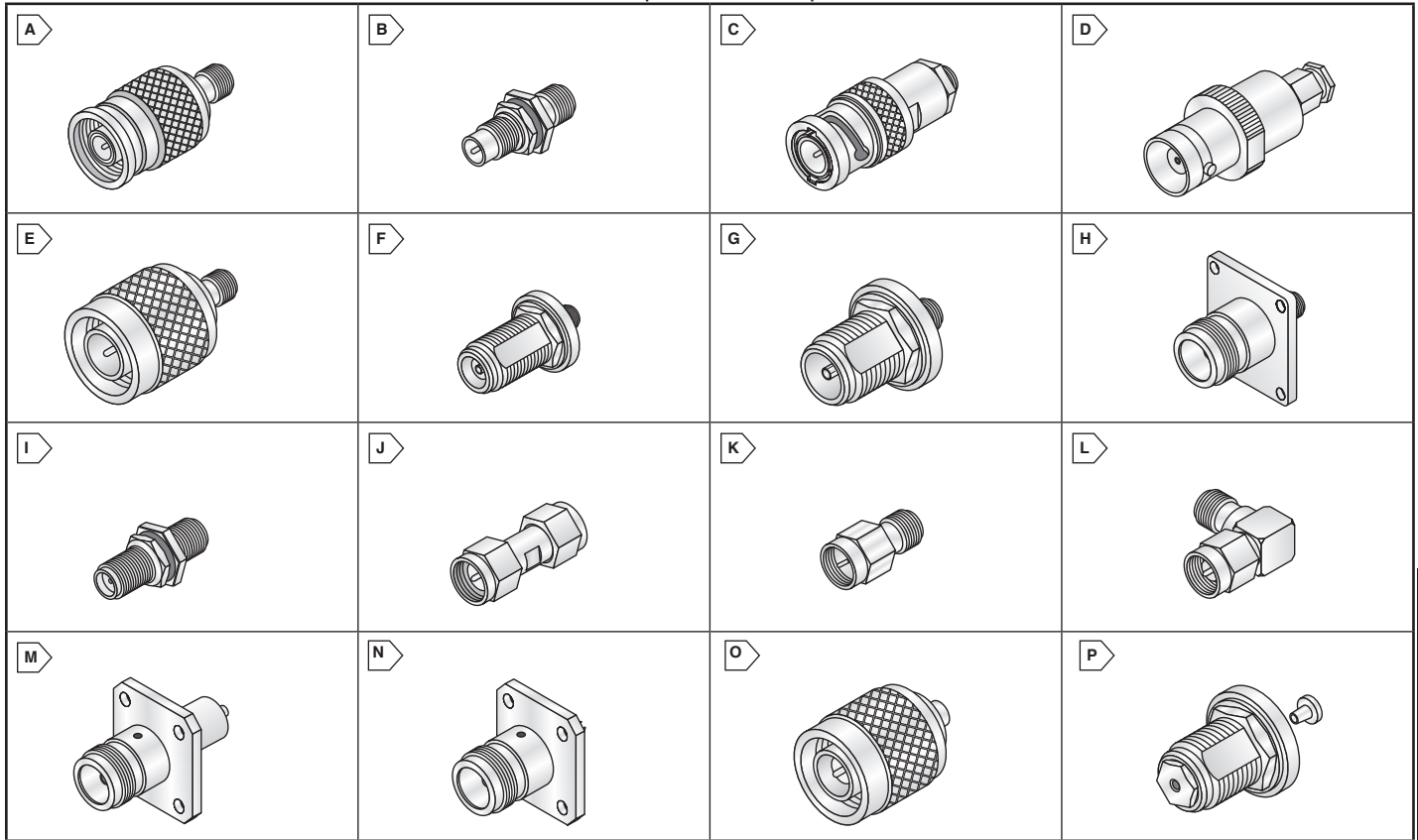


TE RF Connectors

RoHS Compliant This product is RoHS compliant.

TE Authorized Distributor
connectivity



RF Connectors

BETWEEN SERIES ADAPTERS

Between Series Coaxial Transmission Line Adapters provide convenient transitions between popular series coaxial connectors. The adapter design provides a minimum length consistent with good electrical performance. The small size, low VSWR, and broad frequency coverage permits a wide range of applications in both measurement and systems use.

MOUSER STOCK NO.	TE Part No.	Fig.	Description	M/A-Com Model No.	Price Each		
					1	5	10
571-3182-2240-00	1057853-1	A	TNC Plug - SMA Jack	3182-2240-00	54.98	52.50	50.02
571-4585-2240-02	1059756-1	B	SMA 18 GHz Jack - OSP Bulkhead Plug	4585-2240-02	34.07	33.15	31.42
571-3282-2240-00	1058081-1	C	SMA Jack - BNC Plug	3282-2240-00	61.89	55.70	52.61
571-3282-2241-00	1058083-1	D	SMA Plug - BNC Jack	3282-2241-00	49.29	43.44	42.70
571-3082-2240-00	1057377-1	E	SMA Jack - N Series Plug	3082-2240-00	50.67	49.19	47.79
571-3184-2240-00	1057908-1	F	SMA Jack - TNC Bulkhead Jack	3184-2240-00	84.52	81.98	79.89
571-3084-2240-00	1057463-1	G	SMA 15 GHz - N Series Bulkhead Jack	3084-2240-00	73.34	71.20	69.41
571-3684-2240-00	1058675-1	G	SMA 18 GHz Jack - N Series Bulkhead	3684-2240-00	95.50	92.10	87.50
571-3080-2242-00	1057343-1	H	SMA Jack - N Series Flange Mount	3080-2242-00	79.45	73.61	71.26

For quantities greater than listed, call for quote.

SMA IN-SERIES ADAPTERS

Designed for performance to 18 GHz to satisfy the growing demand for SMA connectors in the wireless communications industry. The SMA product line offers stainless steel bodies, as well as non-ferrous metals. The SMA series meets the performance, quality and application requirements of the commercial marketplace.

MOUSER STOCK NO.	TE Part No.	Fig.	Description	M/A-Com Model No.	Price Each			
					1	5	10	25
571-2084-0000-02	1054869-1	I	SMA Jack to Jack Bulkhead Feed Through	2084-0000-02	20.00	19.55	18.25	17.20
571-2081-0000-02	1053635-1	J	SMA Plug to Plug	2081-0000-02	20.38	19.23	17.88	16.83
571-2082-5133-02	1054426-1	K	SMA Plug to Jack Connector Saver	2082-5133-02	23.84	22.70	20.43	19.29
571-2088-1230-02	1055070-1	L	SMA Right Angle Plug to Jack	2088-1230-02	31.60	28.43	26.86	25.28

For quantities greater than listed, call for quote.

N SERIES CONNECTORS

A medium size connector series for Cellular and PCS Base Stations, telephone, broadcast and high power applications. Its high performance thru 11 GHz and threaded coupling makes it highly suited for critical applications and environments.

MOUSER STOCK NO.	TE Part No.	Fig.	Description	M/A-Com Model No.	Price Each			
					1	5	10	25
571-3052-1201-10	1057290-1	M	Panel Jack, Solder, Brass	3052-1201-10	19.58	18.11	17.02	16.83
571-3052-0000-10	1057284-1	N	Panel Jack, Solder, Stainless Steel	3052-0000-10	17.31	16.71	15.77	14.86
571-3001-7941-00	1057088-1	O	Straight Plug RG/402, Solder	3001-7941-00	26.45	23.79	22.49	21.18
571-3004-7388-10	1057140-1	P	Straight Bulkhead Jack RG/174	3004-7388-10	37.22	33.50	31.63	31.18

For quantities greater than listed, call for quote.

TE Connectivity