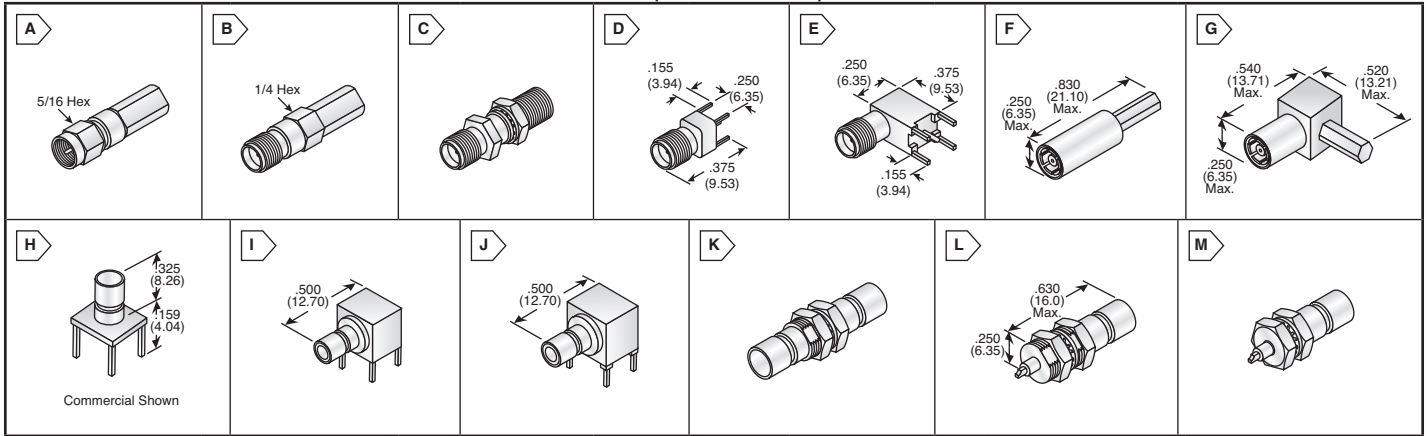


TE SMA and SMB Connectors

RoHS Compliant This product is RoHS compliant.



DIMENSIONS: mm (in.)

SMA CONNECTORS

Crimp Connectors

- Features:**
 • Center Contacts • Body Material: Brass • Body Finish: Nickel

For quantities greater than listed, call for quote.

MOUSER STOCK NO.	TE Part No.	Fig.	Description	Cable Type RG/U	Price Each			
					1	10	25	100
571-5447647-3	5447647-3	A	Plug, Hex Crimp	174, 174A, 188, 188A, 316	5.00	4.30	3.80	3.42
571-5447648-3	5447648-3	B	Jack, Hex Crimp	174, 174A, 188, 188A, 316	7.25	6.23	5.50	5.24

Bulkhead Jack & Adapter

- Features:**
 • Body Material: Stainless Steel • Body Finish: Passivated • Center Contact Material: Beryllium Copper • Center Contact Plating: Gold

For quantities greater than listed, call for quote.

MOUSER STOCK NO.	TE Part No.	Fig.	Description	Cable Type RG/U	Price Each			
					1	10	25	100
571-2216431	221643-1	C	Bulkhead Jack Adapter (Jack-Jack), front & rear mount	-----	20.95	18.67	17.88	16.21

PC Board Jacks

- Features:**
 • Center Contact Material: Beryllium Copper • Center Contact Plating: Gold • Dielectric: Teflon • Gasket Material: Silicone Rubber

For quantities greater than listed, call for quote.

MOUSER STOCK NO.	TE Part No.	Fig.	Description	Material and Finish	Price Each			
					1	10	25	100
571-221789-1	221789-1	D	Vertical	Brass and Gold	10.90	10.42	9.48	8.76
571-221790-1	221790-1	E	Right Angle	Stainless Steel and Gold	20.80	17.88	15.80	14.14

SMB PLUGS - 50 OHM

- Specifications:**
 • Center Contact: Gold • 50 Ohm • TEFLON • Outer Contact: Gold • Other Metal Parts: Listed Below

For quantities greater than listed, call for quote.

MOUSER STOCK NO.	TE Part No.	Fig.	Description	Style	Cable Type RG/U	Price Each			
						1	10	25	100
571-4139856	413985-6	F	Nickel	Mil	178, 178A, 178B, 196, 196A	6.84	6.16	5.42	4.66
571-4139851	413985-1	F	Gold	Mil	174, 316, 188, 188A	7.30	6.99	6.38	5.77
571-4139853	413985-3	F	Nickel	Mil	174, 316, 188, 188A	6.70	6.41	5.62	4.54
571-4140021	414002-1	G	Right Angle, Gold	Mil	174, 316, 188, 188A, 179, 179A, 179B, 161, 187, 187A, Belden 9221	9.20	8.80	8.00	7.40
571-4140023	414002-3	G	Right Angle, Nickel	Mil	174, 316, 188, 188A, 179, 179A, 179B, 161, 187, 187A, Belden 9221	9.96	8.92	7.79	6.76
571-5414363-3	5414363-3	G	Right Angle, Gold	Diecast	174, 316, 188, 188A, 179, 179A, 179B, 161, 187, 187A, Belden 9221	5.33	5.10	4.67	4.24

SMB JACKS - 50 OHM

- Specifications:**
 • Center Contact: Gold • 50 Ohm • TEFLON • Outer Contact: Gold • Other Metal Parts: Listed Below

For quantities greater than listed, call for quote.

MOUSER STOCK NO.	TE Part No.	Fig.	Description	Style	Cable Type RG/U	Price Each			
						1	10	25	100
571-5221111-1	5221111-1	H	PCB, Vertical, Nickel	Comm.	-----	3.55	3.18	2.83	2.57
571-4139901	413990-1	H	PCB, Vertical, Gold	Mil	-----	5.55	5.32	4.88	4.44
571-4139902	413990-2	H	PCB, Vertical, Nickel	Mil	-----	5.45	5.23	4.79	4.36
571-4139962	413996-2	I	Bulkhead, Right Angle, Low Profile, Gold	Mil	-----	22.53	19.12	17.11	15.31
571-4140262	414026-2	J	Bulkhead, Right Angle, w/standoff pads, Gold	Mil	-----	7.70	7.38	6.54	5.89
571-2285531	228553-1	K	Bulkhead Adapter (Jack-Jack) Nickel	Mil	-----	7.95	7.28	6.72	5.40

BULKHEAD PCB JACK, SOLDER RECEPTACLE KITS

Kit includes lockwasher and jam nut.

For quantities greater than listed, call for quote.

MOUSER STOCK NO.	TE Part No.	Fig.	Description	Body Plating	Dielectric	Style	Price Each			
							1	10	25	100
571-2282161	228216-1	L	Front Mount	Nickel	TEFLON	Mil	11.65	10.89	8.85	8.55
571-2282151	228215-1	M	Rear Mount	Nickel	TEFLON	Mil	32.18	29.87	27.67	21.87

TOOLS

For quantities greater than listed, call for quote.

MOUSER STOCK NO.	TE Part No.	Description	Cable Type RG/U	Price Each
				1
571-585001	58500-1	Crimp Tool, 50 Ohm, Hex/Comm with Die Set	174, 316, 188, 179, 161, 187, RD 316, 188 Double Braid	252.53
571-3549401	354940-1	Pro Crimper III Hand Tool without Die	-----	60.50
571-584831	58483-1	Die Set, Mil Type Crimp	-----	153.00