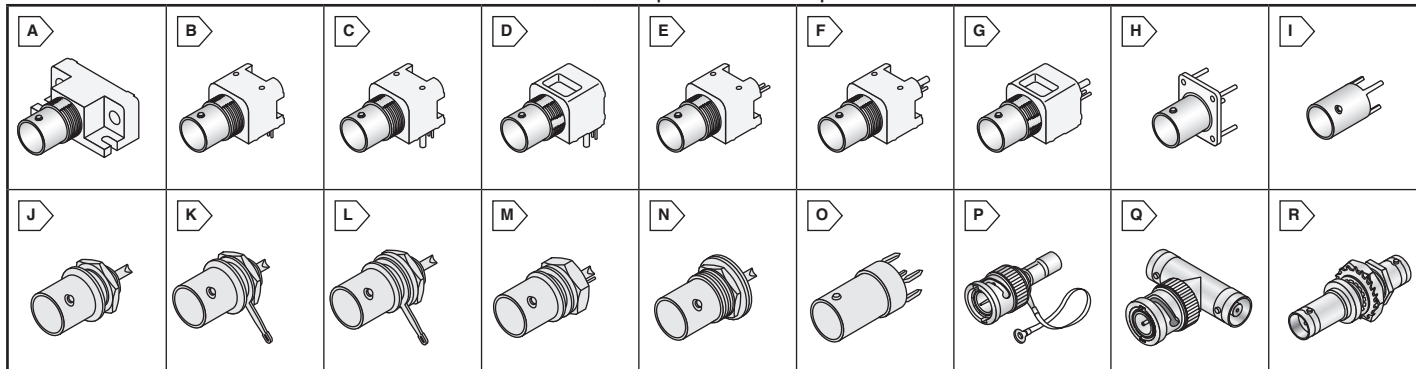


# TE 50 Ohm BNC Connectors



RoHS Compliant This product is RoHS compliant.



## JACKS WITH MOUNTING FLANGES

### Specifications:

- Body material: VALOX, White • 1/2-28 Thread
- PC Board/Panel Mount



RoHS Compliant

For quantities greater than listed, call for quote.

MOUSER STOCK NO.	TE Part No.	Fig.	Description	Center Contact	Mounting Height In. (mm)	Price Each			
						1	10	25	100
571-5226978-1	5226978-1	A	Right Angle	Tin	.625 (15.88)	13.32	12.24	11.45	9.05

## RIGHT ANGLE JACK CONNECTORS

### Specifications:

- PC Board/Panel Mount



RoHS Compliant

For quantities greater than listed, call for quote.

MOUSER STOCK NO.	TE Part No.	Fig.	Mounting Posts	Center Contact	Mounting Height In. (mm)	Price Each			
						1	10	25	100
<b>Body Material: VALOX, White</b>									
571-5226990-1	5226990-1	B	with out	Tin	.625 (15.88)	3.80	3.64	3.34	3.04
571-5227161-1	5227161-1	C	with	Tin	.625 (15.88)	3.63	3.48	3.19	2.90
571-5226990-3	5226990-3	B	with out	Gold	.625 (15.88)	2.50	2.20	2.14	1.69
571-5227161-7	5227161-7	C	with	Gold	.625 (15.88)	3.50	3.36	3.08	2.80
571-5227161-3	5227161-3	C	with	Gold	.519 (13.18)	3.78	3.62	3.32	3.02
<b>Body Material: VALOX, Black</b>									
571-5227161-2	5227161-2	C	with	Tin	.625 (15.88)	3.33	3.19	2.92	2.66
571-5227161-6	5227161-6	C	with	Gold	.625 (15.88)	3.54	3.39	3.11	2.83
571-5227161-9	5227161-9	C	with	Gold	.519 (13.18)	3.49	3.33	3.05	2.78
<b>Body Material: Metal</b>									
571-5227661-1	5227661-1	D	with	Tin	.625 (15.88)	4.53	4.34	3.98	3.62
571-5227677-1	5227677-1	D	with	Gold	.625 (15.88)	4.23	3.89	3.62	3.42
571-5413879-1	5413879-1	D	with	Gold	.500 (12.70)	5.68	5.65	4.75	3.91

## VERTICAL JACK CONNECTORS

### Specifications:

- PCB/Panel Mount • Order lockwashers and jam nuts separately



RoHS Compliant

For quantities greater than listed, call for quote.

MOUSER STOCK NO.	TE Part No.	Fig.	Mounting Posts	Center Contact	Mounting Height In. (mm)	Price Each			
						1	10	25	100
<b>Body Material: VALOX, White</b>									
571-5226993-1	5226993-1	E	with out	Tin	1.375 (34.93)	5.31	4.56	4.03	3.85
571-5227222-1	5227222-1	F	with	Tin	1.375 (34.93)	3.27	3.14	2.88	2.61
571-5227222-3	5227222-3	F	with	Gold	1.375 (34.93)	3.54	3.39	3.11	2.83
<b>Body Material: VALOX, Black</b>									
571-5227222-6	5227222-6	F	with	Gold	1.375 (34.93)	3.62	3.52	3.12	2.79
<b>Body Material: Metal</b>									
571-5227671-1	5227671-1	G	with	Tin	1.375 (34.93)	3.10	2.66	2.35	2.10
571-5227673-1	5227673-1	G	with	Gold	1.375 (34.93)	3.85	3.69	3.38	3.08

## LOCKWASHER AND JAM NUT

### Specifications:

- Dielectric: VALOX



RoHS Compliant

For quantities greater than listed, call for quote.

MOUSER STOCK NO.	TE Part No.	Description	Price Each			
			1	10	25	100
571-13296322	1-329632-2	Lockwasher	.31	.26	.18	.174
571-13296312	1-329631-2	Jam nut	.24	.217	.205	.184

## VERTICAL METALLIZED BNC JACK CONNECTORS

### Specifications:

- Dielectric: VALOX • PC Board Mount



RoHS Compliant

For quantities greater than listed, call for quote.

MOUSER STOCK NO.	TE Part No.	Fig.	Body Plating	Center Contact	Price Each			
					1	10	25	100
571-5227699-1	5227699-1	H	Nickel	Silver	3.32	3.13	3.01	2.85
571-5227699-2	5227699-2	H	Nickel	Gold	4.51	4.18	3.96	3.21
571-5221123-2	5221123-2	I	Tin	Gold	4.25	4.08	3.74	3.40

## BULKHEAD SOLDER JACKS

### Specifications:

- Body plating: Nickel • Front Mount



RoHS Compliant

For quantities greater than listed, call for quote.

MOUSER STOCK NO.	TE Part No.	Fig.	Contact Material	Dielectric	Price Each			
					1	10	25	100
<b>Without Solder Terminal (Includes lockwasher and jam nut.)</b>								
571-5227754-2	5227754-2	J	Gold	VALOX	2.65	2.54	2.22	2.12
<b>With Solder Terminal (Includes solder terminal and jam nut.)</b>								
571-5227755-3	5227755-3	K	Silver	VALOX	2.78	2.38	2.10	1.88
571-5227755-2	5227755-2	K	Gold	VALOX	2.80	2.64	2.36	2.03
571-5227716-3	5227716-3	K	Gold	TEFLON	3.55	3.05	2.69	2.41
571-5227169-7	5227169-7	L	Gold	VALOX	2.90	2.77	2.52	2.28
571-5227169-8	5227169-8	L	Gold	VALOX	3.48	2.98	2.64	2.08

## ISOLATED AND SEALED BULKHEAD SOLDER JACKS

### Specifications:

- Body plating: Nickel



RoHS Compliant

For quantities greater than listed, call for quote.

MOUSER STOCK NO.	TE Part No.	Fig.	Description	Center Contact	Dielectric	Price Each			
						1	10	25	100
<b>Isolated</b>									
571-5227726-1	5227726-1	M	Front mount	Tin	White VALOX	3.18	3.00	2.79	2.54
571-5227726-2	5227726-2	M	Front mount	Silver	White VALOX	3.13	3.00	2.75	2.50
571-5227726-3	5227726-3	M	Front mount	Gold	White VALOX	3.43	3.28	3.01	2.74
<b>Sealed</b>									
571-5227426-1	5227426-1	N	Rear mount	Gold	Polymethylpente	10.17	9.72	8.84	7.51

\* This connector is designed to prevent moisture from entering the interface from the rear of the connector

## PRESS FIT VERTICAL METALLIZED JACK

### Specifications:

- PC Board Mount



RoHS Compliant

For quantities greater than listed, call for quote.

MOUSER STOCK NO.	TE Part No.	Fig.	Description	Price Each			
				1	10	25	100
571-5222006-1	5222006-1	O	Vertical metallized	5.08	4.68	4.18	3.77

## INSULATION BUSHING

### Specifications:

- Body plating: Nickel



RoHS Compliant

For quantities greater than listed, call for quote.

MOUSER STOCK NO.	TE Part No.	Fig.	Description	Price Each			
				1	10	25	100
571-2272231	227223-1	--	For bulkhead solder jacks	.23	.22	.21	.17

## TERMINATOR PLUGS

- Body plating: Nickel



RoHS Compliant

For quantities greater than listed, call for quote.

MOUSER STOCK NO.	TE Part No.	Fig.	Resistor Specification	Center Contact	Dielectric	Price Each				
						1	10	25	100	
<b>Without Tether</b>										
571-5221629-4	5221629-4	P	1 Watt, 50 Ω	Gold	Polyethylene	13.33	12.12	11.81	10.30	

## BNC ADAPTERS, 50 OHM

### Specifications:

- Dielectric: VALOX



RoHS Compliant

For quantities greater than listed, call for quote.

MOUSER STOCK NO.	TE Part No.	Fig.	Description	Center Contact Material and Plating Type	Price Each			
					1	10	25	100
<b>Tee, Jack-Plug-Jack</b>								
571-2215432	221543-2	Q	Brass, Nickel, Teflon	BE CU, Gold (30µ")	25.05	21.54	19.03	18.13
<b>Bulkhead, Jack-Jack</b>								
571-5228226-1	5228226-1	R	Nickel, Polyethylene	Gold (50µ")	5.28	4.92	4.53	4.26
571-5228226-3	5228226-3	R	Nickel, Polyethylene	Gold (15µ")	5.93	5.77	4.74	3.75