

MOLEX RF Connectors

PRECISION TEST CONNECTORS

Features:

- 2.4mm mating interface
- Capable of handling 50 GHz analog signals
- Integrated center pin design
- Unique compression-mount design using two 0-80 UNF screws



For quantities greater than listed, call for quote.

MOUSER STOCK NO.	Molex Part No.	Fig.	Description	Mounting	Price Each			
					1	10	50	100
538-73387-0020	73387-0020	A	2.4mm Vertical Compression-Mount Jack	SMT	40.90	39.40	38.49	38.49

BNC CONNECTORS

Features:

- Miniature
- Bayonet lock coupling
- Weatherproof

Specifications:

- Frequency Range: dc-4GHz
- Voltage Rating: 500Vrms
- Contact Plating: Gold
- Temperature: -65°C to +165°C
- Mounting: PCB

For quantities greater than listed, call for quote.

MOUSER STOCK NO.	Molex Part No.	Fig.	Impedance	PCB Mounting	Body Plating	Description	Price Each			
							1	10	25	50
538-73100-0153	73100-0153	B	50	Vertical	Nickel	Brass Body, .175" Legs	4.07	3.36	3.26	2.80
538-73101-0030	73101-0030	C	75	Vertical	Nickel	Bulkhead, Metal Body, Fork Pins	4.56	3.71	3.41	3.07
538-73100-0105	73100-0105	D	50	Right Angle	Nickel	Narrow Profile, .118" Legs	1.90	1.47	1.31	1.24
538-73131-5003	73131-5003	E	50	Vertical	Nickel	Bulkhead, Black Valox Body	2.86	2.47	2.07	1.87
538-73137-5003	73137-5003	F	50	Right Angle	Nickel	Bulkhead, Black Valox Body	3.55	2.94	2.70	2.45
538-73100-0067	73100-0067	F	75	Right Angle	Nickel	Bulkhead, Black Valox Body	4.87	4.05	3.78	3.35
538-73100-0069	73100-0069	F	75	Right Angle	Nickel	Bulkhead, White Valox Body	4.25	3.78	3.36	3.00
538-73101-0040	73101-0040	F	75	Right Angle	Nickel	Bulkhead, Metal Body	3.22	2.77	2.66	2.47
538-73101-0120	73101-0120	G	75	Right Angle	Nickel	Bulkhead, Metal Body, Low Profile	2.44	2.03	1.84	1.69

SMA CONNECTORS

Features:

- Subminiature
- Threaded coupling

Specifications:

- Frequency Range: dc - 18GHz
- Voltage Rating: 335Vrms
- Temperature: -65°C to +165°C
- Contact Plating: Gold
- Impedance: 50Ω

For quantities greater than listed, call for quote.

MOUSER STOCK NO.	Molex Part No.	Fig.	Body Material	Plating	RG Cable	Price Each			
						1	10	25	50
Straight - Standard Mount									
538-73251-0450	73251-0450	H	Brass	Gold	174, 179, 187, 188, 316, LMR100 Belden 7805	4.13	3.41	3.31	2.84
538-73251-0151	73251-0151	H	Stainless Steel	Passivated	174, 179, 187, 188, 316, LMR100 Belden 7805	3.20	2.87	2.71	2.55
538-73251-0031	73251-0031	H	Stainless Steel	Gold	.141 Semi-Rigid	5.52	5.15	5.01	4.00
Right Angle - Standard Mount									
538-73391-0230	73391-0230	I	Brass	Gold	174, 179, 187, 188, 316, LMR100 Belden 7805	6.01	5.12	4.62	4.11

Jacks

MOUSER STOCK NO.	Molex Part No.	Fig.	Body Material	Plating	Description	Price Each			
						1	10	25	50
538-73391-0070	73391-0070	J	Brass	Gold	Vertical PCB, .157" Legs	3.78	3.12	3.03	2.60
538-73391-0080	73391-0080	K	Zinc (Diecast)	Nickel	Right Angle PCB, .155" Legs	3.94	3.26	2.94	2.61
538-73100-0114	73100-0114	K	Brass	Gold	Right Angle PCB, .155" Legs	6.56	5.42	4.85	4.52
538-73251-0420	73251-0420	L	Stainless Steel	Passivated	2 hole flange, Blunt post	8.53	7.65	7.16	5.73
538-73251-0250	73251-0250	L	Stainless Steel	Passivated	2 hole flange, Solder cup	4.00	3.60	3.40	3.20
538-73251-0410	73251-0410	M	Stainless Steel	Passivated	4 hole flange, Blunt post	5.54	5.09	4.44	3.99
538-73251-1290	73251-1290	N	Brass	Gold	Edgemount for .062 PCB	3.85	3.42	3.08	2.80
538-73251-3460	73251-3460	O	Brass	Gold	PCB Edgemount	3.88	3.44	3.10	2.82

SMB CONNECTORS

Features:

- Subminiature
- Snap-on coupling

Specifications:

- Frequency Rating: dc-4GHz
- Voltage Rating: 500Vrms
- Temperature: -65°C to +165°C

For quantities greater than listed, call for quote.

MOUSER STOCK NO.	Molex Part No.	Fig.	Type	RG Cable	Impedance	Price Each			
						1	10	25	50
538-73100-0248	73100-0248	P	Straight solder/crimp cable	174, 179, 187, 188, 316	50 Ohm	6.40	5.37	4.90	4.60
538-73100-0257	73100-0257	Q	Right angle solder/crimp cable	174, 188, 316	50 Ohm	8.74	7.97	7.24	6.83

Jacks

MOUSER STOCK NO.	Molex Part No.	Fig.	Type	Mounting	Impedance	Price Each			
						1	10	25	50
538-73100-0207	73100-0207	R	Vertical PCB, .155" Legs	PCB	50 Ohm	3.77	3.12	2.88	2.60
538-73100-0103	73100-0103	S	Right Angle PCB, .118" Legs	PCB	50 Ohm	2.97	2.45	2.37	2.04

SMP CONNECTORS

MOUSER STOCK NO.	Molex Part No.	Fig.	Body Material	Plating	Description	Price Each			
						1	10	25	50
538-73415-3320	73415-3320	T	Brass	Gold	Vertical Plug PCB Without Detent	5.81	4.80	4.51	4.00

MCX CONNECTORS

538-73415-1631	73415-1631	U	Brass	Gold	Jack, PCB, SMT, 75 Ohms	2.54	2.46	2.11	1.88
----------------	------------	---	-------	------	-------------------------	------	------	------	------

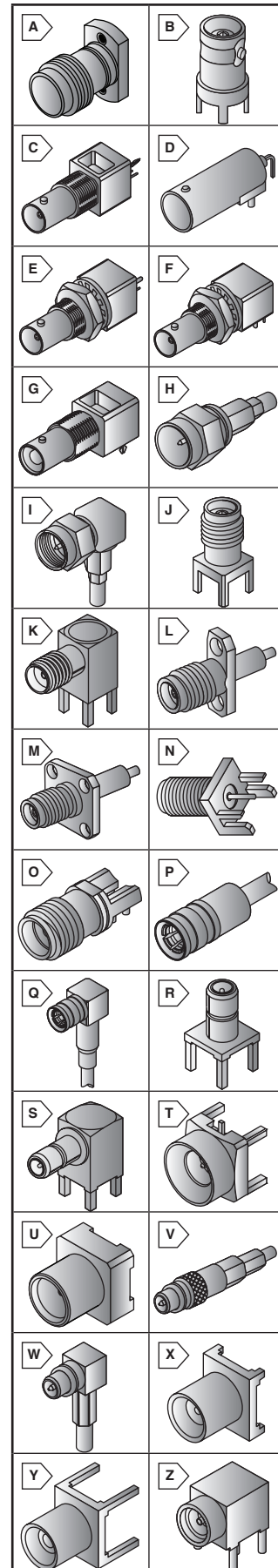
MMCX CONNECTORS

For quantities greater than listed, call for quote.

MOUSER STOCK NO.	Molex Part No.	Fig.	Type	RG Cable	Mounting	Price Each			
						1	10	25	50
538-73415-1251	73415-1251	V	Straight	174, 316, LMR100, Belden 7805	Standard	5.36	4.48	3.85	3.68
538-73415-1121	73415-1121	W	Right Angle	174, 316, LMR100, Belden 7805	Standard	4.50	4.37	4.24	4.19

Jacks

MOUSER STOCK NO.	Molex Part No.	Fig.	Type	Mounting	Price Each			
					1	10	25	50
538-73415-2061	73415-2061	X	Vertical, Surface Mount	PCB	2.91	2.42	2.34	2.01
538-73415-1471	73415-1471	Y	Vertical, Surface Mount, .119" Legs	PCB	3.66	2.97	2.79	2.48
538-73415-1001	73415-1001	Z	Right Angle, .118" Legs	PCB	5.54	4.58	4.44	3.82



RF Connectors

Molex