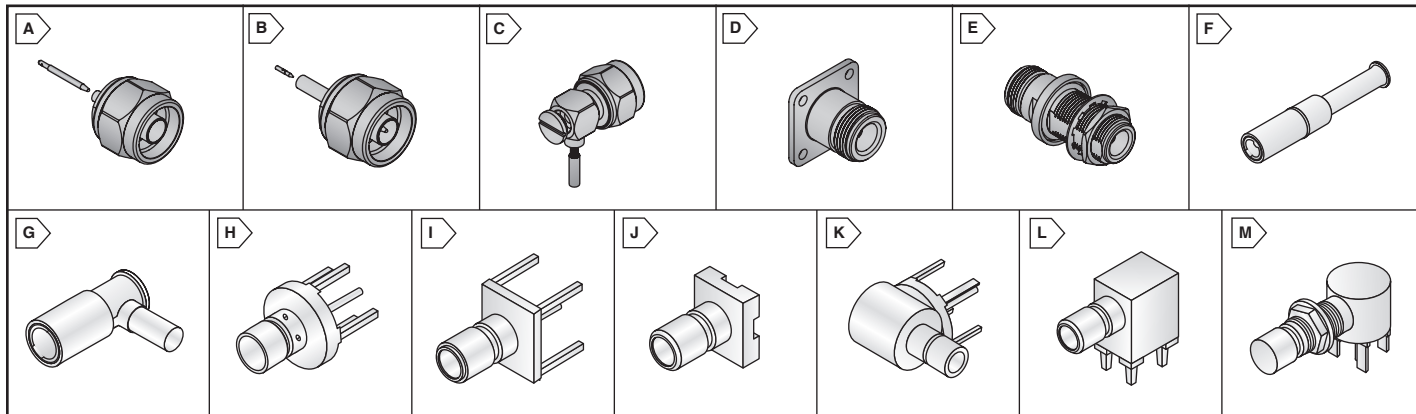


JOHNSON COMPONENTS RF Connectors

Johnson
Connectivity Solutions



N TYPE CONNECTORS

Features:

- Cabled contacts are captivated upon assembly
- Flexible cable contacts can be crimped or soldered
- Semi-Rigid cabled connectors are capable of operating to 18GHz
- Body Plating: Tri-Alloy and gold plating where soldering is required
- Impedance: 50Ω
- Frequency Range: up to 11GHz
- Contact Plating: Gold
- Body Plating: Tri-Alloy and gold plating where soldering is required

Applications:

- Antennas
- Base stations
- Broadcast
- Cable assemblies
- Cellular
- Instrumentation
- Microwave radio
- Radios
- Radar
- RF and microwave components
- Satcom
- Surge protection
- WLAN

For quantities greater than listed, call for quote.

MOUSER STOCK NO.	Johnson Components Part No.	Fig.	Body Plating	Description / Cable Type	RoHS	Price Each		
						1	10	25
Straight Plug - Solder - Semi-Rigid Cable - Tri-Alloy Plated Coupling Nut								
530-138-4694-001	138-4694-001	A	Gold	.141 Solder Contact	No	22.38	20.77	19.40
Straight Plug - Crimp - Flexible Cable								
530-138-4449-007	138-4449-007	B	Tri-Alloy	LMR400, Belden 9913	No	16.67	15.48	14.45
Right Angle Plug - Crimp - Flexible Cable Captivated Contact								
530-138-4407-107	138-4407-107	C	Tri-Alloy	RG58/U, 141 303	No	47.29	43.92	40.99
Panel Mount Receptacles								
530-138-4701-607	138-4701-607	D	Tri-Alloy	4 Hole Flange Mount, Flush Dielectric, Solder Cup	No	22.10	20.52	19.15
Adapter								
530-138-4901-407	138-4901-407	E	Tri-Alloy	Jack to Bulkhead Jack	No	33.01	29.16	26.91

SMB CONNECTORS

- Impedance: 50Ω
- Connector Bodies: Machined Brass
- Body Plating: Gold or Nickel
- Durability: 500 Cycles minimum
- Insulators: PTFE Fluorocarbon
- Temperature Range: -65°C to +165°C
- Frequency Range: 0-4.0GHz for Flexible Cable Types
- Contact Plating: Gold



RoHS Compliant

For quantities greater than listed, call for quote.

MOUSER STOCK NO.	Johnson Components Part No.	Fig.	Body Plating	Description / Cable Type	RoHS	Price Each			
						1	10	25	100
Straight Plugs - Flexible Cable									
530-131-1403-001	131-1403-001	F	Gold	161/U, 174, 188, 316, LMR-100	9.99	9.00	7.49	6.91	
530-131-1403-016	131-1403-016	F	Nickel	161/U, 174, 188, 316, LMR-100	5.26	4.74	3.95	3.64	
Right Angle Plugs									
530-131-1403-101	131-1403-101	G	Gold	161/U, 174, 188, 316, LMR-100, Flex Cable	7.74	7.11	6.55	6.17	
530-131-1403-116	131-1403-116	G	Nickel	161/U, 174, 188, 316, LMR-100, Flex Cable	5.12	4.60	4.03	3.33	
530-131-1801-371	131-1801-371	G	Gold	PCB Mount, .110" Legs, Die Cast	10.25	9.25	7.85	6.95	
Vertical PCB Jacks									
530-131-3701-201	131-3701-201	H	Gold	.155" Legs, Machined Brass, .312" Diameter Base	3.39	2.82	2.40	2.02	
530-131-3701-206	131-3701-206	H	Nickel	.155" Legs, Machined Brass, .312" Diameter Base	2.05	1.85	1.54	1.42	
530-131-3701-261	131-3701-261	I	Gold	.155" Legs, Machined Brass, .236" Square Base	2.06	1.83	1.50	1.30	
530-131-3701-271	131-3701-271	I	Gold	.095" Legs, Machined Brass, .236" Square Base	2.79	2.51	2.09	1.93	
530-131-3711-201	131-3711-201	J	Gold	.250" Square Base, Machined Brass	4.20	3.56	2.91	2.75	
Right Angle PCB Jacks									
530-131-3701-301	131-3701-301	K	Gold	.155" Legs, Machined Brass	5.99	5.24	4.51	3.86	
530-131-3701-306	131-3701-306	K	Nickel	.155" Legs, Machined Brass	3.31	3.07	2.87	2.69	
530-131-1701-371	131-1701-371	L	Gold	.110" Legs, Die Cast	7.44	6.67	6.13	5.78	
530-131-1701-376	131-1701-376	L	Nickel	.110" Legs, Die Cast	5.29	4.65	4.27	4.02	
530-131-3701-501	131-3701-501	M	Gold	Bulkhead, .083" Legs, Machined Brass	10.47	8.99	7.33	6.95	
530-131-3701-341	131-3701-341	M	Gold	Bulkhead, .155" Legs, Machined Brass	7.41	6.51	5.59	5.12	
530-131-3701-346	131-3701-346	M	Nickel	Blukhead, .155" Legs, Machined Brass	6.32	5.68	5.10	4.71	

MINI SMB CONNECTORS

- Impedance: 75Ω
- Intermateable with standard 50Ω 5mB
- Insulators: PTFE Fluorocarbon
- Durability: 500 cycles minimum



RoHS Compliant

For quantities greater than listed, call for quote.

MOUSER STOCK NO.	Johnson Components Part No.	Fig.	Body Plating	Description / Cable Type	RoHS	Price Each			
						1	10	25	100
530-131-8403-001	131-8403-001	F	Gold	Straight Plug, RG-179, 187	6.65	5.95	5.44	5.19	
530-131-8403-101	131-8403-101	G	Gold	Right Angle Plug, RG-179, 187	12.07	10.92	10.14	8.69	
530-131-8701-201	131-8701-201	H	Gold	Vertical PCB Jack, .083" Legs, Machined Brass	2.39	2.12	1.92	1.77	
530-131-8701-206	131-8701-206	H	Nickel	Vertical PCB Jack, .083" Legs, Machined Brass	3.23	2.97	2.73	2.52	