

# Transceivers and RF Connectors

RoHS Compliant This product is RoHS compliant.



## Stratos OPTICAL TRANSCEIVERS

Connectivity Solutions

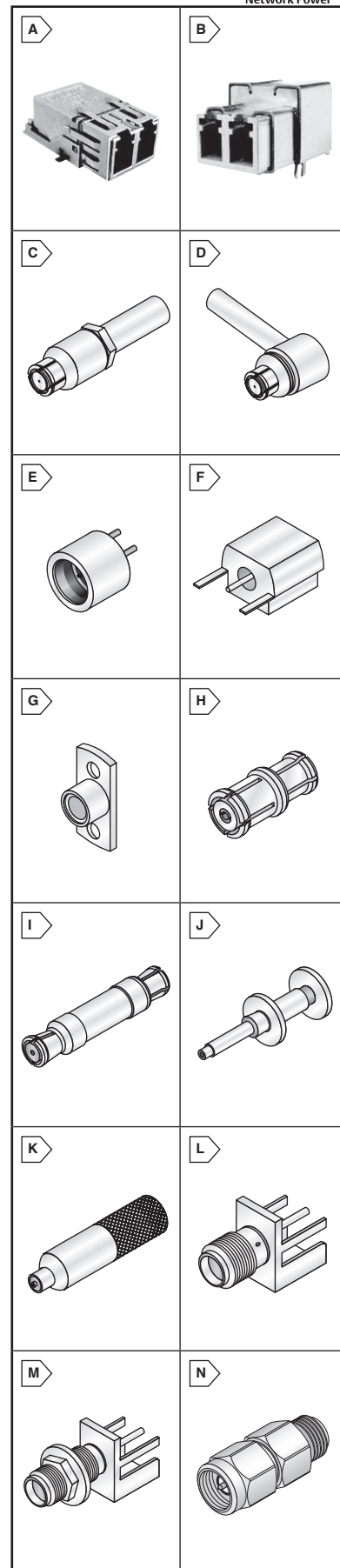
Miniaturized transceiver, 1/2 the size of standard devices!

- Fibre Channel (1G, 2G, 4G): RJS-ST31
- Mil/Aero Miniaturized transceivers
- LNK-ST11 Gigabit Ethernet
- LNF-LP11 Fast Ethernet
- LNL-ST11H 1x/2x Fibre Channel



For quantities greater than listed, call for quote.

MOUSER STOCK NO.	Stratos Part No.	Fig.	Description	Price Each			
				1	5	10	25
530-LNK-ST11H	LNK-ST11H	A	Low Rider GigE 850 TTL	346.42	316.55	282.46	262.29
530-LNL-ST11H	LNL-ST11H	A	Low Rider 1x/2x FC 850 TTL	387.17	353.79	315.69	293.14
530-LNF-LP11H	LNF-LP11H	A	Low Rider Ether 1310nm LVPECL	224.15	204.83	182.77	169.71
530-RJS-ST31	RJS-ST31	B	Micro Form Factor, 4.25Gbps 850	104.15	95.17	84.92	78.86



RF Connectors

## Johnson SMP CONNECTORS

Connectivity Solutions

The SMP interface offers superior performance up to 40GHz and is compatible with all SMP. They offer high electrical reliability where extreme shock and vibration conditions are experienced.

- Shock (specified pulse): MIL-STD-202, Method 213, Condition 1
- Temperature Range: -65°C to +165°C
- Vibration: MIL-STD-202, Condition D
- Phased Arrays
- Communication Equipment
- Satellites

For quantities greater than listed, call for quote.

MOUSER STOCK NO.	Johnson Components Part No.	Fig.	Description	Price Each			
				1	10	25	100
<b>Female</b>							
530-127-0692-001	127-0692-001	C	Straight M17/151 (.047 SR)	11.42	10.00	8.65	8.40
530-127-0693-001	127-0693-001	C	Straight RG 405 (.086 SR)	8.48	8.05	7.60	7.07
530-127-0693-101	127-0693-101	D	Right Angle RG 405 (.086 SR)	12.92	11.99	11.20	10.50
<b>Male</b>							
530-127-0701-201	127-0701-201	E	PC Mount Straight .218 OD .100 Legs Full Detent	10.98	10.20	9.52	8.92
530-127-1701-201	127-1701-201	E	PC Mount Straight .218 OD .100 Legs Limited Detent	10.54	10.00	9.25	8.71
530-127-0701-801	127-0701-801	F	End Launch Surface Mount Full Detent	10.98	10.20	9.52	8.92
530-127-1701-801	127-1701-801	F	End Launch Surface Mount Limited Detent	11.44	10.26	9.69	9.10
530-127-2701-801	127-2701-801	F	End Launch Surface Mount Smooth Bore	10.98	10.20	9.52	8.92
530-127-2701-602	127-2701-602	G	Shroud 2 Hole Launch .165 Wide Smooth Bore	6.43	5.99	5.60	5.00
<b>Adapters</b>							
530-127-0901-801	127-0901-801	H	Bullet Female to Female .254	12.04	10.81	10.11	9.85
530-127-0901-811	127-0901-811	I	Female to Female .769	18.30	17.14	16.00	15.00

### SMP Connector Tooling

For quantities greater than listed, call for quote.

MOUSER STOCK NO.	Johnson Components Part No.	Fig.	Description	Price Each	
				1	5
530-127-0000-900	127-0000-900	J	SMP Bullet Extraction Tool	207.09	194.70
530-127-0000-905	127-0000-905	K	SMP FD Shroud Centering Tool	13.07	12.14
530-127-0000-906	127-0000-906	K	SMP LD Shroud Centering Tool	13.07	12.14
530-127-0000-907	127-0000-907	K	SMP SB Shroud Centering Tool	13.07	12.14

## Johnson SMA EDGE MOUNT CONNECTORS

Connectivity Solutions

- Impedance: 50Ω
- Frequency Range: 0-18GHz
- Temperature Range: -65°C to +165°C
- Contact Plating: Gold
- Body: Brass
- MIL-DTL-39012

For quantities greater than listed, call for quote.

MOUSER STOCK NO.	Johnson Components Part No.	Fig.	Description	Price Each			
				1	10	25	100
<b>Straight Jack Receptacles</b>							
530-142-0711-811	142-0711-811	L	.062" Board Thickness, Round Contact, .375" Wide, Bulkhead	6.32	5.98	5.62	5.22
530-142-0701-806	142-0701-806	L	.062" Board Thickness, Round Contact, .375" Wide	4.84	4.31	4.18	3.97
530-142-0711-821	142-0711-821	L	.062" Board Thickness, Round Contact, .250" Wide	6.62	5.79	5.21	4.43
530-142-0711-841	142-0711-841	L	.042" Board Thickness, Round Contact, .250" Wide	10.76	9.52	7.61	7.06
530-142-0711-846	142-0711-846	L	.042" Board Thickness, Round Contact, .250" Wide	8.12	7.33	6.43	5.86
530-142-0701-801	142-0701-801	L	.062" Board Thickness, Round Contact, .375" Wide	3.89	3.62	3.33	2.70
530-142-0711-871	142-0711-871	M	.047" Board Thickness, Round Contact, .375" Wide	8.58	7.59	6.07	5.63
530-142-0701-881	142-0701-881	M	.031" Board Thickness, Round Contact, .375" Wide	6.70	5.24	4.70	3.92
530-142-0701-851	142-0701-851	M	.062" Board Thickness, Round Contact, .375" Wide	4.88	4.34	3.74	3.25
530-142-0701-841	142-0701-841	L	.042" Board Thickness, Round Contact, .375" Wide	5.84	5.19	4.70	4.05
530-142-0701-871	142-0701-871	M	.062" Board Thickness, Round Contact, Bulkhead	4.96	4.60	4.22	4.01

## Johnson SMA FIXED COMMERCIAL ATTENUATORS

Connectivity Solutions

These fixed attenuators offer a rugged stainless steel body, top of the line quality performance and at a competitive price.

### Features and Benefits:

- Reduces impedance mismatches in high frequency circuit systems
- Improves impedance match between amplifiers and filters
- Provides isolation needed to stabilize oscillators
- Extends the dynamic range of measuring equipment such as power meters, fixed intensity meters, spectrum analyzers, and amplifiers
- Changes a source or load, which might be reactive, into one which is precisely known and resistive
- Passivated per MIL-F-14-72

For quantities greater than listed, call for quote.

MOUSER STOCK NO.	Johnson Components Part No.	Fig.	Attenuation (dB Normal)	Frequency Range	Price Each			
					1	10	25	100
530-141-3901-801	141-3901-801	N	1	(0-6GHz)	24.23	22.04	20.20	17.31
530-141-3901-802	141-3901-802	N	2	(0-6GHz)	27.17	24.71	22.65	19.41
530-141-3901-803	141-3901-803	N	3	(0-6GHz)	27.17	24.71	22.65	19.41
530-141-3901-806	141-3901-806	N	6	(0-6GHz)	27.17	24.71	22.65	19.41
530-141-3901-810	141-3901-810	N	10	(0-6GHz)	27.49	25.00	22.91	19.64