

HIROSE Coaxial Connectors

RoHS Compliant This product is RoHS compliant.



W.FL SERIES

Receptacle

For quantities greater than listed, call for quote.

MOUSER STOCK NO.	Hirose Part No.	Fig.	Contact Gender	Contact Plating	Body Plating	Termination Type	Packaging	Price Each			
								1	10	50	100
798-W.FL-R-SMT-110	W.FL-R-SMT-1(10)	A	Male	Gold	Silver	SMT	Reel	1.67	1.36	1.10	.99

Cable Assemblies

For quantities greater than listed, call for quote.

MOUSER STOCK NO.	Hirose Part No.	Fig.	Cable Length (mm)	Cable Type	Cable Diameter (mm)	Mated Height (mm)	Wire Gauge	Price Each			
								1	10	50	100
Plug to Plug Cable Assembly - White											
798-W.FL2LP04N1A100	W.FL-2LP-04N1-A-(100)	B	100	04N	0.81	1.4	36	7.54	6.23	5.20	4.68
798-W.FL2LP04N1A200	W.FL-2LP-04N1-A-(200)	B	200	04N	0.81	1.4	36	6.94	5.87	4.94	4.40
798-W.FL2LP04N1A500	W.FL-2LP-04N1-A-(500)	B	500	04N	0.81	1.4	36	6.64	5.58	4.67	4.15
798-W.FL2LP04N1A1000	W.FL-2LP-04N1-A-(1000)	B	1000	04N	0.81	1.4	36	9.26	7.82	6.85	5.86
Plug to Plug Cable Assembly - Black											
798-W.FL2LP04N2A100	W.FL-2LP-04N2-A-(100)	B	100	04N	0.81	1.4	36	7.54	6.23	5.20	4.68
798-WFL2LPG062N2DA35	W.FL-2LPG-062N2D-A(35)	B	35	062	1.00	1.4	33	6.66	5.60	4.48	3.61
798-WFL2LPG062N2DA40	W.FL-2LPG-062N2D-A(40)	B	40	062	1.00	1.4	33	7.22	5.60	4.48	3.61
798-WFL2LPG062N2DA70	W.FL-2LPG-062N2D-A(70)	B	70	062	1.00	1.4	33	6.58	5.56	4.68	4.17
798-WFL2LPG062N2D100	W.FL-2LPG-062N2D-A(100)	B	100	062	1.00	1.4	33	6.68	5.65	4.74	4.23

Tooling

For quantities greater than listed, call for quote.

MOUSER STOCK NO.	Hirose Part No.	Fig.	Cable Length (mm)	Price Each
798-W.FL-LP-N	W.FL-LP-N	-	Extraction Tool	99.39

H.FL SERIES

Receptacle

For quantities greater than listed, call for quote.

MOUSER STOCK NO.	Hirose Part No.	Fig.	Contact Gender	Contact Plating	Body Plating	Termination Type	Price Each			
							1	10	50	100
798-HFLRSMTO1	H.FL-R-SMT(01)	C	Male	Gold	Silver	Thru-Hole	1.78	1.48	1.23	1.10

Converter Adapters

For quantities greater than listed, call for quote.

MOUSER STOCK NO.	Hirose Part No.	Fig.	Adapter Type	Contact Plating	Body Plating	Price Each			
						1	10	50	100
798-HRMJ-H.FLP-340	HRMJ-H.FLP-3(40)	D	Adapter Plug/SMA Jack	Gold	Silver	25.80	24.95	23.60	22.36
798-HRMP-H.FLJ40	HRMP-H.FLJ(40)	E	Adapter Jack/SMA Plug	Gold	Silver	22.35	21.61	20.22	19.37

Tooling

For quantities greater than listed, call for quote.

MOUSER STOCK NO.	Hirose Part No.	Fig.	Description	Price Each
798-H.FL-LP-N	H.FL-LP-N	-	Extraction Tool	43.00

HRM(V) SERIES Low-Cost SMA Coaxial Connectors

Receptacle

For quantities greater than listed, call for quote.

MOUSER STOCK NO.	Hirose Part No.	Fig.	Contact Gender	Contact Plating	Body Plating	Termination Type	Price Each			
							1	25	100	250
798-HRMV-306S	HRM(V)-306S	F	Female	Gold	Steel	Thru-Hole	5.07	3.93	3.14	2.54

MS-147 SERIES Interface RF Connector with Switch

SMA Converter Adapter

For quantities greater than listed, call for quote.

MOUSER STOCK NO.	Hirose Part No.	Fig.	Adapter Type	Contact Plating	Body Plating	Price Each			
						1	10	50	100
798-MS-147-HRMJ-1	MS-147-HRMJ-1	G	Adapter Plug/SMA Jack	Gold	Silver	19.35	18.06	16.77	16.44

MS-156C SERIES Subminiature Coaxial Adapters

SMA Converter Adapters

For quantities greater than listed, call for quote.

MOUSER STOCK NO.	Hirose Part No.	Fig.	Adapter Type	Contact Plating	Body Plating	Price Each			
						1	25	100	250
798-MS-156-HRMJ-2	MS-156-HRMJ-2	H	Simplified Lock, Straight, Short	Gold	Silver	28.80	26.88	24.96	24.47
798-MS156HRMJ12	MS-156-HRMJ-12	I	Floating (Self Pressing)	Gold	Silver	94.78	88.01	84.62	82.93

MS-162 SERIES Miniature Interface Coaxial Switch

Receptacle

For quantities greater than listed, call for quote.

MOUSER STOCK NO.	Hirose Part No.	Fig.	Contact Gender	Contact Plating	Body Plating	Termination Type	Price Each			
							1	25	100	200
798-MS16201	MS-162(01)	J	Female	Gold	Gold	Coaxial	3.25	2.49	2.00	1.65

Plug

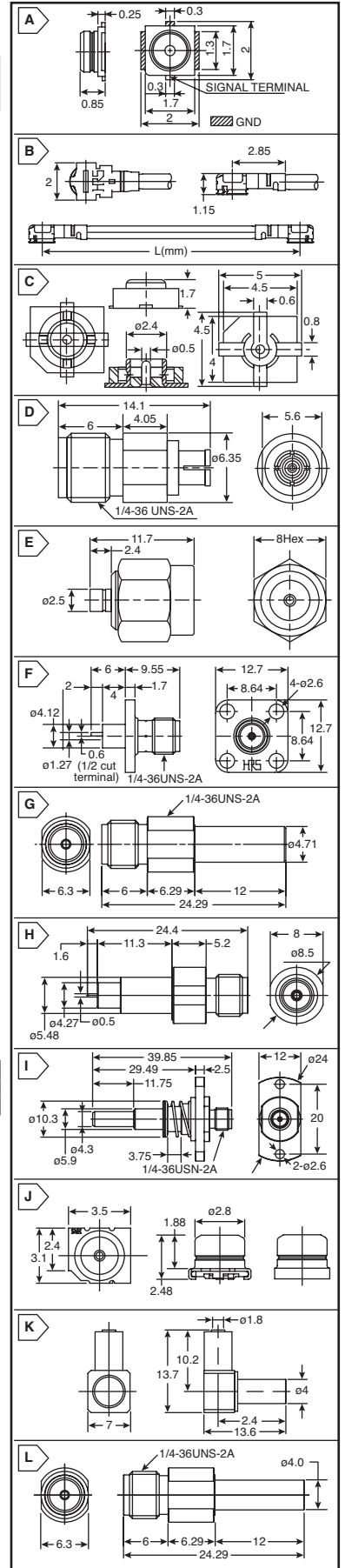
For quantities greater than listed, call for quote.

MOUSER STOCK NO.	Hirose Part No.	Fig.	Male	Gold	Gold	Coaxial	18.30	17.08	15.86	15.55
798-MS-162-CLP-1	MS-162-C(LP)-1	K								

SMA Converter Adapter

For quantities greater than listed, call for quote.

MOUSER STOCK NO.	Hirose Part No.	Fig.	Adapter Type	Contact Plating	Body Plating	Price Each			
						1	25	100	200
798-MS-162-HRMJ-1	MS-162-HRMJ-1	L	Adapter Plug/SMA Jack	Gold	Steel	17.68	16.17	14.56	13.52



RF Connectors

Hirose

