

# AIM-CAMBRIDGE RF Connectors

AIM-Cambridge  
Connectivity Solutions  
EMERSON  
Network Power

RoHS Compliant This page of product is compliant.

## BNC COAXIAL CONNECTORS

For quantities greater than listed, call for quote.

MOUSER STOCK NO.	AIM-Cambridge Part No.	Fig.	Imp. (Ω)	Description	Cable Type	Price Each			
						1	10	25	100
<b>Cable Mount</b>									
530-CPM-88-19	CPM-88-19	A	50	Crimp, 4 Piece Plug	RG174, RG316	2.35	2.13	1.69	1.49
530-CPM-88-20	CPM-88-20	A	50	Crimp, 4 Piece Plug	RG179	2.71	2.47	2.05	1.94
530-CPMC-88-1	CPMC-88-1	A	50	Crimp, 3 Piece Plug	RG58	2.85	2.51	2.28	1.93
530-CPMC-88-2	CPMC-88-2	A	50	Crimp, 3 Piece Plug	RG59	2.39	2.07	1.86	1.80
530-CPMC-88-5	CPMC-88-5	A	50	Crimp, 3 Piece Plug	RG6	2.66	2.34	2.07	1.85
530-CPMC-88-10	CPMC-88-10	A	50	Crimp, 3 Piece Plug	RG58	1.59	1.43	1.36	1.27
530-CP-88-1	CP-88-1	A	50	Crimp, 2 Piece Plug	RG58	1.75	1.65	1.53	1.40
530-CP-88-2	CP-88-2	A	50	Crimp, 2 Piece Plug	RG59, RG62	1.77	1.58	1.25	1.10
530-CP-88-5	CP-88-5	A	50	Crimp, 2 Piece Plug	RG6	2.14	1.95	1.58	1.42
530-CPFI-UG88-1	CPFI-UG88-1	B	50	Twist-On Plug	RG58	1.63	1.50	1.34	1.11
530-CPFI-UG88-5	CPFI-UG88-5	B	50	Twist-On Plug	RG6	1.96	1.74	1.40	1.26
530-CPMC-88-21	CPMC-88-21	C	50	3 Piece Plug, 2 Ferrules	RG58, TFE59	2.36	2.08	1.78	1.65
530-CPMC-78-2	CPMC-78-2	A	75	3 Piece Crimp Plug	RG59, RG62	2.45	2.23	1.78	1.52
530-CPMC-78-18	CPMC-78-18	A	75	3 Piece Crimp Plug	Belden 8218	2.73	2.48	2.27	2.10
530-CP-89-2	CP-89-2	D	50	2 Piece Crimp Jack	RG56, RG62	1.86	1.70	1.56	1.42
<b>Panel Mount</b>									
530-CP-1094-U	CP-1094-U	E	50	Front Mount with out Lug Jack	-----	4.16	3.64	2.91	2.56
530-CP-1094-AST	CP-1094-AST	F	50	Front Mount with Tab Jack	-----	2.97	2.65	2.24	2.09
530-CP-AD520	CP-AD520	G	75	Isolated Front Mount Jack	-----	3.13	2.86	2.64	2.45
<b>Adapters and Terminators</b>									
530-CP-AD555	CP-AD555	H	50	Inline Jack to Jack Adapter	-----	1.40	1.26	1.01	.90
530-CP-AD556M	CP-AD556M	I	50	Bulkhead Inline Jack to Jack Adapter	-----	5.18	4.34	3.78	3.43
601-27-8150	27-8150	J	50	Right Angle Jack to Plug Adapter	-----	2.30	2.05	1.89	1.76
601-27-8140	27-8140	K	50	Jack to Jack to Plug T Adapter	-----	1.69	1.50	1.38	1.29
601-27-9007	27-9007	L	75	Terminator, No Chain	-----	1.45	1.30	1.20	1.11
601-27-9008	27-9008	L	50	Terminator, No Chain	-----	1.57	1.31	1.21	1.13

## N CONNECTORS

For quantities greater than listed, call for quote.

MOUSER STOCK NO.	AIM-Cambridge Part No.	Fig.	Imp. (Ω)	Description/Cable Type	Price Each			
					1	10	25	100
530-CPN-1	CPN-1	M	50	18 AWG Crimp Plug,/RG58	4.85	4.33	3.88	3.44
530-CPN-142T	CPN-142T	M	50	20 AWG Crimp Plug,/RG142TFE	5.54	4.93	4.43	4.02
530-CPN-8	CPN-2	M	50	13 AWG Crimp Plug,/RG59, RG62	5.59	4.97	4.55	3.93
530-CPN-8/110	CPN-8/110	M	50	10 AWG Crimp Plug,/RG8	6.05	5.49	4.99	4.74
601-26-8011	26-8011	N	50	Flange Mount Jack, Solder Cup	4.40	4.00	3.67	3.39
601-26-8000	26-8000	-	50	Plug for RG8, 213, 11 to .085"	4.34	3.89	3.59	3.34
601-26-8023	26-8023	-	50	Plug Terminator	4.29	3.72	3.43	3.19

## BNC/TNC CONNECTOR TOOLING

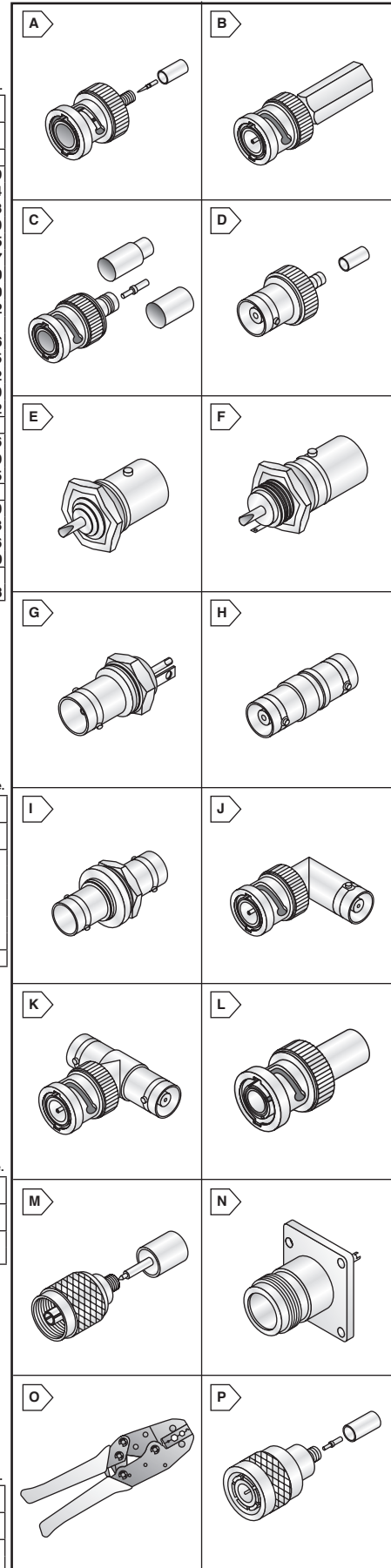
For quantities greater than listed, call for quote.

MOUSER STOCK NO.	AIM-Cambridge Part No.	Fig.	Description	Cable Type	Price Each	
					1	5
530-24-9958P	24-9958P	O	3 Piece Crimp	RG58, 59TFE, 141, 142	48.18	45.77
530-24-9959P	24-9959P	O	3 Piece Crimp	RG59, 62	42.30	40.20

## TNC CONNECTORS

For quantities greater than listed, call for quote.

MOUSER STOCK NO.	AIM-Cambridge Part No.	Fig.	Imp. (Ω)	Description	Cable Type	Price Each			
						1	10	25	100
530-CPMC-TNC-1	CPMC-TNC-1	P	50	3 Piece Crimp Plug	RG58	2.34	2.11	1.67	1.44
530-CPMC-TNC-17	CPMC-TNC-17	P	50	3 Piece Crimp Plug	RG8X (MINI 8)	2.59	2.32	2.09	1.92



RF Connectors

AIM-Cambridge