

# BOMAR RF Connectors

RoHS Compliant This product is RoHS compliant.



## MCX AND MMCX CABLE CONNECTORS

- Brass body parts
- Plating: Gold over Nickel

For quantities greater than listed, call for quote.

MOUSER STOCK NO.	Bomar Part No.	Fig.	Imp. Ω	Description	RG Cable Type	Price Each			
						1	10	25	100
678-1210A204M	1210A204M	A	50	Straight Cable Plug	174/U	3.67	3.33	3.20	3.04
678-1213A204M	1213A204M	B	50	Right Angle Plug	174/U	3.75	3.41	3.28	3.10

## BNC COAXIAL CRIMP PLUGS

- High quality machined construction
- Semi-captive contacts that "click" into place assuring perfect installation

For quantities greater than listed, call for quote.

MOUSER STOCK NO.	Bomar Part No.	Fig.	Imp. Ω	RG Cable Type	Price Each			
					1	10	25	100
<b>3 Piece, Dual Crimp</b>								
678-310A205F	310A205F	C	50	58/U,58C/U,141	3.91	3.57	3.45	3.28
678-310A205G	310A205G	C	50	59, 62, 210	2.48	2.25	2.18	2.00
678-310A205MV	310A205MV	C	50	174, 179, 196	3.13	2.85	2.83	2.51
678-310A205P	310A205P	C	50	223	3.54	3.22	3.01	2.83
678-310B205MV	310B205MV	C	75	174, 178, 196	3.98	3.51	3.38	3.13
<b>Inline Splice Adaptor</b>								
678-332A705	332A705	D	75	-----	3.62	3.29	3.17	2.80
678-332A505	332A505	D	50	-----	4.25	3.87	3.73	3.43

## BNC PRINTED CIRCUIT BOARD RIGHT ANGLE JACKS

- 50Ω versions have been approved by most U.S. manufacturers of LAN cards.
- 75Ω versions are in wide use in High Definition Video which require the use of a true 75Ω connector

For quantities greater than listed, call for quote.

MOUSER STOCK NO.	Bomar Part No.	Fig.	Imp. Ω	Description	Body Material	Price Each			
						1	10	25	100
678-364A595	364A595	E	50	Standard profile w/posts	White Valox	2.10	1.91	1.76	1.65
678-364A595B	364A595B	E	50	Standard profile w/posts	Black Valox	2.03	1.85	1.63	1.52
678-364A795	364A795	E	75	Standard profile w/posts	White Valox	2.10	1.91	1.76	1.65
678-364A795B	364A795B	E	75	Standard profile w/posts	Black Valox	1.93	1.86	1.82	1.75
678-364A595BL	364A595BL	E	50	Low profile with posts	White Valox	2.10	1.91	1.76	1.65
678-364A795BL	364A795BL	E	75	Low profile with posts	White Valox	2.22	2.01	1.94	1.79
678-364M595	364M595	F	50	Standard profile w/posts	Nickel / Zinc	3.32	3.02	2.91	2.67
678-364M595L	364M595L	F	50	Low profile with posts	Nickel / Zinc	3.06	2.79	2.68	2.54
678-364M795	364M795	F	75	Standard profile w/posts	Metal	2.98	2.70	2.61	2.39
678-364M595M	364M595M	G	50	Super low profile w/clips	Nickel / Zinc	2.98	2.71	2.45	2.29
678-364A2595	364A2595	H	50	X-2 Dual stacked	White Valox	7.46	6.79	6.36	6.02
678-364A2795	364A2795	H	75	X-2 Dual stacked	White Valox	8.06	7.34	7.08	6.65
678-364A2795B	364A2795B	H	75	X-2 Dual stacked	Black Valox	6.88	6.59	6.35	6.13
678-364A2795FS	364A2795FS	H	75	X-2 Dual full shield	White Valox	9.65	9.26	8.72	8.64
678-364M2595	364M2595	I	50	X-2M Dual stacked	Nickel / Zinc	11.12	10.11	9.69	8.97
678-364M2795	364M2795	I	75	X-2M Dual stacked	Nickel / Zinc	11.12	10.28	8.67	8.61
678-364M2795FS	364M2795FS	I	75	X-2M Dual full shield	Nickel / Zinc	12.64	11.74	11.49	11.19
678-364NT	364NT	--	--	Jam nut	Nickel	.65	.597	.576	.535
678-364KNT	364KNT	--	--	Knurled nut	Nickel	.73	.659	.647	.596
678-364LW	364LW	--	--	Lock washer	Nickel	.28	.26	.257	.247

## PRINTED CIRCUIT BOARD EDGE MOUNT JACKS

- V-Bite™ features an award winning PCB lock-in design providing extreme anti-rotation.
- E-Snap™ snaps into 2 holes in PC board and locks into place for reflow soldering.

For quantities greater than listed, call for quote.

MOUSER STOCK NO.	Bomar Part No.	Fig.	Imp. Ω	Type	Description	Price Each			
						1	10	25	100
<b>V-Bite™</b>									
678-361V509E	361V509E	J	50	BNC	Polyethylene Insul.	3.35	3.06	2.95	2.83
678-361V504ER	361V504ER	J	50	BNC	Teflon insul.for reflow	5.05	4.60	4.44	4.08
678-361V504EFT	361V504EFT	K	50	BNC	Teflon insul./flange	4.30	3.91	3.66	3.47
678-361V504ET	361V504ET	L	50	BNC	Teflon insul.for reflow	4.14	3.75	3.63	3.33
678-361V704ER	361V704ER	J	75	BNC	Teflon insul.for reflow	4.00	3.64	3.51	3.22
678-361V704EFT	361V704EFT	K	75	BNC	Teflon insul./flange	4.95	4.50	4.31	3.99
678-361VH704EFT	361VH704EFT	K	75	BNC	w/Thread and flange, 4GHz	6.63	6.35	6.19	5.88
678-161V504EFT	161V504EFT	M	50	N	w/Flange TFE insul./re-flow	15.26	13.88	13.30	11.51
678-861V509ER	861V509ER	N	NCI	F	Teflon for reflow, RG59	5.08	4.63	4.46	4.22
678-861V509ER6	861V509ER6	N	75	F	Teflon for reflow, RG6/59	4.57	4.12	3.87	3.65
678-861VH509ER6	861VH509ER6	N	75	F	Teflon for reflow, RG6/59, 5GHz	4.73	4.56	4.23	4.16
<b>E-Snap™</b>									
678-961E504	961E504	O	50	SMA	PTFE Insul.	4.38	3.99	3.85	3.53

## F SERIES PRINTED CIRCUIT BOARD AND CABLE CONNECTORS

- These F type connectors are widely used in CATV, MATV, and CCTV.

For quantities greater than listed, call for quote.

MOUSER STOCK NO.	Bomar Part No.	Fig.	Description	Body Material	Price Each			
					1	10	25	100
<b>PCB Connectors-Non Constant Impedance</b>								
678-861A509	861A509	P	Jack, straight	Vertical	1.73	1.57	1.52	1.40
678-864B509	864B509	Q	Jack, long, .90" barrel	Right Angle	2.44	2.21	2.13	1.95
678-864B509S	864B509S	R	Jack, short, .70" barrel	Right Angle	1.73	1.58	1.51	1.39
678-866B509	866B509	S	Male, direct to tuner connection	Right Angle	3.01	2.74	2.64	2.44
678-864NT	864NT	--	Nut	---	.32	.30	.298	.27
678-864LW	864LW	--	Washer	---	.18	.17	.165	.158
678-864LW	864LW	--	Washer	---	.18	.17	.165	.158

## BNC BULKHEAD JACKS

- These jacks are held into the panel by a hex-nut and lock washer.
- All units feature nickel plated, brass bodies, and gold phosphor-bronze contacts

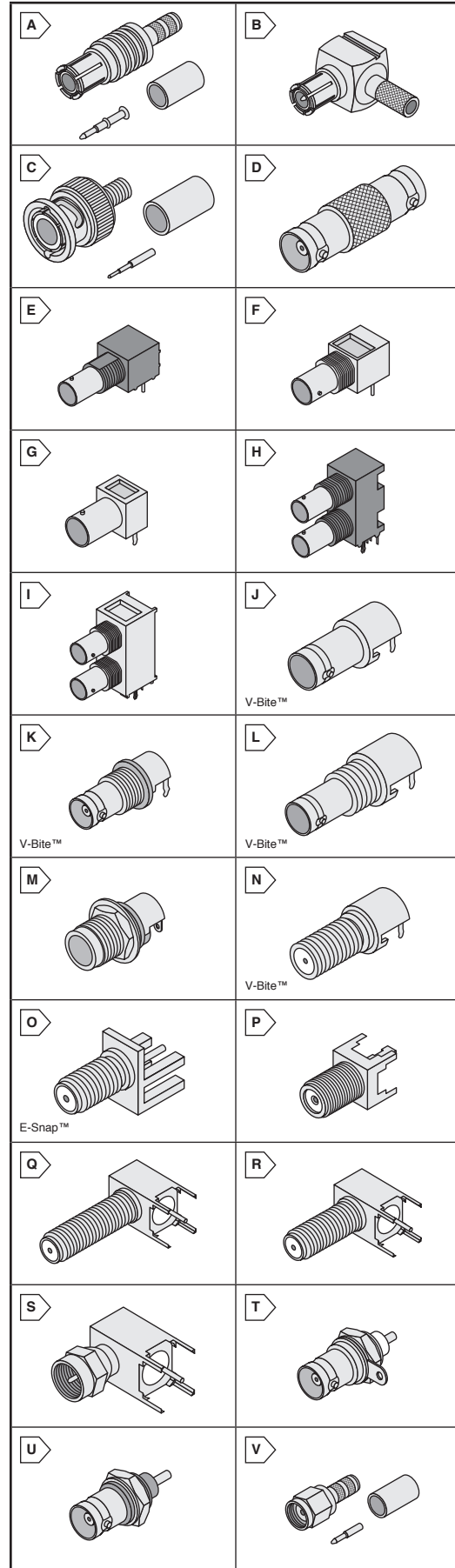
For quantities greater than listed, call for quote.

MOUSER STOCK NO.	Bomar Part No.	Fig.	Description	Price Each			
				1	10	25	100
678-326A515	326A515	T	F/M Solder, Grounded	2.47	2.24	2.17	2.09
678-326R515	326R515	U	F/M Solder, Isolated, White Bushing	2.98	2.71	2.62	2.41
678-326R515RD	326R515RD	U	F/M Solder, Isolated, Red Bushing	4.24	3.75	3.62	3.45
678-326R515GN	326R515GN	U	F/M Solder, Isolated, Green Bushing	4.25	3.75	3.62	3.54
678-326R515BL	326R515BL	U	F/M Solder, Isolated, Blue Bushing	4.12	3.75	3.62	3.23

## SMA CONNECTOR

For quantities greater than listed, call for quote.

MOUSER STOCK NO.	Bomar Part No.	Fig.	Description	Mount/Cable Type	Price Each			
					1	10	25	100
678-910A205F	910A205F	V	Straight Crimp Plug, Nickel Body	RG58/U, 141/U, 142/U	5.05	4.95	3.80	2.69



RF Connectors

Bomar