

# RF Connectors



## 9178 SERIES IDC SMT COAX CONNECTORS

**Features:**

- "Gas Tight" IDC termination for long term reliability
- Simple strip, insert and press down termination process
- High temperature endurance testing for 1000 hrs at 125°C
- Industrial operating temperature range for harsh environments

**Electrical Specifications:**

- Current Rating: 0.5A (Current limit is cable dependent)
- Voltage Rating: 125V
- VSWR less than 1.2:1 in excess of 700MHz
- Operating Temperature: -40°C to +125°C

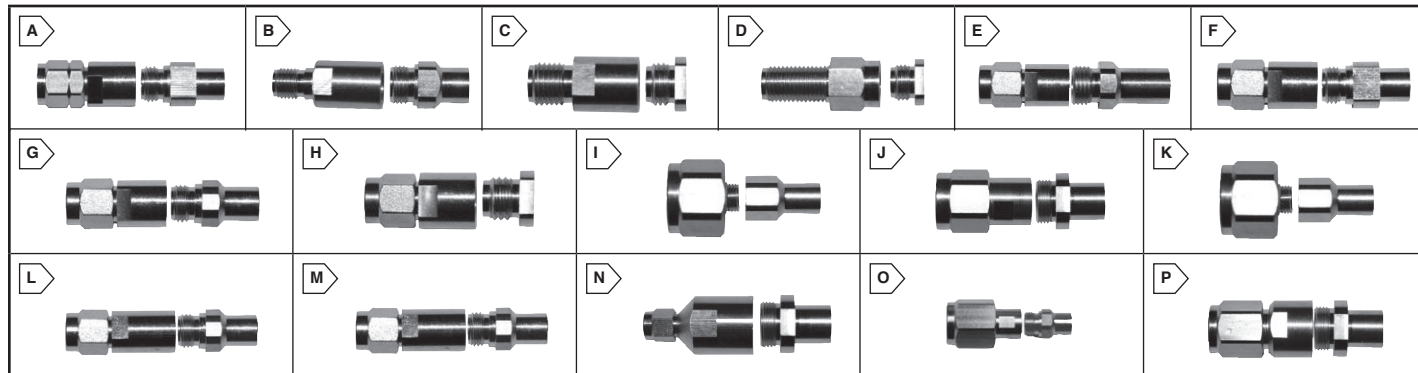


RoHS Compliant



For quantities greater than listed, call for quote.

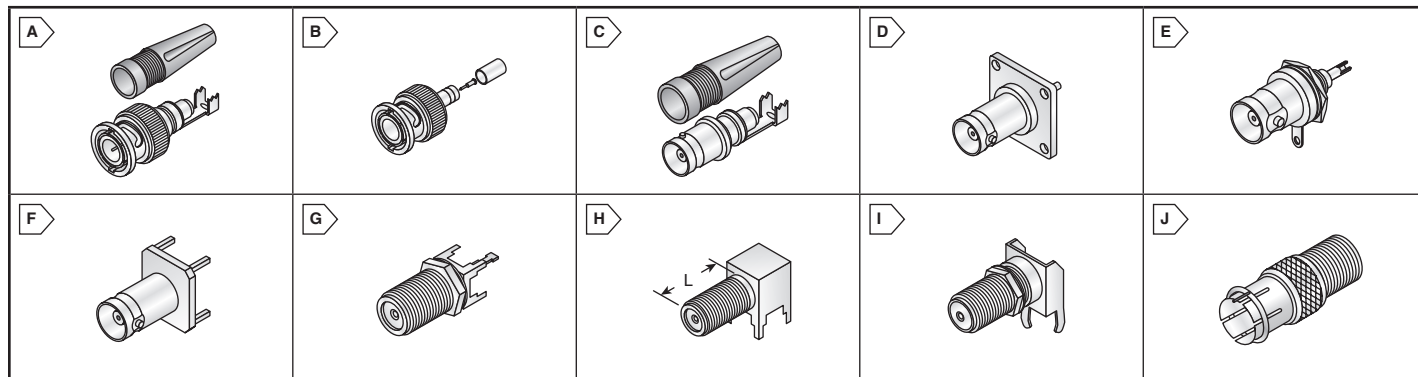
MOUSER STOCK NO.	AVX Part No.	Description	Cable Type	Price Each			
				1	50	100	350
581-009178001001006	009178001001006	50Ω IDC SMT Coax Receptacle, Black	RG178B/U	2.70	2.05	1.80	1.64



## HIGH PERFORMANCE RF CONNECTORS

MOUSER STOCK NO.	Mfr.	Mfr. Part No.	Fig.	Cable Type	Style	Gender	Price Each		
							1	5	10
<b>2.4 mm</b>									
549—CS-DM-MJB	A			IW 1501	Plug	Male	61.79	59.73	57.67
<b>2.92 mm</b>									
549—CS-FF-MJB	B			IW 1501	Jack	Female	49.68	48.02	46.37
549—CS-FF-MSB	B			Semflex HP160	Jack	Female	43.05	42.39	41.40
549—CS-FF-MSR	C			0.085 Semi Rigid RG405	Jack	Female	47.78	46.18	44.59
549—CS-FFB-MSR	D			0.085 Semi Rigid RG405	BulkHead	Female	55.58	53.72	51.87
549—CS-FM-MHA	E			Harbour LL142	Plug	Male	38.52	37.24	35.95
549—CS-FM-MJB	F			IW 1501	Plug	Male	38.52	37.24	35.95
549—CS-FM-MSB	G			Semflex HP160	Plug	Male	38.52	37.24	35.95
549—CS-FM-MSC	G			Semflex HP190	Plug	Male	38.52	37.24	35.95
549—CS-FM-MSR	H			0.085 Semi Rigid RG405	Plug	Male	47.78	46.18	44.59
<b>N-Type</b>									
549—CS-NM-MHA	I			Harbour LL142	Plug	Male	32.18	31.10	30.03
549—CS-NM-MSC	I			Semflex HP190	Plug	Male	32.18	31.10	30.03

MOUSER STOCK NO.	Mfr.	Mfr. Part No.	Fig.	Cable Type	Style	Gender	Price Each		
							1	5	10
<b>SMA</b>									
549—CS-NM-MSD	J			Semflex LA290	Plug	Male	36.08	34.87	33.67
<b>N-Type (Cont.)</b>									
<b>SMA</b>									
549—CS-SF-MHA	K			Harbour LL142	Jack	Female	43.88	42.41	40.95
549—CS-SF-MSC	K			Semflex HP190	Jack	Female	43.88	42.41	40.95
549—CS-SM-MHA	L			Harbour LL142	Plug	Male	26.33	25.45	24.57
549—CS-SM-MHD	M			Harbour SS402	Plug	Male	26.33	25.45	24.57
549—CS-SM-MSB	M			Semflex HP160	Plug	Male	44.93	43.42	41.93
549—CS-SM-MSC	M			Semflex HP190	Plug	Male	26.33	25.45	24.57
549—CS-SM-MSD	N			Semflex LA290	Plug	Male	36.08	34.87	33.67
<b>TNC</b>									
549—CS-TM-MHA	O			Harbour LL142	Plug	Male	32.18	31.10	30.03
549—CS-TM-MSC	O			Semflex HP190	Plug	Male	32.18	31.10	30.03
549—CS-TM-MSD	P			Semflex LA290	Plug	Male	36.08	34.87	33.67



## KOBICONN BNC, TNC CONNECTORS, AND ADAPTERS

Designed for the requirements of commercial applications that do not require performance above 1-3GHz.

- Nickel plated pins
- Delrin insulators
- For instrumentation, medical equipment

For quantities greater than listed, call for quote.

MOUSER STOCK NO.	Fig.	Description	RG/U Cable Type	Price Each			
				1	10	100	500
<b>BNC Connectors</b>							
171-9311	A	BNC plug connector, w/ strain relief	58	2.05	1.57	1.43	1.30
171-9314	B	BNC plug, crimp type	58	2.08	1.41	1.28	1.17
161-9312	C	BNC jack with strain relief	58	2.84	2.18	1.98	1.80
161-9320	D	BNC receptacle, panel mount	-----	2.71	2.08	1.89	1.72
161-9323	E	BNC chassis receptacle	-----	2.14	1.65	1.49	1.36

## KOBICONN COMMERCIAL BNC/TNC CONNECTORS 50 OHM IMPEDANCE

- Impedance: 50Ω
- Frequency range: 0-4 GHz
- VSWR: 1.3:1 max.
- Vibration, shock, moisture resistance
- Contact resistance: inner contact - 1.5mΩ max. outer contact - 2mΩ max.
- Voltage rating: 500VRMS
- Insulation resistance: 5000MΩ min.
- Temperature range: -55°C to +85°C

**Receptacles**

For quantities greater than listed, call for quote.

MOUSER STOCK NO.	Fig.	Description	Price Each			
			1	10	100	500
161-9317	F	Vertical PCB receptacle	3.77	2.90	2.64	2.40

## KOBICONN F TYPE CONNECTORS

**(CATV / MATV) Type**

For quantities greater than listed, call for quote.

MOUSER STOCK NO.	Fig.	Description	Price Each			
			1	10	100	500
161-5370	G	F-61 PC mount receptacle	1.10	.84	.77	.70
161-5371	H	F-61 PC mount receptacle, right angle L= .92"	3.83	2.95	2.24	1.90
161-5372	I	F receptacle, panel mount, right angle	2.03	1.56	1.42	1.29
161-5369	J	F Jack to push-on plug	1.27	.98	.89	.81