

# AMPHENOL RF Connectors

Amphenol®



This product is RoHS compliant.

## AMPHENOL QMA CONNECTORS

QMA is a quick disconnect version of the SMA connector. Instead of using a threaded coupling mechanism, a snap-lock mechanism is used.

### Features:

- Operates at the same electrical performance as SMA
- Snap-on interface for quick and easy installation (can be installed 10x faster than SMA)
- Snap-Lock mechanism removes requirement for wrench clearance, allowing for denser packaging
- Rotatable 360° after connection

### Specifications:

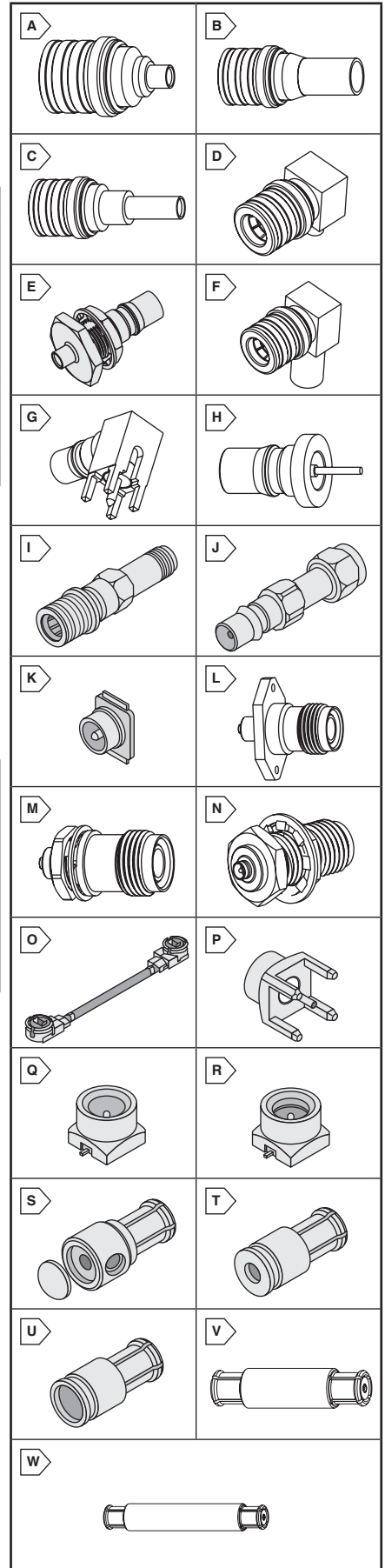
- Impedance: 50Ω
- Frequency Range: 0-6GHz
- VSWR: 1.05 max DC to 3 GHz, 1.12 max 3 to 6GHz
- Temperature Range: -40°C to +80°C
- Body Material: White Bronze over Brass
- Durability: 100 cycles
- Power Handling: 125W at 40°C

### Applications:

- Base Stations
- Instrumentation
- Process Controls
- Cable Assemblies
- Mill/Aero
- Telecom
- Components
- PC/LAN

For quantities greater than listed, call for quote.

MOUSER STOCK NO.	Amphenol Part No.	Fig.	Description/Cable	Crimp Tool	Price Each			
					1	10	25	100
<b>Plugs</b>								
523-930-119P-51S	930-119P-51S	A	Straight Solder, .085, .087 Semi-Rigid	-	11.19	10.30	9.52	9.00
523-930-120P-51S	930-120P-51S	B	Straight Crimp, 89907, B7806A, RG11, RG58, RG58C	CTL-1	11.63	10.43	9.38	7.64
523-930-129P-51S	930-129P-51S	C	Straight Crimp, RG174, RG188A	CTL-9	12.91	11.79	9.94	9.24
523-930-104P-51A	930-104P-51A	D	Right Angle Solder, .085, .087 Semi-Rigid	-	12.93	11.94	11.06	10.39
523-930-103P-51A	930-103P-51A	E	Right Angle Solder, .141 Semi-Rigid	-	13.56	11.36	10.22	10.22
523-930-110P-51A	930-110P-51A	F	Right Angle Crimp, 89907, B7806A, RG11, RG58, RG58C	CTL-1	14.35	11.55	10.39	10.19
<b>PCB Jacks</b>								
523-930-121J-51S	930-121J-51S	E	.085, .087 Semi-Rigid, Bulkhead	-	9.69	9.12	8.56	8.56
523-930-128J-51P	930-128J-51P	G	Right Angle	-	11.07	10.27	9.55	9.35
523-930-107J-51P	930-107J-51P	H	Vertical Surface Mount Thru-Hole	-	9.05	8.10	7.54	7.00
<b>Adapters-Between Series</b>								
523-930-101A-51S	930-101A-51S	I	QMA Plug to SMA Jack	-	56.19	51.36	40.37	39.38
523-930-131A-51S	930-131A-51S	J	QMA Jack to SMA Plug	-	63.90	57.73	43.30	39.95



## AMPHENOL AMC CONNECTORS AND CABLE ASSEMBLIES

### Features:

- Easy snap-on / snap-off mating
- Ultra low-profile (2.5mm mating height)
- Small footprint (3mm x 3mm)

### Specifications:

- Impedance: 50Ω
- Frequency Range: 0-6GHz
- VSWR: 1.3 max DC to 3GHz, 1.4 max 3 to 6GHz
- Temperature Range: -40°C to +90°C
- Durability: 30 cycles
- Mating Female contact holding force: 0.15N min
- Body Material: Silver over Phosphor Bronze

### Applications:

- WLAN
- Bluetooth
- PDA
- Notebook computers
- GPS
- Portable Devices
- Remote Measuring Equipment

For quantities greater than listed, call for quote.

MOUSER STOCK NO.	Amphenol Part No.	Fig.	Description	Price Each			
				1	10	25	100
<b>Receptacle</b>							
523-A-1JB	A-1JB	K	AMC PCB Jack, Surface Mount	.62	.57	.43	.39
<b>Adapters</b>							
523-31-6101	31-6101	L	AMC Plug to TNC-RP Jack, 2 Hole Flange	11.10	9.99	9.06	8.32
523-31-6112	31-6112	M	AMC Plug to TNC-RP Jack, Bulkhead Front Mount	13.00	11.96	11.09	10.33
523-901-10097	901-10097	N	AMC Plug to SMA-RP Jack, Bulkhead Rear Mount	5.82	5.36	4.97	4.72
<b>Cable Assemblies</b>							
523-A-1PA-113-100G2	A-1PA-113-100G2	O	100mm, Right Angle Plug Jumper, Gray Cable	2.52	2.29	2.10	1.93
523-A-1PA-113-125W2	A-1PA-113-125W2	O	125mm, Right Angle Plug Jumper, White Cable	3.48	3.13	2.85	2.60
523-A-1PA-113-150B2	A-1PA-113-150B2	O	150mm, Right Angle Plug Jumper, Black Cable	3.00	2.92	2.69	2.59
523-A-1PA-113-300B2	A-1PA-113-300B2	O	300mm, Right Angle Plug Jumper, Black Cable	3.33	3.00	2.60	2.19
523-A-1PA-113-330B2	A-1-1PA-330B2	O	330mm, Right Angle Plug Jumper, Black Cable	3.48	3.16	2.90	2.67

\*Contact your Mouser Sales Representative for additional color and length options.

## AMPHENOL SMP CONNECTORS

The SMP interface is a subminiature interface in the same scale as MMCX connectors but offers a frequency range of DC to 40GHz.

### Features:

- RF performance DC to 40GHz
- Designed to accommodate both radical and axial misalignment
- Push-on and Snap-on mating styles for quick installation

### Specifications:

- Impedance: 50Ω
- VSWR: 1.50 max 0-20GHz
- Temperature Range: -65°C to +155°C
- Contacts: Gold-plated brass, Gold plated beryllium copper
- Mating Cycles: 100 with full detent, 500 with limited detent
- Body Material: Gold plated brass, Gold Plated beryllium copper

### Applications:

- Aerospace
- Routers
- Broadband
- Telecom
- Board to Board
- Interconnect
- Instrumentation
- Phased array antennas

For quantities greater than listed, call for quote.

MOUSER STOCK NO.	Amphenol Part No.	Fig.	Description / Cable	Termination	Price Each			
					1	10	25	100
<b>Plugs</b>								
523-SMP-MSLD-PCT	SMP-MSLD-PCT	P	Vert PCB Plug, Thru-Hole, Limited Detent	PCB Mount	14.28	13.00	9.74	9.21
523-SMP-MSLD-PCS	SMP-MSLD-PCS	Q	Vert PCB Plug, SMT, Limited Detent	PCB Mount	9.01	8.47	7.88	7.26
523-SMP-MSLD-PCR	SMP-MSLD-PCR	R	Vert PCB Plug, Rear Mount, Limited Detent	PCB Mount	10.68	9.62	8.75	8.01
523-SMP-MSSB-PCS	SMP-MSSB-PCS	Q	Vert PCB Plug, SMT, Smooth Bore	PCB Mount	9.45	8.47	7.88	7.26
523-SMP-MSSB-PCR	SMP-MSSB-PCR	R	Vert PCB Plug, Rear Mount, Smooth Bore	PCB Mount	14.28	13.00	9.74	9.21
<b>Jacks</b>								
523-SMP-FR-C06	SMP-FR-C06	S	R/A Cable Jack to .047 Semi-Rigid	Solder/Solder	14.11	12.73	12.15	11.88
523-SMP-FR-C07	SMP-FR-C07	S	R/A Cable Jack to RG 405, .086 Semi-Rigid	Solder/Solder	11.39	11.11	9.91	9.27
523-SMP-FS-C06	SMP-FS-C06	T	ST Cable Jack to .047 Semi-Rigid	Solder/Solder	13.59	12.54	11.68	11.65
523-SMP-FS-C07	SMP-FS-C07	U	ST Cable Jack to RG 405, .086 Semi-Rigid	Solder/Solder	15.78	13.55	12.59	10.72
<b>Adapters</b>								
523-SMP-FSBA-145	SMP-FSBA-145	V	ST SMP Jack to SMP Jack, 14.5mm	- - -	22.63	22.07	19.69	18.42
523-SMP-FSBA-224	SMP-FSBA-224	W	ST SMP Jack to SMP Jack, 22.4mm	- - -	14.24	12.83	12.24	11.97