

AMPHENOL N and TNC Series RF Connectors Amphenol®

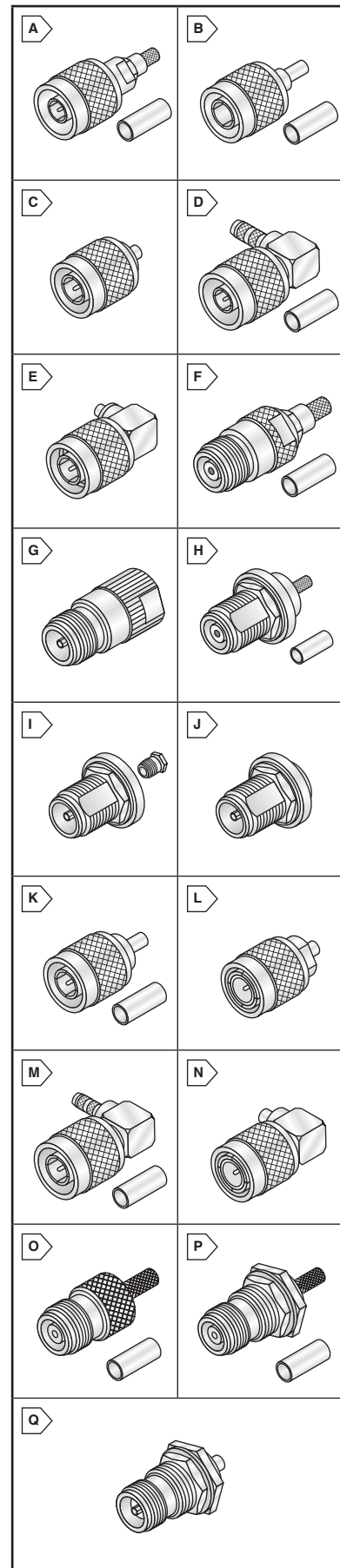
RoHS Compliant This product is RoHS compliant.

N SERIES FOR LMR AND SEMI-RIGID CABLES

- Impedance: 50Ω
- Finish: Nickel
- Frequency Range: 0-11GHz
- Body Material: Brass
- Center Contact: 3μ" Gold
- Insulation: Teflon

For quantities greater than listed, call for quote.

MOUSER STOCK NO.	Amphenol Part No.	Fig.	Description	Cable	Crimp Tool	Price Each			
						1	10	25	100
523-172128	172128	A	Straight Crimp Plug	LMR 100/ RG316/U	47-10150	8.46	7.99	7.20	6.87
523-172171	172171	A	Straight Crimp Plug	316 Double Braid	47-10150	7.41	6.77	6.29	5.11
523-172142	172142	A	Straight Crimp Plug	RG 223/142/400	47-10180	3.81	3.48	3.17	2.84
523-172100	172100	A	Straight Crimp Plug	LMR 195/RG58/U	47-10180	3.85	3.47	3.18	2.93
523-172214	172214	A	Straight Crimp Plug	LMR 200	47-10180	4.86	4.44	4.09	3.80
523-172135	172135	A	Straight Crimp Plug	LMR 240/8X	47-10180	4.38	3.98	3.65	3.38
523-172206	172206	A	Straight Crimp Plug	LMR 600	.610 Hex	15.86	14.51	12.84	11.78
523-172102	172102	A	Straight Crimp Plug	RG 8, 213	47-10090	4.35	3.97	3.56	3.29
523-172166	172166	A	Straight Crimp Plug	RG 214	47-10090	5.43	4.93	4.51	3.91
523-172101	172101	A	Straight Crimp Plug	RG 59	47-10180	4.79	4.41	4.09	3.84
523-172102H243	172102H243	A	Straight Crimp Plug	LMR 400/B9913	47-10210	3.91	3.55	3.26	3.00
523-172113H243	172113H243	B	Straight Clamp Plug	LMR 400/B9913	---	6.79	6.18	5.49	5.04
523-172133	172133	C	Straight Solder Plug	.141 Semi-Rigid	---	5.95	5.47	4.97	4.26
523-172211	172211	C	Straight Solder Plug	.085 Semi-Rigid	---	5.36	4.88	4.34	4.16
523-172139	172139	C	Straight Solder Plug	.250 Semi-Rigid	---	5.54	5.05	4.48	4.09
523-172180	172180	D	Right Angle Crimp Plug	LMR 100/ RG316/U	47-10150	9.83	8.92	8.16	7.44
523-172177	172177	D	Right Angle Crimp Plug	LMR 195/RG58/U	47-10180	8.51	7.78	7.16	6.63
523-172178	172178	D	Right Angle Crimp Plug	RG 223/142/400	47-10070	10.28	9.30	8.47	7.71
523-172176	172176	D	Right Angle Crimp Plug	RG 8/213	47-10210	9.95	9.02	8.23	7.33
523-172215	172215	D	Right Angle Crimp Plug	LMR 200	47-10070	17.22	15.78	14.49	13.45
523-172219	172219	D	Right Angle Crimp Plug	LMR 240/8X	47-10180	8.85	7.98	7.31	6.76
523-172176	172176	D	Right Angle Crimp Plug	LMR 400/B9913	47-10210	9.95	9.02	8.23	7.33
523-172266	172266	E	Right Angle Solder Plug	.250 Semi-Rigid	---	11.74	10.68	9.50	8.81
523-172204	172204	F	Straight Crimp Jack	LMR 100/ RG316/U	47-10150	7.14	7.03	6.94	5.13
523-172103	172103	F	Straight Crimp Jack	LMR 195/RG58/U	47-10180	4.26	3.89	3.53	3.23
523-172216	172216	F	Straight Crimp Jack	LMR 200	47-10180	9.76	9.27	8.56	7.31
523-172147	172147	F	Straight Crimp Jack	RG55/142/223/400	47-10180	6.00	5.68	5.03	4.54
523-172148	172148	F	Straight Crimp Jack	LMR 240/8X	47-10180	4.29	3.92	3.58	3.12
523-172203	172203	F	Straight Crimp Jack	LMR 400/B9913	47-10210	8.55	7.87	7.09	6.36
523-172238	172238	G	Straight Solder Jack	.141 Semi-Rigid	---	4.55	4.14	3.68	3.60
523-172237	172237	G	Straight Solder Jack	.085 Semi-Rigid	---	5.46	4.97	4.42	4.09
523-172129	172129	H	Bulkhead Crimp Jack	LMR 100/ RG316/U	47-10150	5.82	5.27	4.85	4.46
523-172132	172132	H	Bulkhead Crimp Jack	RG 223/142	47-10180	6.93	6.33	5.81	5.34
523-172217	172217	H	Bulkhead Crimp Jack	LMR 200	47-10180	6.18	5.65	4.97	4.68
523-172108	172108	H	Bulkhead Crimp Jack	RG 8/213	47-10180	8.89	8.11	7.54	6.97
523-172106	172106	H	Bulkhead Crimp Jack	LMR 195/RG58/U	47-10180	6.68	6.24	5.79	5.03
523-172149	172149	H	Bulkhead Crimp Jack	LMR 240/8X	47-10180	6.51	5.90	5.41	4.99
523-172220	172220	H	Bulkhead Crimp Jack	LMR 400/B9913	47-10210	7.09	6.53	6.11	5.61
523-172143	172143	I	Bulkhead Clamp Jack	LMR 100/ RG316/U	---	9.01	8.25	7.43	6.13
523-172137	172137	J	Bulkhead Solder Jack	.141 Semi-Rigid	---	7.36	6.63	5.95	5.48
523-172138	172138	J	Bulkhead Solder Jack	.085 Semi-Rigid	---	7.99	7.16	6.58	6.07
523-172153	172153	J	Bulkhead Solder Jack	.250 Semi-Rigid	---	8.86	8.12	7.79	6.25



Amphenol RF Connectors

TNC SERIES FOR LMR AND SEMI-RIGID CABLES

- Impedance: 50Ω
- Body Material: Brass
- Insulation: Delrin (or Teflon *)
- 50Ω and 75Ω intermateable
- Frequency Range: 0-11GHz
- Finish: Nickel
- Center Contact: 3μ" Gold

For quantities greater than listed, call for quote.

MOUSER STOCK NO.	Amphenol Part No.	Fig.	Description	Cable	Crimp Tool	Price Each			
						1	10	25	100
523-122116	122116	K	Straight Crimp Plug	LMR 100/ RG316/U	47-10070	2.16	1.91	1.63	1.58
523-122117	122117	K	Straight Crimp Plug	RG179/187/139221	47-10150	11.58	11.09	10.64	9.54
523-122108	122108	K	Straight Crimp Plug	LMR 100/ RG58/U	47-10070	1.46	1.31	1.19	1.10
523-122410	122410	K	Straight Crimp Plug	LMR 200	47-10070	3.78	3.33	3.78	2.73
523-122408	122408	K	Straight Crimp Plug	LMR 240/8X	47-10070	2.02	1.83	1.72	1.64
523-122372	122372	K	Straight Crimp Plug	RG55/U/142A/U/223/U/400/U	47-10070	1.66	1.50	1.37	1.26
* 523-122393	122393	K	Straight Crimp Plug	LMR 400/B9913	47-10210	5.38	4.88	4.47	4.14
* 523-122386	122386	L	Straight Solder Plug	.141 Semi-Rigid	---	3.61	3.17	2.92	2.65
* 523-122387	122387	L	Straight Solder Plug	.085 Semi-Rigid	---	15.05	13.74	11.55	10.58
* 523-122484	122484	L	Straight Solder Plug	.250 Semi-Rigid	---	8.52	7.76	7.08	6.42
523-122148	122148	M	Right Angle Crimp/Solder Plug	LMR 100/ RG316/U	47-10150	3.91	3.58	3.07	2.85
523-122140	122140	M	Right Angle Crimp/Solder Plug	LMR 100/ RG58/U	47-10070	3.04	2.90	2.65	2.49
* 523-122414	122414	M	Right Angle Crimp/Solder Plug	LMR 240/8X	47-10070	5.83	5.29	4.83	4.33
523-122416	122416	M	Right Angle Crimp/Solder Plug	LMR 400/B9913	47-10210	6.44	5.86	5.34	4.44
* 523-122422	122422	N	Right Angle Solder Plug	.141 Semi-Rigid	---	6.71	6.14	4.85	4.77
* 523-122420	122420	N	Right Angle Solder Plug	.085 Semi-Rigid	---	5.16	4.49	4.41	4.41
523-122138	122138	O	Straight Crimp Jack	LMR 100/ RG316/U	47-10150	2.63	2.41	2.35	2.00
* 523-122122	122122	O	Straight Crimp Jack	LMR 100/ RG58/U	47-10070	2.29	2.07	1.90	1.76
523-122409	122409	O	Straight Crimp Jack	LMR 240/8X	47-10070	4.62	4.24	3.74	3.47
* 523-122392	122392	O	Straight Crimp Jack	LMR 400/B9913	47-10210	4.63	4.47	3.89	3.66
523-122192	122192	P	Bulkhead Crimp Jack	LMR 100/ RG316/U	47-10150	3.19	2.86	2.61	2.41
* 523-122160	122160	P	Bulkhead Crimp Jack	LMR 100/ RG58/U	47-10070	3.92	3.60	3.10	2.92
* 523-122415	122415	P	Bulkhead Crimp Jack	LMR 240/8X	47-10070	4.94	4.52	4.01	3.72
* 523-122401	122401	Q	Bulkhead Solder Jack	.141 Semi-Rigid	---	7.33	6.89	6.01	5.62
* 523-122400	122400	Q	Bulkhead Solder Jack	.085 Semi-Rigid	---	7.45	7.06	6.25	5.84