

AMPHENOL RF Connectors

Amphenol®

RoHS Compliant This product is RoHS compliant.

MCX CONNECTORS

Connectors conform to the European CE CC 22220 spec. The MCX uses identical inner contact and insulator dimensions as the SMB yet is 30% smaller.

- Impedance: 50Ω
- Frequency Range: 0-6GHz
- Temperature Range: -65°C to 165°C
- Connector Durability: 500 matings
- Mating: Quick snap-on coupling
- Contact Plating: Gold

Straight Plugs

For quantities greater than listed, call for quote.

MOUSER STOCK NO.	Amphenol Part No.	Fig.	Cable Attachment Outer-Inner	Body Plating	RG Cable/ Description	Crimp Tool No.	Price Each		
							1	10	25
523-919-120P-51SX	919-120P-51SX	A	Solder-Solder	Gold	.085" Semi Rigid, 405	----	8.33	7.66	7.09
523-919-121P-51SX	919-121P-51SX	B	Crimp-Solder	Gold	178, 196, .071" Outer Diameter	CTL-13	6.90	6.27	5.75
523-919-101P-51SX	919-101P-51SX	B	Crimp-Solder	Gold	174, 188A, 316, Belden 7805	CTL-13	7.01	6.27	5.73
523-919-101P-51SIX	919-101P-51SIX	B	Crimp-Solder	Nickel	174, 188A, 316, Belden 7805	CTL-13	6.84	6.52	5.97

Right Angle Plugs

For quantities greater than listed, call for quote.

MOUSER STOCK NO.	Amphenol Part No.	Fig.	Cable Attachment Outer-Inner	Body Plating	RG Cable/ Description	Crimp Tool No.	Price Each		
							1	10	25
523-919-114J-51AX	919-114J-51AX	C	Solder-Solder	Gold	.085" Semi Rigid, 405	----	9.60	8.77	8.08
523-919-103P-51AX	919-103P-51AX	C	Solder-Solder	Gold	402, .141" Semi-Rigid	----	10.63	9.77	9.07
523-919-104P-51AX	919-104P-51AX	D	Crimp-Solder	Gold	174, 188A, 316, Belden 7805	CTL-13	6.88	6.21	5.64
523-919-104P-51A1X	919-104P-51A1X	D	Crimp-Solder	Nickel	174, 188A, 316, Belden 7805	CTL-13	6.38	5.88	5.45
523-919-122P-51AX	919-122P-51AX	D	Crimp-Solder	Gold	178, 196, .071" Outer Diameter	CTL-13	11.04	10.09	9.30

Jacks

For quantities greater than listed, call for quote.

MOUSER STOCK NO.	Amphenol Part No.	Fig.	Cable Attachment Outer-Inner	Body Plating	RG Cable/ Description	Crimp Tool No.	Price Each		
							1	10	25
523-919-114J-51SX	919-114J-51SX	E	Solder-Solder	Gold	.085" Semi Rigid, 405	----	7.36	6.78	6.27
523-919-107J-51SX	919-107J-51SX	F	Crimp-Solder	Gold	174, 188A, 316, Belden 7805	CTL-13	6.45	4.68	4.38
523-919-107J-51S1X	919-107J-51S1X	F	Crimp-Solder	Nickel	174, 188A, 316, Belden 7805	CTL-13	5.14	4.73	4.50
523-919-109J-51PX	919-109J-51PX	G	PCB Mount	Gold	Vertical, .155" Legs	----	4.43	4.03	3.68
523-919-119J-51AX	919-119J-51AX	H	PCB Mount	Gold	Right Angle, .155" Legs	----	6.43	5.79	5.26
523-919-118J-51P	919-118J-51P	I	Vertical SMT	Gold	Surface Mount, .232" x .232" Base	----	6.53	5.96	5.34

MICROMATE™ MMCX CONNECTORS

- Impedance: 50Ω
- Frequency Range: 0-6GHz
- Contact Plating: Gold
- Temperature Range: -40°C to 90°C
- Connector Durability: 500 matings
- Mating: Quick snap-on coupling
- Conforms to European CFCC 22000 specifications

Straight Plugs

For quantities greater than listed, call for quote.

MOUSER STOCK NO.	Amphenol Part No.	Fig.	Cable Attachment Outer-Inner	Body Plating	RG Cable/ Description	Crimp Tool No.	Price Each		
							1	10	25
523-908-41400	908-41400	J	Solder-Solder	Gold	.085" Semi Rigid, 405	----	25.73	23.51	21.65
523-908-41200	908-41200	K	Crimp-Solder	Gold	178, 196, .071" Outer Diameter	CTL-13	8.35	7.62	7.32
523-908-41300	908-41300	K	Crimp-Solder	Gold	174, 188A, 316, Belden 7805	CTL-13	9.12	8.48	7.32
523-908-21100	908-21100	L	End Launch	Gold	PCB, Machined Construction	----	10.89	9.95	9.16

Right Angle Plugs

For quantities greater than listed, call for quote.

MOUSER STOCK NO.	Amphenol Part No.	Fig.	Cable Attachment Outer-Inner	Body Plating	RG Cable/ Description	Crimp Tool No.	Price Each		
							1	10	25
523-90843200	908-43200	M	Crimp-Solder	Gold	178, 196, .071" Outer Diameter	CTL-13	8.16	7.41	6.78
523-908-43300	908-43300	M	Crimp-Solder	Gold	174, 188A, 316, Belden 7805	CTL-13	6.50	6.38	6.27
523-908-43500	908-43500	N	Crimp-Solder	Gold	316/U, 174, 188A	CTL-13	11.00	10.06	9.26

Jacks

For quantities greater than listed, call for quote.

MOUSER STOCK NO.	Amphenol Part No.	Fig.	Cable Attachment Outer-Inner	Body Plating	RG Cable/ Description	Crimp Tool No.	Price Each		
							1	10	25
523-908-22106	908-22106	O	PCB Mount	Gold	Vertical, Machined Construction	----	12.35	11.11	10.11
523-908-22100	908-22100	P	PCB Mount	Gold	Edgecard, Thru-Hole, Straight	----	8.36	7.65	7.04
523-908-22101	908-22101	Q	Vertical SMT	Gold	Surface Mount, .170" x .170" Base	----	4.40	4.01	3.67
523-908-24100	908-24100	R	PCB Mount	Gold	Right Angle, .020" Mounting Posts	----	9.96	8.67	8.11

MHV HIGH VOLTAGE WEATHER PROOF CONNECTORS

- Body Plating: Brass
- Contact Plating: Brass, unless noted by † Beryllium

Plugs

For quantities greater than listed, call for quote.

MOUSER STOCK NO.	Amphenol Part No.	Fig.	Cable Attachment Outer-Inner	MIL Type	RG Cable/ Description	Price Each		
						1	10	25
523-29100	29100	S	Clamp	----	55, 58, 141, 142	12.32	11.37	10.26
523-28000	28000	S	Clamp	UG-932	59, 62, 71, 140, 210	13.00	12.60	10.04

Receptacles

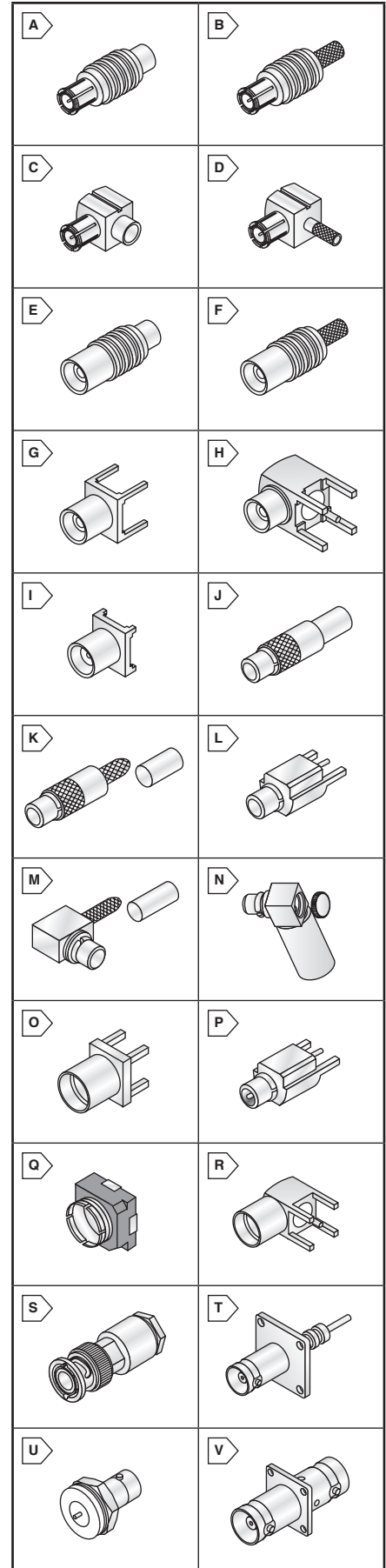
For quantities greater than listed, call for quote.

MOUSER STOCK NO.	Amphenol Part No.	Fig.	Cable Attachment Outer-Inner	MIL Type	RG Cable/ Description	Price Each		
						1	10	25
† 523-27000	27000	T	Solder Cup	UG-931	4-Hole Flange Rear Mount	10.96	10.02	9.22
† 523-27025	27025	U	Turret Contact	----	Bulkhead Receptacle	27.99	26.17	23.83
† 523-27075	27075	-	Clamp	----	59, 62, 71, 140, 210	29.01	26.51	25.53

Adapter

For quantities greater than listed, call for quote.

MOUSER STOCK NO.	Amphenol Part No.	Fig.	Cable Attachment Outer-Inner	MIL Type	RG Cable/ Description	Price Each		
						1	10	25
† 523-12650	12650	V	Jack to Jack	----	Square Flange Feed Through	78.72	74.84	71.33



RF Connectors Amphenol