

AMPHENOL RF Connectors

Amphenol®

RoHS Compliant This product is RoHS compliant.

SMA STAINLESS STEEL BODY CONNECTORS

Specifications:

- Freq. Range: 0-18GHz Semi-Rigid cable, 0-12.4GHz Flexible cable
- Insulators: PTFE (ASTM D1547)
- Connector Durability: 500 matings
- Impedance: 50Ω

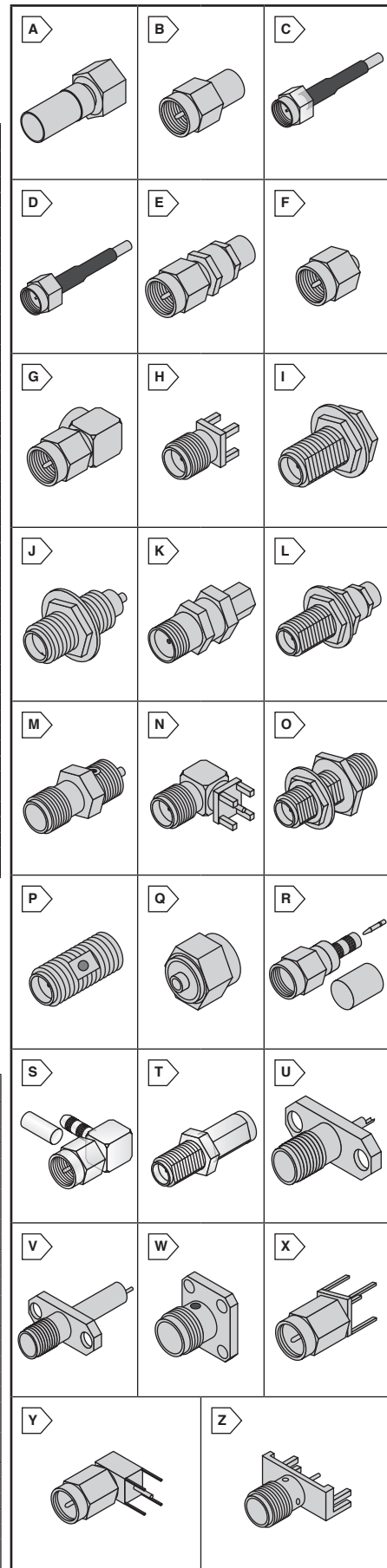
- Center Contact: Gold Plated
- Mating Coupling: 250-36 threaded coupling
- Temperature Range: -65°C to +165°C
- RF Leakage: 100 dB-f minimum @ 3GHz

Applications:

- Telecom
- Cable assemblies
- PCLAN
- Process controls
- Mil/Aero

For quantities greater than listed, call for quote.

MOUSER STOCK NO.	Amphenol Part No.	Fig.	Cable Attachment Outer-Inner	Body Plating	Cable/ Description	Crimp Tool No.	Price Each		
							1	10	25
Straight Plugs									
523-901-10011	901-10011	A	Crimp-Solder	Passivated	Belden 9258, RG-8X, LMR 240	CTL-1	10.42	9.67	9.00
523-901-9511-1	901-9511-1	B	Solder-Solder	Gold	RG-55, 142, 223, 400	CTL-1	9.99	9.07	8.03
523-901-9511-1SF	901-9511-1SF	B	Crimp-Solder	Passivated	RG-55, 142, 223, 400	CTL-1	7.51	7.50	7.49
523-901-9511-3	901-9511-3	B	Crimp-Solder	Gold	RG-174, 179B, 187A, 188A, 316	CTL-13/9	7.80	7.25	6.78
523-901-9511-3SF	901-9511-3SF	B	Crimp-Solder	Passivated	RG-174, 179B, 187A, 188A, 316	CTL-13/9	6.88	5.92	5.07
523-901-9511-1SFC	901-9511-1SFC	C	Crimp-Solder	Passivated	RG-55B, 58, 141, 142B, 223, 400	CTL-1	15.88	15.29	15.01
523-901-9511-2	901-9511-2	D	Crimp-Solder	Gold	89907, B7806A, RG-141, RG-58, RG-58C	CTL-1	22.59	20.81	18.02
523-901-9511-2SF	901-9511-2SF	D	Crimp-Solder	Gold	89907, B7806A, RG-141, RG-58, RG-58C	CTL-1	16.30	15.00	13.89
523-901-9511-12SF	901-9511-12SF	D	Crimp-Solder	Passivated	RG-174, RG-188A Double Braid 316	CTL-13/9	9.28	7.52	7.24
523-901-9601-1SF	901-9601-1SF	E	Crimp-Solder	Passivated	RG-55, 58, 141, 142, 223, 400	CTL-1	33.32	29.59	27.36
523-901-9601-3	901-9601-3	E	Crimp-Solder	Gold	RG-174, 179, 187, 188A, 316	CTL-13	21.12	19.50	18.17
523-9019723	901-9723	F	Solder-Solder	Gold	.085, .087 Semi Rigid	---	6.67	6.07	5.57
523-901-9808	901-9808	F	Solder-Solder	Gold	.141 Semi Rigid	---	6.79	6.44	6.07
Right Angle Plugs									
523-901-9531-1	901-9531-1	G	Crimp-Solder	Gold	RG-55, 142, 223, 400	CTL-1	15.23	12.80	11.85
523-901-9531-2	901-9531-2	G	Solder-Solder	Gold	89907, B7806A, RG-141, RG-58, RG-58C	---	18.30	16.85	15.61
523-901-9531-3	901-9531-3	G	Crimp-Solder	Gold	RG-174, 179, 187, 188A, 316	CTL-9	11.66	10.59	9.49
523-90195313SF	901-9531-3SF	G	Crimp-Solder	Passivated	RG-174, 179, 187, 188A, 316	CTL-9	10.21	9.02	8.37
Straight Jacks									
523-901-144	901-144	H	Blunt Post	Gold	4 Legs, Thru-Hole PCB, .155 Legs & Term.	---	8.17	7.53	6.97
523-901-144-4	901-144-4	H	Blunt Post	Gold	4 Legs, Thru-Hole PCB, .200 Legs & Term. w/Stand-Off Pads	---	17.92	17.38	17.26
523-901-9211	901-9211	I	Solder Cup	Gold	Bulkhead Rear Mount Hex Flange Epoxy Captivated	---	28.09	26.17	24.81
523-9019220	901-9220	J	Blunt Post	Gold	Bulkhead Front or Rear Mount	---	13.60	10.68	10.43
523-9019220SF	901-9220-SF	J	Blunt Post	Passivated	Bulkhead Front or Rear Mount	---	14.33	13.20	12.23
523-901-9602-3SF	901-9602-3SF	K	Crimp-Solder	Passivated	RG-174, 179, 187, 188A 316 Braid Crimp	CTL-13	42.79	40.98	40.50
523-901-9610-3	901-9610-3	L	Crimp-Solder	Gold	RG-174, 179, 187, 188A, 316	CTL-13	17.91	16.49	15.28
523-901-9841	901-9841	M	Post	Gold	Bulkhead Front Mount Hex Flange w/out Nut and Washer	---	11.70	10.90	10.22
Right Angle Jacks									
523-901-143	901-143	N	Blunt Post	Gold	PCB .155 Legs & Term., .025 Stand-Off Pads	---	11.77	10.66	9.27
523-901-143-4	901-143-4	N	Blunt Post	Gold	PCB .105 Solder Dipped Legs & Term., .025 Stand-Off Pads	---	25.78	23.55	21.68
In-Series Adapters									
523-901-9209-A	901-9209-A	O	--	Gold	Bulkhead Jack to Jack	---	14.61	12.02	11.39
523-9019209ASF	901-9209-ASF	O	--	Passivated	Bulkhead Jack to Jack	---	13.68	11.72	10.69
523-9019217	901-9217	P	--	Gold	Straight Jack to Jack	---	59.62	54.48	50.30



RF Connectors
Amphenol

SMA BRASS BODY CONNECTORS

Lower cost grade which provides approximately 30% cost reduction with 250 mating cycles.

Specifications:

- Freq. Range: 0-18GHz Semi-Rigid cable
- Insulators: PTFE Fluorocarbon
- Impedance: 50Ω
- Center Contact: Gold Plated
- Mating Coupling: .250-36 threaded coupling
- RFX=Commercial

For quantities greater than listed, call for quote.

MOUSER STOCK NO.	Amphenol Part No.	Fig.	Cable Attachment Outer-Inner	Body Plating	Cable/ Description	Crimp Tool No.	Price Each		
							1	10	25
Straight Plugs									
523-901-9867-RFX	901-9867-RFX	Q	Solder-Solder	Gold	.085" S/R, 405 (M17/133)	---	2.79	2.40	2.21
523-901-9870	901-9870	R	Crimp-Solder	Gold	58A/C, 141, 303, LMR 195,7806A	CTL-1	4.99	4.29	3.72
523-901-9871	901-9871	R	Crimp-Solder	Gold	141, 142, 223, 303, 400	CTL-1	6.79	5.45	4.92
523-901-9876-RFX	901-9876-RFX	R	Crimp-Solder	Nickel	58 A/C, 141, 303, LMR 195,7806A	CTL-1	2.93	2.43	2.12
523-901-9877-RFX	901-9877-RFX	R	Crimp-Solder	Nickel	174, 188A, 316, 7805	CTL-9	2.76	2.21	2.04
523-901-9916	901-9916	R	Crimp-Solder	Gold	174, 188A, 316, 7805	CTL-9	5.69	4.54	3.96
Right Angle Plugs									
523-901-9872	901-9872	S	Crimp-Solder	Gold	174, 188A, 316, 7805	CTL-9	8.28	7.07	6.18
523-901-9873	901-9873	S	Crimp-Solder	Gold	58A/C, 141, 303, LMR 195,7806A	CTL-9	10.11	9.38	8.85
523-901-9874	901-9874	S	Crimp-Solder	Gold	141, 142, 223, 303, 400	CTL-1	8.02	7.48	6.73
523-901-9880-RFX	901-9880-RFX	S	Crimp-Solder	Nickel	58A/C, 141, 303, LMR 195,7806A	CTL-1	4.82	4.41	3.77
523-901-9881-RFX	901-9881-RFX	S	Crimp-Solder	Nickel	174, 188A, 316, 7805	CTL-9	4.79	4.00	3.49
Jacks									
523-901-9875	901-9875	T	Crimp-Solder	Gold	174, 188A, 316, 7805	CTL-13	8.95	7.18	6.79
523-901-9879-RFX	901-9879-RFX	T	Crimp-Solder	Nickel	174, 188A, 316, 7805	CTL-13	6.89	6.05	5.72
523-901-9893-RFX	901-9893-RFX	U	Solder Cup	Nickel	2-Hole Panel Receptacle	---	4.90	4.03	3.53
523-901-9891-RFX	901-9891-RFX	V	Blunt Post	Nickel	2-Hole Panel Receptacle	---	7.88	6.57	6.13
523-901-9892-RFX	901-9892-RFX	W	Solder Cup	Nickel	4-Hole Square Panel Flange	---	6.04	4.80	4.54
523-901-9887-RFX	901-9887-RFX	W	Blunt Post	Nickel	4-Hole Square Panel Flange	---	7.43	5.94	5.84
523-901-9889-RFX	901-9889-RFX	I	Solder Cup	Nickel	Bulkhead, Front Mount	---	4.47	3.87	3.69
523-901-9890-RFX	901-9890-RFX	I	Solder Cup	Nickel	Bulkhead, Rear Mount	---	5.49	5.08	4.74
PCB Mount Plugs									
523-901-9895-RFX	901-9895-RFX	X	--	Gold	Vertical, .155" Legs	---	4.22	3.57	3.17
523-901-9894-RFX	901-9894-RFX	Y	--	Gold	Right Angle, .155" Legs	---	7.21	6.72	6.28
PCB Mount Jacks									
523-901-144-8RFX	901-144-8RFX	H	--	Gold	Vertical, .155" Legs	---	3.47	2.76	2.51
523-901-143-6RFX	901-143-6RFX	N	--	Gold	Right Angle, .155" Legs	---	4.48	4.13	3.84
523-901-10003	901-10003	Z	--	Gold	End Launch for .062" Thick PCB	---	18.31	15.52	12.19