

AMPHENOL SMA RF Connectors

ROHS Compliant This product is RoHS compliant.

SMA SERIES CONNECTORS AND ACCESSORIES

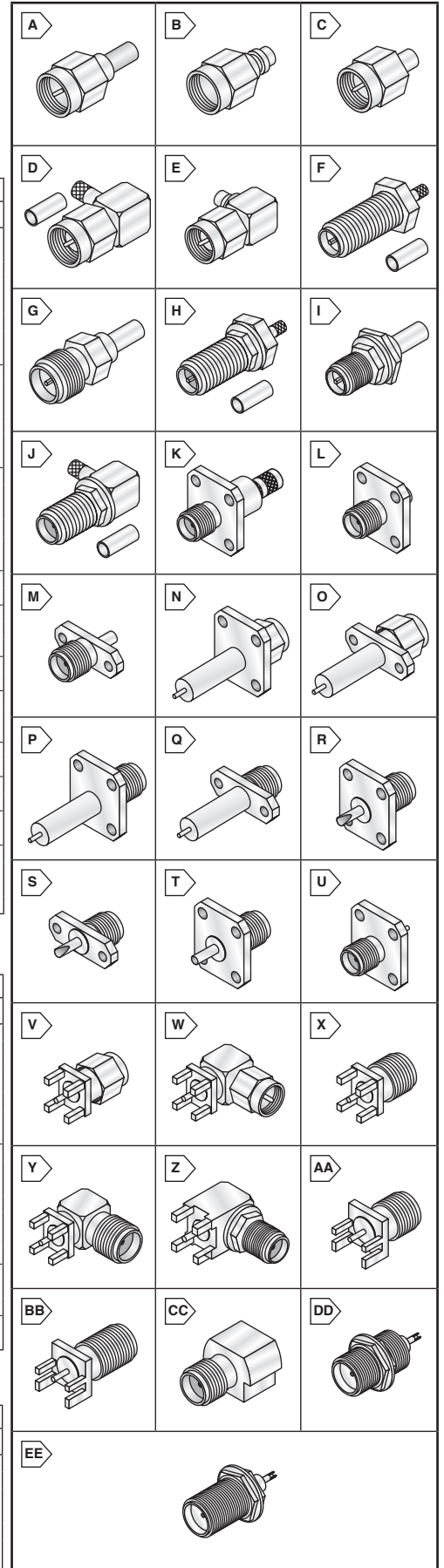
These SMA connectors offer a compact size and mechanically give outstanding durability.

- Impedance: 50Ω
- Body Material: Brass
- Insulation: Teflon
- Finish & Center Contact: Gold
- Frequency Range: 0-18GHz (semi-rigid); 0-12.4GHz (flexible cable)

SMA Coaxial Connectors

For quantities greater than listed, call for quote.

MOUSER STOCK NO.	Amphenol Part No.	Fig.	Description	Cable	Crimp Tool	Price Each			
						1	10	25	100
523-132114	132114	A	Straight Crimp Plug	LMR 100/RG316/U	47-10150	3.43	3.10	2.84	2.64
523-132113	132113	A	Straight Crimp Plug	LMR 195/RG58/U	47-10070	3.08	2.77	2.55	2.35
523-132234	132234	A	Straight Crimp Plug	LMR 200	47-10070	3.38	3.05	2.79	2.59
523-132231	132231	A	Straight Crimp Plug	LMR 240/8X	47-10070	5.14	4.60	4.23	3.84
523-132298	132298	A	Straight Crimp Plug	LMR 400/B9913	47-10210	7.90	7.23	6.72	5.32
523-132178	132178	A	Straight Crimp Plug	RG 316 U Dbl Braid	---	3.64	3.39	3.19	2.79
523-132193	132193	A	Straight Crimp Plug	RG 178/196	47-10150	4.62	4.31	3.95	3.68
523-132195	132195	A	Straight Crimp Plug	RG 223/142	47-10070	3.88	3.62	3.54	3.10
523-132100	132100	B	Straight Solder Plug (no contact)	.141 Semi-Rigid	---	1.58	1.48	1.37	1.26
523-132102	132102	C	Straight Solder Plug (with contact)	.141 Semi-Rigid	---	2.44	2.24	2.05	1.89
523-132101	132101	C	Straight Solder Plug	.085 Semi-Rigid	---	2.44	2.24	2.05	1.89
523-132188	132188	C	Straight Solder Plug w/Torque Nut	.085 Semi-Rigid	---	4.16	3.69	3.41	3.17
523-132249	132249	C	Straight Solder Plug	.047 Semi-Rigid	---	3.88	3.50	3.18	2.91
523-132296	132296	C	Straight Solder Plug	.250 Semi-Rigid	---	4.84	4.41	4.08	3.79
523-132123	132123	D	Right Angle Crimp Plug	LMR 100/RG316/U	47-10150	5.29	5.12	4.58	4.47
523-132122	132122	D	Right Angle Crimp Plug	LMR 195/RG58/U	47-10070	5.40	5.01	4.61	4.28
523-132235	132235	D	Right Angle Crimp Plug	LMR 200	47-10070	6.71	6.16	5.70	4.80
523-132239	132239	D	Right Angle Crimp Plug	LMR 240/8X	47-10070	9.12	8.30	7.38	6.85
523-132173	132173	D	Right Angle Crimp Plug	RG 178/196	47-10150	5.74	5.32	4.83	4.37
523-132194	132194	D	Right Angle Crimp Plug	RG 55/142/223/400	47-10070	7.28	6.64	6.05	5.64
523-132112	132112	E	Right Angle Solder Plug	.141 Semi-Rigid	---	4.87	4.61	4.30	4.01
523-132111	132111	E	Right Angle Solder Plug	.085 Semi-Rigid	---	5.09	4.73	4.23	3.91
523-132117	132117	F	Straight Crimp Jack	LMR 100/RG316/U	47-10150	3.75	3.47	3.11	2.87
523-132116	132116	F	Straight Crimp Jack	LMR 195/RG58/U	47-10070	4.21	3.94	3.63	3.39
523-132240	132240	F	Straight Crimp Jack	LMR 240	47-10070	4.40	3.98	3.78	3.50
523-132104	132104	G	Straight Solder Jack	.141 Semi-Rigid	---	3.54	3.23	2.94	2.62
523-132103	132103	G	Straight Solder Jack	.085 Semi-Rigid	---	3.16	2.82	2.59	2.39
523-132119	132119	H	Bulkhead Crimp Jack	LMR 100/RG316/U	47-10150	4.98	4.56	4.20	3.89
523-132118	132118	H	Bulkhead Crimp Jack	LMR 195/RG58/U	47-10070	5.12	4.60	4.22	3.90
523-132241	132241	H	Bulkhead Crimp Jack	LMR 240/B7808A	47-10070	6.59	5.99	5.33	4.95
523-132106	132106	I	Bulkhead Solder Jack	.141 Semi-Rigid	---	5.96	5.43	4.95	4.50
523-132105	132105	I	Bulkhead Solder Jack	.085 Semi-Rigid	---	5.53	5.15	4.76	4.64
523-132246	132246	J	Right Angle Bulkhead Crimp Jack	LMR 195/RG 58/U	47-10070	17.22	15.78	14.57	13.53
523-132245	132245	J	Right Angle Bulkhead Crimp Jack	LMR 100/RG 316/U	47-10150	6.60	6.01	5.34	5.17
523-132120	132120	K	Panel Mount Crimp Jack, 4-hole	LMR 195/RG58	47-10070	7.18	6.56	5.81	5.41
523-132121	132121	K	Panel Mount Crimp Jack, 4-hole	LMR 100/RG316	47-10150	7.63	7.00	6.24	5.79
523-132107	132107	L	Panel Mount Solder Jack, 4-hole	.085 Semi-Rigid	---	6.66	6.06	5.54	4.58
523-132108	132108	L	Panel Mount Solder Jack, 4-hole	.141 Semi-Rigid	---	6.18	5.62	5.00	4.65
523-132109	132109	M	Panel Mount Solder Jack, 2-hole	.085 Semi-Rigid	---	6.07	5.53	5.04	4.50
523-132110	132110	M	Panel Mount Solder Jack, 2-hole	.141 Semi-Rigid	---	6.68	6.40	5.85	5.56



SMA Panel Mount and PCB Connectors

For quantities greater than listed, call for quote.

MOUSER STOCK NO.	Amphenol Part No.	Fig.	Description	Price Each		
				1	10	25
523-132144	132144	N	Panel Mnt Plug, 4-hole, Extend Teflon	7.55	6.87	6.15
523-132145	132145	O	Panel Mnt Plug, 2-hole, Extend Teflon	7.04	6.45	5.93
523-132146	132146	P	Panel Mnt Jack, 4-hole, Extend Teflon	5.52	5.13	4.61
523-132147	132147	Q	Panel Mnt Jack, 2-hole, Extend Teflon	6.96	6.36	5.85
523-132142	132142	R	Panel Mount Jack, 4-hole	6.34	5.77	5.42
523-132143	132143	S	Panel Mount Jack, 2-hole	6.70	6.09	5.47
523-132150	132150	T	Panel Mount Jack, 4-hole, Sq Flange	6.20	5.64	5.02
523-132166	132166	U	Straight Crimp Jack, 4 hole, .500 Sq	9.27	8.44	7.51
523-132133	132133	V	Straight PCB Plug	6.56	5.98	5.55
523-132135	132135	W	Right Angle PCB Plug	8.70	7.92	6.90
523-132134	132134	X	Straight PCB Jack	3.15	2.92	2.61
523-132136	132136	Y	Right Angle PCB Jack	5.53	5.10	4.73
523-132225	132225	Y	Right Angle PCB Jack Die-Cast	5.60	5.02	4.59
523-132203	132203	Z	Right Angle Bulkhead PCB Jack	9.32	8.68	7.81
523-132255	132255	AA	Straight End Launch Jack	6.67	5.97	5.50
523-132289	132289	BB	Strght End Launch Bulkhead Jack	4.64	4.21	3.91
523-132372	132372	CC	Strght End Launch SMT Jack	9.58	8.71	7.98
523-132137	132137	DD	Bulkhead Jack, Front mount	5.05	4.54	4.17
523-132139	132139	EE	Bulkhead Jack, Rear mount	5.86	5.55	5.33

Accessories - Caps

For quantities greater than listed, call for quote.

MOUSER STOCK NO.	Amphenol Part No.	Fig.	Description	Price Each		
				1	10	25
523-202112	202112	-	Male Cap	1.58	1.42	1.31
523-202112-10	202112-10	-	Male Cap with Chain	1.67	1.57	1.42
523-132348	132348	-	Female Cap with chain	4.46	4.07	3.99
523-132331	132331	-	Male Shorting Cap	3.27	2.98	2.72
523-132360	132360	-	Male 50Ω Resistor Cap	2.14	1.96	1.81
523-132360RP	132360RP	-	Male 50Ω Res. Cap, Rev. Polarity	4.66	4.27	3.89
523-132361	132361	-	Female 50Ω Resistor Cap	4.25	3.88	3.58