

# AMPHENOL Reverse Polarity RF Connectors Amphenol®

RoHS Compliant. This product is RoHS compliant.

## REVERSE POLARITY SMA CONNECTORS

Reverse Polarity connectors employ female contacts in the plug connector and male contacts in the jack connector. SMA-RP will not mate with standard SMA Connectors.

- Impedance: 50Ω
- Body Material: Brass
- Frequency Range: 0-6GHz
- Finish: Gold

For quantities greater than listed, call for quote.

| MOUSER STOCK NO. | Amphenol Part No. | Fig. | Description                   | Cable                     | Crimp Tool | Price Each |       |       |       |
|------------------|-------------------|------|-------------------------------|---------------------------|------------|------------|-------|-------|-------|
|                  |                   |      |                               |                           |            | 1          | 10    | 25    | 100   |
| 523-132114RP     | 132114RP          | A    | Straight Crimp Plug           | LMR100 / RG316, 174       | 47-10070   | 5.30       | 5.09  | 4.86  | 4.44  |
| 523-132113RP     | 132113RP          | A    | Straight Crimp Plug           | LMR195 / RG58             | 47-10150   | 4.59       | 4.07  | 3.64  | 3.37  |
| 523-132195RP     | 132195RP          | A    | Straight Crimp Plug           | RG223, 142                | 47-10070   | 8.58       | 7.83  | 6.54  | 5.96  |
| 523-132231RP     | 132231RP          | A    | Straight Crimp Plug           | LMR 240 / RG8X            | 47-10070   | 12.72      | 11.76 | 10.58 | 9.85  |
| 523-132298RP     | 132298RP          | A    | Straight Crimp Plug           | LMR 400/Belden 9913, 9914 | 47-10210   | 14.12      | 12.91 | 10.52 | 10.07 |
| 523-132122RP     | 132122RP          | B    | Right Angle Crimp Plug        | LMR 195 / RG58            | 47-10070   | 5.53       | 5.08  | 4.70  | 4.37  |
| 523-132123RP     | 132123RP          | B    | Right Angle Crimp Plug        | LMR100 / RG316, 174       | 47-10150   | 6.01       | 5.47  | 5.01  | 4.62  |
| 523-132116RP     | 132116RP          | C    | Straight Crimp Jack           | LMR 195 / RG58            | 47-10070   | 3.95       | 3.67  | 3.40  | 3.15  |
| 523-132240RP     | 132240RP          | C    | Straight Crimp Jack           | 8X/LMR 240 / B7808A       | 47-10070   | 5.24       | 4.76  | 4.69  | 4.41  |
| 523-132117RP     | 132117RP          | C    | Straight Crimp Jack           | LMR100 / RG316, 174       | 47-10150   | 3.77       | 3.49  | 3.19  | 2.90  |
| 523-132240RP     | 132240RP          | C    | Straight Crimp Jack           | RG, 8X, LMR240/B7808A     | 47-10070   | 5.24       | 4.76  | 4.69  | 4.41  |
| 523-132118RP     | 132118RP          | D    | Bulkhead Crimp Jack           | LMR 195 / RG58            | 47-10070   | 4.97       | 4.56  | 4.21  | 3.92  |
| 523-132119RP     | 132119RP          | D    | Bulkhead Crimp Jack           | LMR100 / RG316, 174       | 47-10150   | 4.00       | 3.77  | 3.51  | 3.16  |
| 523-13220RP      | 132220RP          | D    | Bulkhead Crimp Jack           | RG178, 196                | 47-10150   | 6.24       | 5.68  | 5.06  | 4.69  |
| 523-132136RP     | 132136RP          | E    | Right Angle PCB Jack          | ---                       | ---        | 5.07       | 4.61  | 4.35  | 4.02  |
| 523-132203RP     | 132203RP          | F    | Right Angle Bulkhead PCB Jack | ---                       | ---        | 9.04       | 8.09  | 7.38  | 6.89  |
| 523-132255RP     | 132255RP          | G    | Edge Mount PCB Jack, .062     | ---                       | ---        | 5.82       | 5.24  | 4.83  | 4.44  |

## REVERSE POLARITY BNC CONNECTORS

Reverse Polarity connectors employ female contacts in the plug connector and male contacts in the jack connector. BNC-RP will not mate with standard BNC Connectors.

- Impedance: 50Ω
- Body Plating: Nickel
- Frequency range: 0-4GHz
- Contact Plating: Gold
- Body Material: Brass

For quantities greater than listed, call for quote.

| MOUSER STOCK NO. | Amphenol Part No. | Fig. | Description         | Cable                | Crimp Tool | Price Each |      |      |      |
|------------------|-------------------|------|---------------------|----------------------|------------|------------|------|------|------|
|                  |                   |      |                     |                      |            | 1          | 10   | 25   | 100  |
| 523-112132RP     | 112132RP          | H    | Straight Crimp Plug | LMR 100 / RG 316     | 47-10150   | 2.78       | 2.55 | 2.28 | 2.12 |
| 523-112116RP     | 112116RP          | H    | Straight Crimp Plug | LMR 195 / RG 58, 141 | 47-10070   | 5.45       | 5.22 | 4.87 | 4.30 |
| 523-112514RP     | 112514RP          | H    | Straight Crimp Plug | RG 223, 142, 400     | 47-10070   | 3.42       | 3.13 | 2.75 | 2.52 |
| 523-112533RP     | 112533RP          | H    | Straight Crimp Plug | LMR 240 / RG8X       | 47-10070   | 2.67       | 2.43 | 2.16 | 2.01 |
| 523-112563RP     | 112563RP          | H    | Straight Crimp Plug | LMR 400 / B9913      | 47-10210   | 6.30       | 5.72 | 5.10 | 4.73 |
| 523-112144RP     | 112144RP          | I    | Straight Crimp Jack | LMR 195 / RG 58, 141 | 47-10070   | 2.83       | 2.58 | 2.29 | 2.13 |
| 523-112234RP     | 112234RP          | J    | Bulkhead Crimp Jack | LMR 100 / RG 316     | 47-10150   | 4.21       | 4.12 | 3.89 | 3.89 |

## REVERSE POLARITY TNC CONNECTORS

Reverse Polarity connectors employ female contacts in the plug connector and male contacts in the jack connector. TNC-RP will not mate with standard TNC Connectors.

- Impedance: 50Ω
- Body Plating: Nickel
- Frequency range: 0-4GHz
- Contact Plating: Gold
- Body Material: Brass

For quantities greater than listed, call for quote.

| MOUSER STOCK NO. | Amphenol Part No. | Fig. | Description            | Cable                | Crimp Tool | Price Each |      |      |      |
|------------------|-------------------|------|------------------------|----------------------|------------|------------|------|------|------|
|                  |                   |      |                        |                      |            | 1          | 10   | 25   | 100  |
| 523-122116RP     | 122116RP          | K    | Straight Crimp Plug    | LMR 100 / RG 316     | 47-10150   | 2.78       | 2.55 | 2.28 | 2.12 |
| 523-122108RP     | 122108RP          | K    | Straight Crimp Plug    | LMR 195 / RG 58      | 47-10070   | 2.35       | 2.14 | 2.01 | 1.84 |
| 523-122372RP     | 122372RP          | K    | Straight Crimp Plug    | RG 223, 142, 400     | 47-10070   | 8.07       | 7.37 | 6.22 | 5.61 |
| 523-122394RP     | 122394RP          | K    | Straight Crimp Plug    | RG 8 / 213           | 47-10090   | 6.27       | 5.71 | 5.09 | 4.71 |
| 523-122408RP     | 122408RP          | K    | Straight Crimp Plug    | LMR 240 / RG8X       | 47-10070   | 3.54       | 3.18 | 2.93 | 2.70 |
| 523-122393RP     | 122393RP          | K    | Straight Crimp Plug    | LMR 400 / B9913      | 47-10210   | 6.62       | 6.02 | 5.36 | 4.72 |
| 523-122140RP     | 122140RP          | L    | Right Angle Crimp Plug | RG 58,58C            | ----       | 4.73       | 4.26 | 3.87 | 3.43 |
| 523-122138RP     | 122138RP          | M    | Straight Crimp Jack    | LMR 100 / RG 316     | 47-10150   | 2.14       | 1.95 | 1.73 | 1.61 |
| 523-122122RP     | 122122RP          | M    | Straight Crimp Jack    | LMR 195 / RG 58      | 47-10070   | 2.87       | 2.61 | 2.32 | 2.16 |
| 523-122409RP     | 122409RP          | M    | Straight Crimp Jack    | LMR 240 / RG8X       | 47-10070   | 2.70       | 2.37 | 2.18 | 1.97 |
| 523-122392RP     | 122392RP          | M    | Straight Crimp Jack    | LMR 400 / B9913      | 47-10210   | 4.69       | 4.28 | 3.81 | 3.52 |
| 523-122192RP     | 122192RP          | N    | Bulkhead Crimp Jack    | LMR 100 / RG 316     | 47-10150   | 5.39       | 4.87 | 4.44 | 3.96 |
| 523-122160RP     | 122160RP          | N    | Bulkhead Crimp Jack    | LMR 195 / RG 58, 141 | 47-10070   | 4.48       | 4.10 | 3.79 | 3.51 |
| 523-122370RP     | 122370RP          | N    | Bulkhead Crimp Jack    | RG 178/196           | 47-10150   | 5.86       | 5.21 | 5.09 | 5.09 |

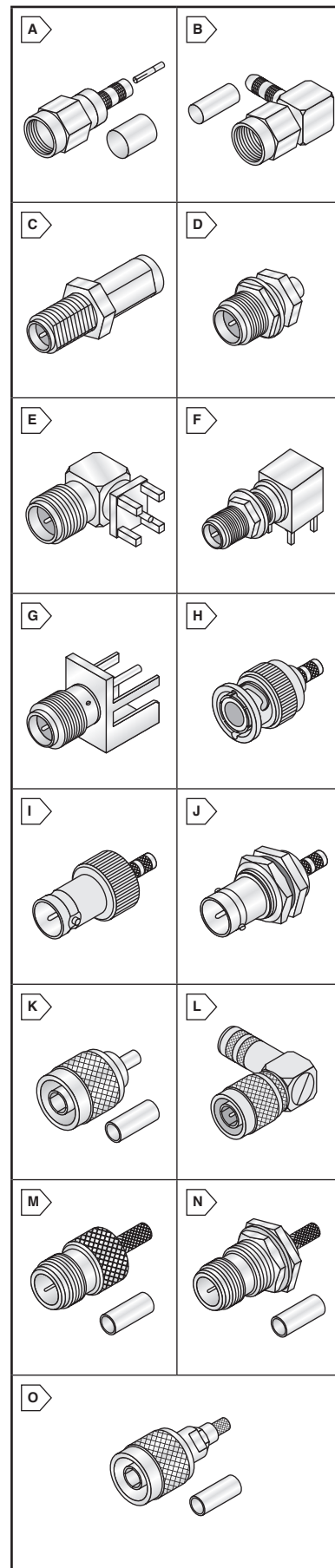
## REVERSE POLARITY N CONNECTORS

Reverse Polarity connectors employ female contacts in the plug connector and male contacts in the jack connector. N-RP will not mate with standard N Connectors.

- Impedance: 50Ω
- Body Plating: Nexcote
- Frequency range: 0-4GHz
- Contact Plating: Gold
- Body Material: Brass

For quantities greater than listed, call for quote.

| MOUSER STOCK NO. | Amphenol Part No. | Fig. | Description         | Cable           | Crimp Tool | Price Each |      |      |      |
|------------------|-------------------|------|---------------------|-----------------|------------|------------|------|------|------|
|                  |                   |      |                     |                 |            | 1          | 10   | 25   | 100  |
| 523-172100RP     | 172100RP          | O    | Straight Crimp Plug | LMR 195 / RG 58 | 47-10180   | 7.12       | 6.20 | 5.83 | 5.39 |
| 523-172135RP     | 172135RP          | O    | Straight Crimp Plug | LMR 240 / RG8X  | 47-10180   | 8.51       | 7.78 | 7.42 | 7.32 |
| 523-172102H243RP | 172102H243RP      | O    | Straight Crimp Plug | LMR 400 / B9913 | 47-10210   | 6.78       | 6.19 | 4.57 | 4.33 |



RF Connectors  
Amphenol