

# SWITCHCRAFT Audio (XLR) DIN Connectors

**Switchcraft**  
Harsh Environment Connectivity Solutions  
A HEICO Company

RoHS Compliant This product is RoHS compliant.

## "Q-G" QUICK GROUND XLR AUDIO CONNECTORS

- Specifications:**
- Current Rating: 3C = 15A, 4C = 10A, 5C = 7.5A
  - Cable Size: .21" to .30" O.D.
  - RoHS compliance per Switchcraft documentation
  - Pin and Socket Contact: Silver-plated copper alloy
  - Wire Size: 3 contact-12 AWG solid, 14 AWG stranded; 4 contact-14 AWG solid, 16 AWG stranded; 5 contact-18 AWG solid, 20 AWG stranded
  - Housing Material: Die-Cast zinc with satin nickel or black velvet finish

For quantities greater than listed, call for quote.

MOUSER STOCK NO.	Switchcraft Part No.	Fig.	No. of Contacts	Description	Price Each		
					1	10	25
<b>Cord End Plugs</b>							
502-A3F	A3F	A	3	Female plug	5.92	4.97	4.56
502-A3FBX	A3FBX	A	3	Female plug (black)	7.03	5.27	4.83
502-A3M	A3M	B	3	Male plug	4.82	4.12	3.85
502-A3MB	A3MB	B	3	Male plug (black)	5.90	4.45	4.09
502-A4F	A4F	A	4	Female plug	9.13	6.92	6.35
502-A4M	A4M	B	4	Male plug	6.79	5.09	4.67
502-A5F	A5F	A	5	Female plug	14.91	11.18	10.24
502-A5M	A5M	B	5	Male plug	11.77	8.92	8.17
502-A6F	A6F	A	6	Female plug	15.63	13.89	12.93
502-A6M	A6M	B	6	Male plug	17.28	13.25	11.62
502-R3FZ	R3FZ	C	3	F r.t. angle plug w/strain relief	8.97	7.51	6.36
502-R3MZ	R3MZ	D	3	M r.t. angle plug w/strain relief	9.15	7.22	6.11

## Panel Mount Receptacles

For quantities greater than listed, call for quote.

MOUSER STOCK NO.	Switchcraft Part No.	Fig.	No. of Contacts	Description	Price Each		
					1	10	25
<b>Cord End Plugs</b>							
502-B3F	B3F	E	3	Female receptacle	21.61	19.21	16.31
502-B3FBX	B3FBX	E	3	Female receptacle (black)	23.52	21.64	20.42
502-B3M	B3M	F	3	Male receptacle	11.43	10.27	9.36
502-B3MB	B3MB	F	3	Male receptacle (black)	11.92	9.02	8.46
502-B4M	B4M	F	4	Male receptacle	13.88	10.58	10.03
502-C3F	C3F	G	3	Female receptacle	9.10	8.35	7.10
502-C3M	C3M	H	3	Male receptacle	7.71	5.85	5.36
502-C4F	C4F	G	4	Female receptacle	17.73	15.95	13.62
502-C4M	C4M	H	4	Male receptacle	7.62	6.93	5.87
502-C5F	C5F	G	5	Female receptacle	25.59	20.87	19.08
502-D3F	D3F	I	3	Female receptacle	7.31	5.51	5.03
502-D3FBXAU	D3FBXAU	I	3	F recept., black w/gold contacts	12.16	11.04	10.61
502-D3M	D3M	J	3	Male receptacle, nickel	5.00	4.20	3.46
502-D3MB	D3MB	J	3	Male receptacle, black	7.61	6.02	4.31
502-D3MBAU	D3MBAU	J	3	M recept., black w/gold contacts	8.94	7.87	7.11
502-D4F	D4F	I	4	Female receptacle, nickel	10.45	7.91	7.25
502-D4M	D4M	J	4	Male receptacle, nickel	6.53	4.94	4.53
502-D5F	D5F	I	5	Female receptacle, nickel	17.74	13.31	12.89

## TINI "Q-G" QUICK GROUND XLR AUDIO CONNECTORS

- Specifications:**
- Current Rating: Plug or Panel 3-4C = 5A, 5C = 4A; PCB Receptacle 3-5C = 5A
  - Maximum Cable: .115" O.D. for flex relief versions; .170" O.D. for "L" version (omitted flex relief)
  - Wire Size: 22 AWG solid; 24 AWG stranded
  - Contacts: Pin and Socket-Silver-plated copper alloy; PCB Receptacle-Tin-plated brass
  - Housing Material: Plugs and Male Receptacle-Nickel-plated copper alloy, Female Receptacle-Nickel-plated die cast zinc; PCB Receptacle-Thermoplastic

For quantities greater than listed, call for quote.

MOUSER STOCK NO.	Switchcraft Part No.	Fig.	No. of Contacts	Description	Price Each		
					1	10	25
<b>Cord End Plugs</b>							
502-TA3FX	TA3FX	K	3	Female plug	8.56	7.31	6.76
502-TA3MX	TA3MX	L	3	Male plug	6.15	5.69	5.30
502-TA3FLX	TA3FLX	M	3	Female plug for larger cable	7.76	6.95	6.26
502-TA3MLX	TA3MLX	N	3	Male plug for larger cable	6.98	6.28	5.24
502-TA4FX	TA4FX	K	4	Female plug	8.26	7.51	6.89
502-TA4MX	TA4MX	L	4	Male plug	8.02	7.83	6.96
502-TA4FLX	TA4FLX	M	4	Female for larger cable	11.95	10.62	9.55
502-TA4MLX	TA4MLX	N	4	Male for larger cable	8.70	7.27	6.15
502-TA5FX	TA5FX	K	5	Female plug	10.95	8.96	8.41
502-TA5MX	TA5MX	L	5	Male plug	10.08	8.50	6.99
502-TA5FLX	TA5FLX	M	5	Female plug for larger cable	10.75	10.20	8.70
502-TA5MLX	TA5MLX	N	5	Male plug for larger cable	8.50	7.65	6.38
502-TA6FLX	TA6FLX	M	6	Female plug for larger cable	11.07	10.82	10.54

## Panel Mount Receptacles

For quantities greater than listed, call for quote.

MOUSER STOCK NO.	Switchcraft Part No.	Fig.	No. of Contacts	Description	Price Each		
					1	10	25
502-TB3M	TB3M	O	3	Male receptacle	8.72	7.82	6.90
502-TY3F	TY3F	P	3	Female receptacle	11.85	9.14	7.94
502-TB4M	TB4M	O	4	Male receptacle	9.89	7.43	6.81
502-TY4F	TY4F	P	4	Female receptacle	11.98	10.58	9.26
502-TB5M	TB5M	O	5	Male receptacle	10.50	9.20	8.20
502-TY5F	TY5F	P	5	Female receptacle	11.60	10.63	8.99

## PC Board Mount Receptacles

For quantities greater than listed, call for quote.

MOUSER STOCK NO.	Switchcraft Part No.	Fig.	No. of Contacts	Description	Price Each		
					1	10	25
502-TRAPC3MX	TRAPC3MX	Q	3	Male thru hole	9.11	8.28	7.87
502-TRAPC4MX	TRAPC4MX	Q	4	Male thru hole	11.75	8.96	8.43
502-TRASM5MX	TRASM5MX	Q	5	Male surface mount	14.15	10.60	10.05
502-TRAPC5MX	TRAPC5MX	Q	5	Male thru hole	10.03	9.12	7.68

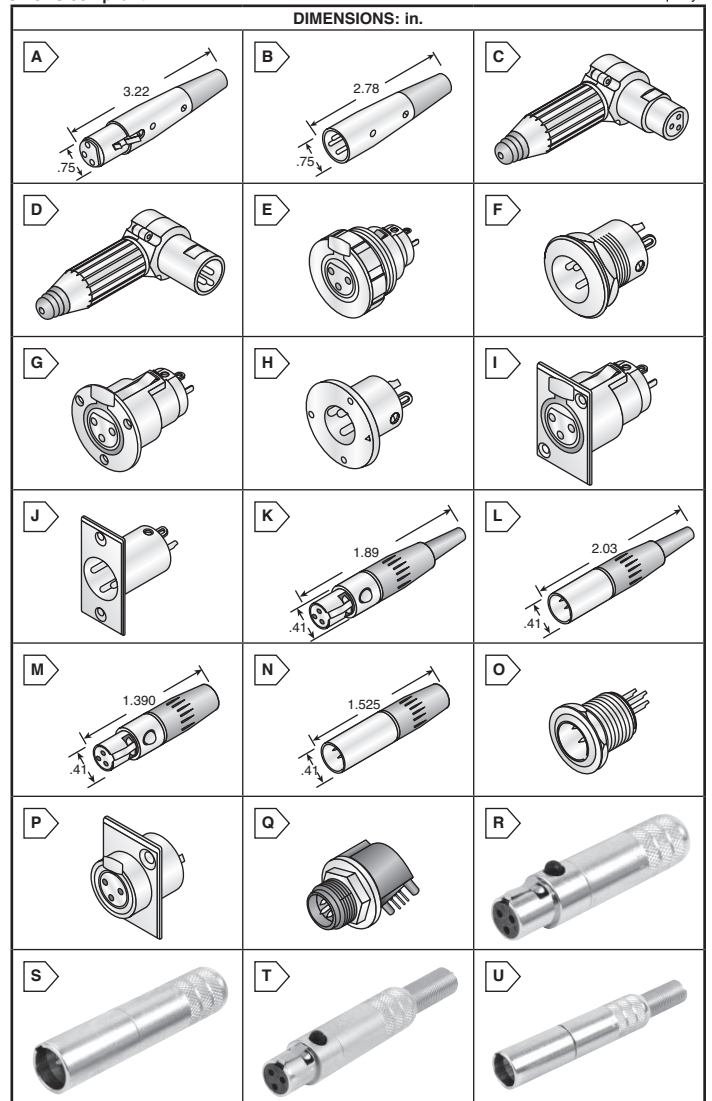
## A/V DIRECT BOX

The perfect direct box for a wide variety of applications. The 700 Series converts the outputs of equipment such as MP3 players, laptops and DJ mixers to balanced, mid level signals that can be connected to audio consoles, mic preamps and house sound systems. All stereo inputs on the 700 Series are summed to mono and output to a single 3-Pin XLR connector.



For quantities greater than listed, call for quote.

MOUSER STOCK NO.	Switchcraft Part No.	Fig.	Description	Price Each	
				1	10
502-SC700CT	SC700CT	-	A/V Direct Box - Custom Transformer	136.00	



## TINI "Q-G" SHIELDED MINI XLR AUDIO CONNECTORS

- Specifications:**
- Current Rating: 3-5C = 5A; 6-8C = 1.5A
  - Pin and Socket Contacts: Copper Alloy, silver plated
  - Housing: Copper Alloy, nickel-plated
  - Wire Size: 3-5C #22 AWG solid, #24 AWG stranded; 6-8C #28 AWG stranded

For quantities greater than listed, call for quote.

MOUSER STOCK NO.	Switchcraft Part No.	Fig.	No. of Contacts	Description	Price Each		
					1	10	25
502-TA3FSH	TA3FSH	R	3	Female plug	10.18	7.86	7.21
502-TA3MSH	TA3MSH	S	3	Male plug	8.96	6.72	6.16
502-TA4FSH	TA4FSH	R	4	Female plug	11.44	8.58	7.87
502-TA4MSH	TA4MSH	S	4	Male plug	9.60	7.20	6.60
502-TA5FSH	TA5FSH	R	5	Female plug	12.20	9.15	8.39
502-TA5MSH	TA5MSH	S	5	Male plug	10.72	8.04	7.37
502-TA6FSH	TA6FSH	R	6	Female plug	12.56	9.42	8.64
502-TA6MSH	TA6MSH	S	6	Male plug	11.12	8.34	7.65
502-TA7FSH	TA7FSH	R	7	Female plug	13.36	10.02	9.19
502-TA7MSH	TA7MSH	S	7	Male plug	11.88	8.91	8.17
502-TA8FSH	TA8FSH	R	8	Female plug	14.08	10.56	9.68
502-TA8MSH	TA8MSH	S	8	Male plug	12.56	9.42	8.64

## With Flex Relief

For quantities greater than listed, call for quote.

MOUSER STOCK NO.	Switchcraft Part No.	Fig.	No. of Contacts	Description	Price Each		
					1	10	25
502-TA3FSHF	TA3FSHF	T	3	Female plug	10.72	8.04	7.37
502-TA3MSHF	TA3MSHF	U	3	Male plug	9.20	6.90	6.33
502-TA4FSHF	TA4FSHF	T	4	Female plug	11.68	8.76	8.03
502-TA4MSHF	TA4MSHF	U	4	Male plug	9.84	7.38	6.77
502-TA5FSHF	TA5FSHF	T	5	Female plug	12.44	9.33	8.55
502-TA5MSHF	TA5MSHF	U	5	Male plug	10.96	8.22	7.54
502-TA6FSHF	TA6FSHF	T	6	Female plug	12.84	9.63	8.83
502-TA6MSHF	TA6MSHF	U	6	Male plug	11.36	8.52	7.81
502-TA7FSHF	TA7FSHF	T	7	Female plug	13.64	10.23	9.38
502-TA7MSHF	TA7MSHF	U	7	Male plug	12.16	9.12	8.36
502-TA8FSHF	TA8FSHF	T	8	Female plug	14.32	10.74	9.84
502-TA8MSHF	TA8MSHF	U	8	Male plug	12.84	9.63	8.83