

# SWITCHCRAFT Phone Jacks and Accessories

**Switchcraft**  
Harsh Environment Connectivity Solutions  
A HEICO Company

## LITTEL-JAX® 1/4" COMMERCIAL PHONE JACKS

RoHS Compliant This product is RoHS compliant.

Phone jacks mount in single .375" hole in panels up to .150" thick, except stock numbers 502-L-11 and 502-L-12 which mounts in panels up to .25" thick.

For quantities greater than listed, call for quote.

MOUSER STOCK NO.	Switchcraft Part No.	Fig. *	Circuit Dia.	Typical Mating Type	Description	Price Each		
						1	10	25
<b>2-Conductor Standard 1/4" I.D. Types</b>								
502-11	11	A	1	250	Open tip	1.98	1.61	1.52
502-C11X	C11X	A	1	440X	Open tip with locating pin	3.89	3.15	2.98
502-L-11	L11	A	1	250	Open tip with .375" bushing	2.54	2.05	1.88
502-FAL11	FAL11	A	1	250	Open tip, .375" bushing, .205 Faston	3.27	2.90	2.65
502-12A	12A	A	2	250	Closed tip	1.98	1.68	1.59
502-C12AX	C12AX	A	2	440X	Closed tip with locating pin	6.03	4.88	4.61
502-L-12A	L12A	A	2	250	Closed tip with .375" bushing	2.76	2.46	2.25
502-13	13	A	-	250	Isolated "Make" Circuit	7.50	6.06	5.73
502-13A	13A	A	3	250	Transfer circuit	6.37	5.19	4.84
502-13E	13E	A	4	250	Isolated "break" circuit	5.83	4.72	4.46
<b>3-Conductor Standard 1/4" I.D. Types</b>								
502-12B	12B	A	5	267	Open tip, open ring	2.10	1.70	1.60
502-C12BX	C12BX	A	5	480X	Open tip, open ring with locator pin mil 0.25/0.21	6.33	5.40	5.20
502-L-12B	L12B	A	5	267	Open tip, open ring with .375" bushing	3.20	2.91	2.64
502-13B	13B	A	6	267	Closed tip, open ring	6.60	5.34	5.04
502-14B	14B	A	7	267	Closed tip, closed ring	5.47	4.35	4.01
<b>2-Conductor .210" I.D. Type for Polarized Connections</b>								
502-S-11	S11	A	1	S-250	Open tip	3.46	2.91	2.22
<b>3-Conductor .210" I.D. Type for Polarized Connections</b>								
502-S-12B	S12B	A	5	S-260	Open tip, open ring	3.51	3.13	2.87

\*502-C11X is shown

## 1/4" EXTENSION JACKS (IN-LINE)

For quantities greater than listed, call for quote.

MOUSER STOCK NO.	Switchcraft Part No.	Fig.	Mating Plug	Description	Price Each		
					1	10	25
<b>2-Conductor</b>							
502-120	120	B	250	Shielded handle, screw terminal	9.01	7.52	6.90
502-121	121	C	250	Shielded handle, solder lugs, and cable clamp	10.70	8.78	8.05
502-88	88	D	250	Black handle, solder lugs	11.22	8.43	8.09
<b>3-Conductor</b>							
502-1230	1230	B	267	Shielded handle, screw terminals	11.84	10.48	9.59
502-131	131	C	267	Shielded handle, solder lug	16.25	12.87	11.28
502-S-830	S830	D	480X	Black handle, screw terminals, .21" I.D. Sleeve	16.48	13.46	12.32
502-838	838	D	267	Black handle, solder lugs	12.28	9.22	8.94

## JACK COVERS - SPRING LOADED

For quantities greater than listed, call for quote.

MOUSER STOCK NO.	Switchcraft Part No.	Fig.	Mating Plug	Description	1	10	25
502-515X	515X	-	N/A	Black, jack cover	10.58	8.34	7.64

## HI-D JAX, 1/4" ENCLOSED PHONE JACKS

Small, compact phone jacks mate with standard .25" (6.35mm) phone plugs. The molded body protects the integral silver plated contacts. They feature low contact resistance, low electrical leakage and low capacity between contacts. Mounts in single .375" hole in panels up to .156" thick.

For quantities greater than listed, call for quote.

MOUSER STOCK NO.	Switchcraft Part No.	Fig.	Circuit Dia.	Typ. Mating Type	Description	Price Each		
						1	10	25
<b>2-Conductor-Solder Type</b>								
502-111X	111X	E	1	250	Open tip	2.36	2.12	1.93
502-N111X	N111X	E	1	250	Open tip, nylon bushing	2.53	2.26	2.07
502-112AX	112AX	E	2	250	Closed tip	2.75	1.97	1.80
502-N112AX	N112AX	E	2	250	Closed tip, nylon bushing	3.77	3.32	2.52
502-113X	113X	E	8	250	Open tip, isolated "Make" Circuit	4.25	3.87	3.67
<b>3-Conductor-Solder Type</b>								
502-112BX	112BX	E	5	267	Open tip, open ring	2.34	2.02	1.85
502-N112BX	N112BX	E	5	267	Open tip, open ring, nylon bushing	2.72	2.49	2.28
502-N113BX	N113BX	E	6	267	Closed Tip, Open ring, Nylon Bushing	6.02	5.23	4.74
502-113BX	113BX	E	6	267	Closed tip, open ring	3.65	3.31	2.83
502-114BX	114BX	E	7	267	Closed tip, closed ring	3.50	3.06	2.81
502-L-114BX	L114BX	E	7	267	Closed tip, closed ring, .375" bushing	4.93	4.02	3.27
502-N114BX	N114BX	E	7	267	Closed tip, closed ring, nylon bushing	5.19	2.89	2.69
<b>2-Conductor-PC Terminals</b>								
502-111PCX	111PCX	E	1	250	Open tip	2.83	2.59	2.54
502-N111PCX	N111PCX	E	1	250	Open tip, nylon bushing	2.51	2.28	2.18
502-112APCX	112APCX	E	2	250	Closed tip	2.68	2.44	2.32
502-RN111PC	RN111PC	F	1	250	Open tip, right angle	2.39	1.79	1.64
502-RN-112APC	RN112APC	F	2	250	Closed tip, right angle	2.77	2.07	1.90
<b>3-Conductor-PC Terminals</b>								
502-112BPCX	112BPCX	E	5	267	Open tip, open ring	2.57	2.34	2.23
502-N112BPCX	N112BPCX	E	5	267	Open tip, open ring, nylon bushing	3.06	2.78	2.64
502-113BPCX	113BPCX	E	6	267	Closed tip, open ring	4.57	3.82	3.46
* 502-N114BPCX	N114BPCX	E	7	267	Closed tip, closed ring	4.54	4.12	3.91
* 502-RN112BPC	RN112BPC	F	5	267	Open tip, open ring	2.97	2.22	2.04
* 502-RN-113BPC	RN113BPC	F	6	267	Closed tip, open ring	2.83	2.59	2.49
* 502-RN114BPC	RN114BPC	F	7	267	Closed tip, closed ring	4.04	3.74	3.22

\* Right Angle

## 1/4" THICK PANEL PHONE JACKS

Extra shielded length eliminates microphone hum. • 1.25" panel size • .469" mounting hole

For quantities greater than listed, call for quote.

MOUSER STOCK NO.	Switchcraft Part No.	Fig.	Circuit Diagram	Mating Plug	Description	Price Each		
						1	10	25
502-151	151	G	1	280	2 Conductor, open circuit, nickel finish	8.63	6.67	6.12
502-152B	152B	G	5	297	3 Conductor, double open circuit, nickel finish	9.27	7.61	6.72

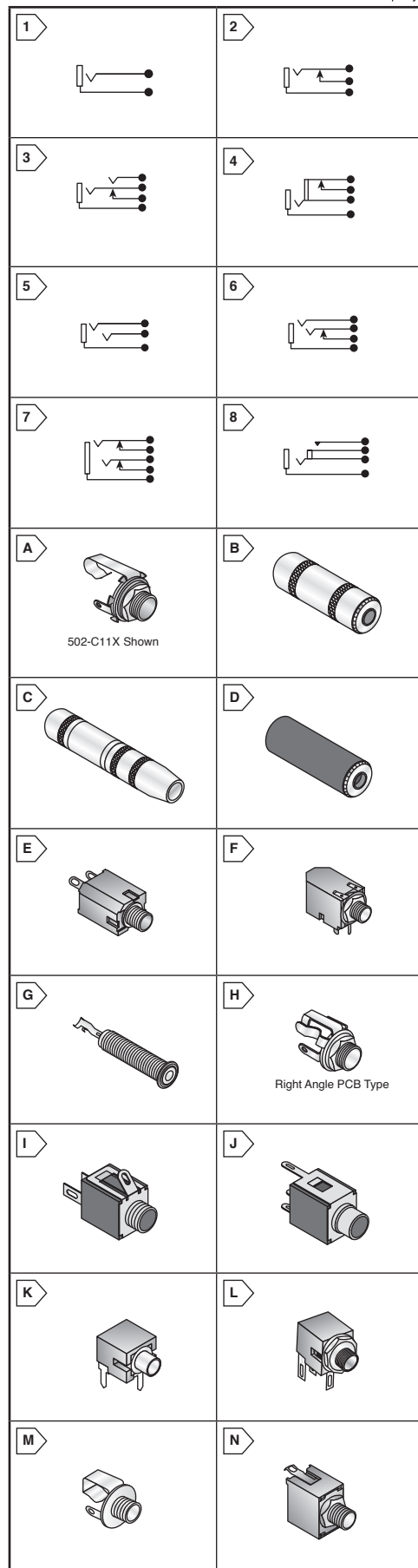
## MICRO-JAX® .101" SUBMINIATURE PHONE JACKS

MOUSER STOCK NO.	Switchcraft Part No.	Fig.	Cir. Dia.	Mating Plug	Contact	Price Each		
						1	10	25
502-TR-2A	TR2A	H	2	850X	Open	2.71	2.49	2.01
502-MDSL2A	MDSL2A	I	2	850X	Enclosed	2.59	2.23	2.05
502-MDPC2A	MDPC2A	J	2	850X	Enclosed	2.82	2.23	1.99
502-MDPC-2A-RA	MDPC2ARA	K	2	850X	Enclosed	3.33	2.42	2.22
502-MDSL-2A-RA	MDSL-2A-RA	L	2	850X	Enclosed	3.05	2.42	2.22

## TINI-JAX® .141" MINIATURE PHONE JACKS

For Insulated Mount, order two washers separately, number S1564 and S2207

MOUSER STOCK NO.	Switchcraft Part No.	Fig.	Mating Plug	Description	1	10	25	
502-41	41	M	1	750	Open	2.04	1.85	1.76
502-42A	42A	M	2	750	Open	2.32	1.93	1.78
502-142AX	142AX	N	2	750	Enclosed	4.76	3.82	3.47



Audio/Video Connectors Switchcraft