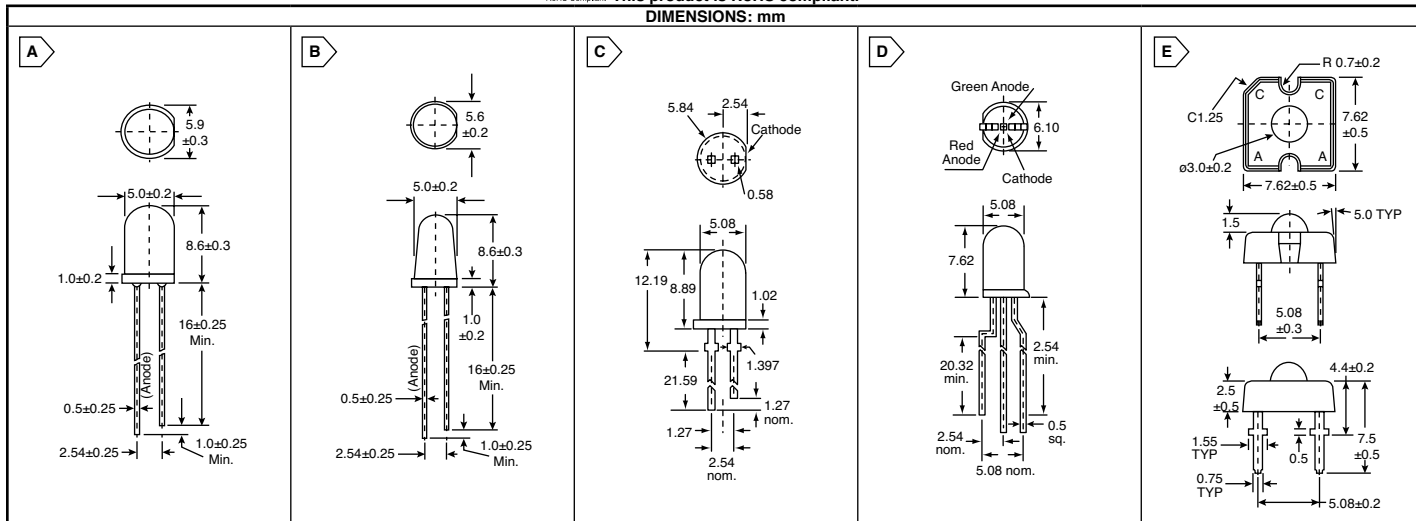


EVERLIGHT LED Lamps

EVERLIGHT

RoHS Compliant This product is RoHS compliant.

DIMENSIONS: mm



LED Indication

Everlight

THRU-HOLE LEDS (CONT.)

For quantities greater than listed, call for quote.

MOUSER STOCK NO.	Everlight Part No.	Fig.	Color		Wavelength	Iv(mcd)	Angle	Price Each			
			Emitted	Lens				1	100	500	1000
T-1 3/4 Low Current LED Lamps											
638-HLMP-D150A	HLMPD150A	A	Red	Red Diffused	660	3	65°	.22	.12	.094	.083
638-HLMP4700	HLMP4700	A	Hi-Eff Red	Red Diffused	635	2	35°	.22	.12	.094	.083
638-HLMP4719	HLMP4719	A	Yellow	Yellow Diffused	585	3	35°	.20	.11	.084	.075
638-HLMP4740	HLMP4740	A	Green	Green Diffused	565	3	35°	.18	.10	.076	.068
T-1 3/4 Maximum Contrast LED Lamps											
638-MV6951	MV6951	A	Red	Pale Pink Diffused	660	12	70°	.22	.12	.094	.083
638-MV6151	MV6151	A	Hi-Eff Red	Pale O Diffused	635	12	70°	.19	.11	.083	.074
638-MV6351	MV6351	A	Yellow	Pale Y Diffused	585	12	70°	.26	.15	.11	.10
638-MV6451	MV6451	A	Green	Pale G Diffused	565	12	70°	.22	.12	.094	.083
T-1 3/4 Standard LED Lamps											
638-333-2SDRDS5304	333-2SDRD/S530-A4	A	Red	Color Diffused	639	250	30°	.15	.08	.063	.049
638-333-2SDRTS5303	333-2SDRT/S530-A3	A	Red	Color Trans	639	630	10°	.11	.069	.059	.05
638-333-2SURDS5303	333-2SURD/S530-A3	A	Hyper Red	Color Diffused	624	200	30°	.13	.089	.075	.061
638-333-2UYDS5302	333-2UYD/S530-A2	A	Yellow	Color Diffused	589	200	30°	.15	.08	.063	.049
638-333-2UYTS5302	333-2UYT/S530-A2	A	Yellow	Color Trans	589	1600	10°	.15	.08	.063	.049
638-333-2SYGDS5302	333-2SYGD/S530-E2	A	Green	Color Diffused	573	80	30°	.11	.069	.059	.05
638-333-2SYGTS5302	333-2SYGT/S530-E2	A	Green	Color Trans	573	800	10°	.12	.088	.077	.064
T-1 3/4 Super Bright LED Lamps											
638-MV8190	MV8190	A	Red	Red Diffused	660	100	45°	.31	.18	.13	.118
638-MV8191	MV8191	A	Red	Red Diffused	660	200	45°	.35	.20	.15	.133
638-MV8140	MV8140	A	Red	Water Clear	660	220	40°	.40	.24	.18	.159
638-MV8141	MV8141	A	Red	Water Clear	660	370	40°	.35	.20	.15	.133
638-MV8102	MV8102	A	Red	Water Clear	660	370	20°	.28	.16	.12	.108
638-MV8111	MV8111	A	Red	Water Clear	660	370	12°	.25	.14	.11	.096
638-MV8112	MV8112	A	Red	Water Clear	660	930	12°	.28	.16	.12	.108
638-MV8104	MV8104	A	Red	Water Clear	660	1500	20°	.36	.32	.30	.28
638-MV8113	MV8113	A	Red	Water Clear	660	1500	12°	.28	.16	.12	.108
638-MV8114	MV8114	A	Red	Water Clear	660	2400	12°	.22	.13	.096	.086
638-333-2SURCS5306	EL-333-2SURC/S530-A6	A	Hyper Red	Water Clear	624	2750	10°	.50	.35	.26	.23
638-MV8741	MV8741	A	Orange	Water Clear	620	370	45°	.38	.24	.18	.16
638-MV8742	MV8742	A	Orange	Water Clear	620	600	45°	.41	.27	.20	.18
638-MV8703	MV8703	A	Orange	Water Clear	620	940	20°	.44	.31	.23	.20
638-MV8713	MV8713	A	Orange	Water Clear	620	940	12°	.44	.31	.23	.20
638-333-2USOCS5306	EL-333-2USOC/S530-A6	A	Sunset Orange	Water Clear	615	3590	10°	.50	.35	.26	.23
638-MV8313	MV8313	A	Yellow	Water Clear	590	940	12°	.44	.31	.23	.20
638-MV8304	MV8304	A	Yellow	Water Clear	590	1500	20°	.52	.37	.28	.25
638-MV8314	MV8314	A	Yellow	Water Clear	590	1500	12°	.44	.31	.23	.20
638-MV8305	MV8305	A	Yellow	Water Clear	590	2400	20°	.44	.31	.23	.20
638-MV8315	MV8315	A	Yellow	Water Clear	590	2400	12°	.44	.31	.23	.20
638-MV8316	MV8316	A	Yellow	Water Clear	590	3500	12°	.41	.27	.20	.18
638-333-2UYCS5306	EL-333-2UYC/S530-A6	A	Yellow	Water Clear	589	3240	10°	.52	.37	.28	.25
638-MV8410	MV8410	A	Green	Water Clear	565	240	12°	.35	.20	.15	.133
638-MV8411	MV8411	A	Green	Water Clear	565	370	12°	.35	.20	.15	.133
638-MV8412	MV8412	A	Green	Water Clear	565	620	12°	.31	.18	.13	.118
638-333-2SUGCS4003	EL-333-2SUGC/S400-A3	A	Green	Water Clear	525	5500	10°	1.57	1.08	.78	.69
638-333-2SUBC470S3	EL-333-2SUBC/C470/S400-A3	A	Blue	Water Clear	470	1300	10°	.62	.44	.33	.29
638-334-15T2C21TVB	EL-334-15/T2C2-1TVB	A	White	Water Clear	-	7150	20°	1.25	.86	.63	.55
638-383-2SDRCS5304	EL-383-2SDRC/S530-A4	B	Deep Red	Water Clear	639	1250	6°	.38	.22	.16	.144
638-383-2SUGCS400	EL-383-2SUGC/S400	B	Green	Water Clear	525	4000	6°	.82	.58	.44	.39
638-383-2SUBCC470S	EL-383-2SUBC/C470/S400-A4	B	Blue	Water Clear	470	1600	8°	1.43	.98	.71	.62
T-1 3/4 Standard LED Lamps With Stand-Off											
638-HLMP3750A	HLMP3750A	C	Hi-Eff Red	Orange Clear	635	150	24°	.22	.12	.094	.083
638-HLMP3850A	HLMP3850A	C	Yellow	Pale Yel Tint	585	150	24°	.22	.12	.094	.083
638-HLMP3950A	HLMP3950A	C	Hi-Eff Green	Pale Grn Tint	565	150	24°	.15	.08	.063	.049
T-1 3/4 Dual Color LED Lamps											
638-MV5337	MV5337	D	Red/Yellow	White Diffused	635/585	6	100°	.40	.24	.18	.159
638-MV5437	MV5437	D	Red/Green	White Diffused	635/565	6	100°	.35	.20	.15	.133
High Power Flux 4-Pin LED Lamps											
638-30-01USRC	EL-30-01USRC	E	Red	Water Clear	631	1310	70°	.76	.54	.40	.36
638-30-01SURC	EL-30-01SURC	E	Hyper Red	Water Clear	624	1310	70°	.71	.50	.38	.33
638-30-01UYC	EL-30-01UYC	E	Yellow	Water Clear	589	1310	70°	.64	.45	.34	.30
638-30-01SUBC	EL-30-01SUBC	E	Blue	Water Clear	470	400	60°	3.83	2.63	1.91	1.68