

KYCON 3.5mm Stereo Audio Jacks

KYCON

3.5MM STEREO AUDIO JACKS - MID-MOUNT

This product is RoHS compliant.

- Housing: High Temp, Plastic
- Terminals: Copper Alloy, Silver Plated
- Contact Resistance: Before Durability Test: 50 milliohms max. After Durability Test: 100 milliohms max.

- Rated Voltage: 16V DC
- Rated Current: 0.3A
- Insulation Resistance: 100 megohms min. at 500V DC
- Dielectric Strength: 500V AC RMS for 1 minute
- Operating Temperature: -25°C to +85°C



For quantities greater than listed, call for quote.

MOUSER STOCK NO.	Kycon Part No.	Fig.	Description	Circuit Diagram	Price Each		
					1	25	100
806-STX-35398A-5N-TR	STX-35398A-5N-TR	A	5P, Thru hole and SMT contacts with barrel	1	1.43	1.30	1.17
806-STX-35398E-5N-TR	STX-35398E-5N-TR	B	Thru hole contacts without barrel	1	1.68	1.52	1.36

3.5MM STEREO AUDIO JACKS – PCB MOUNT, LOW PROFILE THRU-HOLE

- Housing: PBT Thermoplastic 15% Glass Filled, UL94V-0 Rated
- Durability: 5000 Mating Cycles
- Operating Temperature: -25°C to +80°C
- RoHS Compliance per Kycon Documentation
- Color: Clear



For quantities greater than listed, call for quote.

MOUSER STOCK NO.	Kycon Part No.	Fig.	Description	Circuit Diagram	Price Each		
					1	25	100
806-STX-3081-3N	STX-3081-3N	C	3P, Non-Threaded	2	.75	.70	.526
806-STX-3081-3C	STX-3081-3C	C	3P, Threaded	2	1.15	1.06	.773
With Switch (DPST)							
806-STX-3081-5N	STX-3081-5N	C	5P, Non-Threaded	3	.78	.746	.556
806-STX-3081-5C	STX-3081-5C	C	5P, Threaded	3	1.25	1.12	.887

3.5MM STEREO AUDIO JACKS – STACKED THRU-HOLE

- Housing: Nylon 66 Thermoplastic 15% Glass Filled, UL94V-0 Rated
- Durability: 5000 Mating Cycles
- Operating Temperature: -25°C to +80°C
- Switch Terminals: Copper Alloy, Silver plated
- Contact Rating: 16VDC @ 0.3 Amps
- RoHS Compliance per Kycon Documentation
- Terminals: Copper Alloy, Tin over Nickel plating
- Switch Housing: PBT Thermoplastic
- Switch Slide Knob: POM
- Non-Threaded



For quantities greater than listed, call for quote.

MOUSER STOCK NO.	Kycon Part No.	Fig.	Description	Circuit Diagram	Price Each		
					1	25	100
806-STX-4235-3/3-N	STX-4235-3/3-N	D	3/3 Pin, Black/Black	5	2.94	2.67	1.96
806-STX-4235-3/9-N	STX-4235-3/9-N	D	3/9 Pin, Black/Black	-	3.85	3.43	2.51
*806-STX-43355BGPS1	STX-4335-5BGP-S1	E	5/5/5 Pin, Blue/Green/Pink	4	3.10	3.04	2.07

3.5MM STEREO AUDIO JACKS – PCB MOUNT, VERTICAL

- Housing: Thermoplastic, UL94V-0 Rated
- Terminals: Copper Alloy, Tin plating
- Complies with EIA standards
- Used in devices such as car audio and navigation equipment, etc.
- Meets the accelerated market needs for higher performance and smaller size portable devices
- RoHS Compliance per Kycon Documentation



For quantities greater than listed, call for quote.

MOUSER STOCK NO.	Kycon Part No.	Fig.	Description	Circuit Diagram	Price Each		
					1	25	100
806-STX-3680-5CB	STX-3680-5CB	F	5P, Threaded with Back Plate	6	1.41	1.29	1.19
806-STX-3680-5NB	STX-3680-5NB	G	5P, Non-Threaded with Back Plate	6	1.88	1.72	1.58
806-STX-3680-5NB577C	STX-3680-5NB-577C	G	5P, Non-Threaded with Back Plate, Green	6	1.68	1.53	1.42
806-STX-3680-5NB701C	STX-3680-5NB-701C	G	5P, Non-Threaded with Back Plate, Pink	6	1.68	1.53	1.42
806-STX-3680-6CB	STX-3680-6CB	F	6P, Threaded with Back Plate	7	1.52	1.39	1.28
806-STX-3790-5N	STX-3790-5N	H	5P, Non-Threaded	6	1.93	1.77	1.63
806-STX-3790-5N-701C	STX-3790-5N-701C	H	5P, Non-Threaded, Pink	6	1.92	1.76	1.62

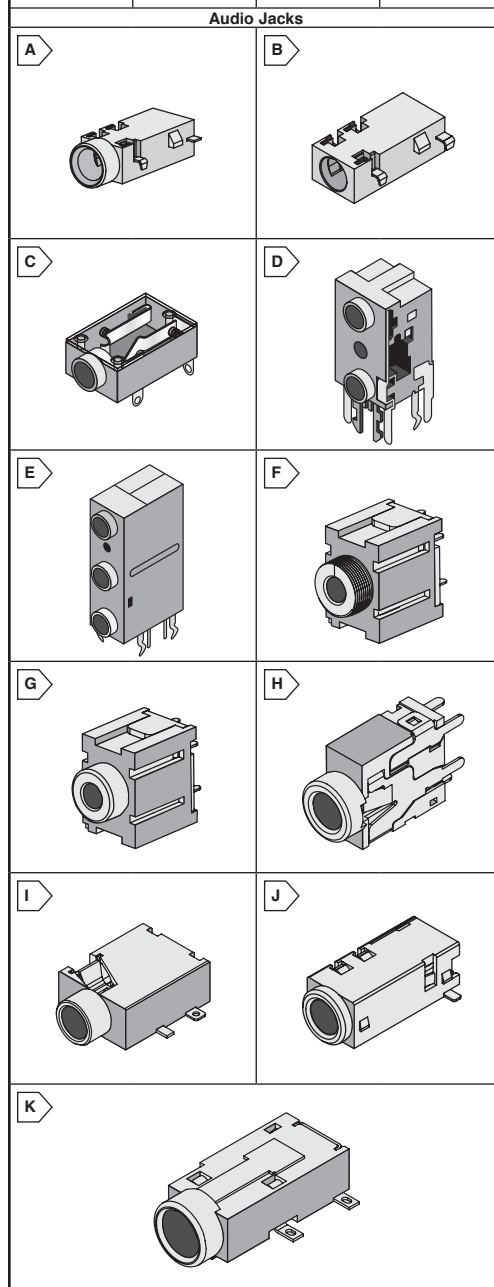
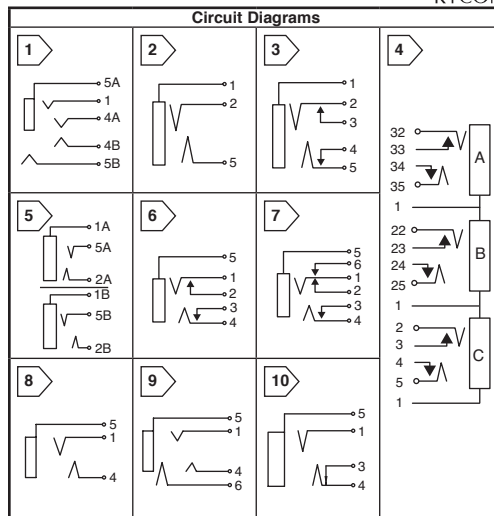
3.5MM STEREO AUDIO JACKS – SURFACE MOUNT

- Housing: High Temp, UL94V-0 Rated
- Complies with EIA standards
- Rated Voltage: 16V DC
- Rated Current: 0.3A
- Insulation Resistance: 100 Megohms min. at 500V DC
- Dielectric Strength: 500V AC RMS for 1 minute
- RoHS Compliance per Kycon Documentation



For quantities greater than listed, call for quote.

MOUSER STOCK NO.	Kycon Part No.	Fig.	Description	Circuit Diagram	Price Each		
					1	25	100
806-STX-35332-3N-TR	STX-35332-3N-TR	I	3P, Non-Threaded	8	1.58	1.46	1.34
806-STX-35331-4N-TR	STX-35331-4N-TR	J	4P, Non-Threaded	9	1.89	1.73	1.60
806-STX-35332-4N-TR	STX-35332-4N-TR	I	4P, Non-Threaded	10	1.36	1.24	1.15
806-STX-35382-4N-TR	STX-35382-4N-TR	K	4P, Non-Threaded	10	1.18	1.08	1.00
806-STX-35332-5N-TR	STX-35332-5N-TR	I	5P, Non-Threaded	6	1.36	1.23	1.14



Kycon AudioVideo Connectors