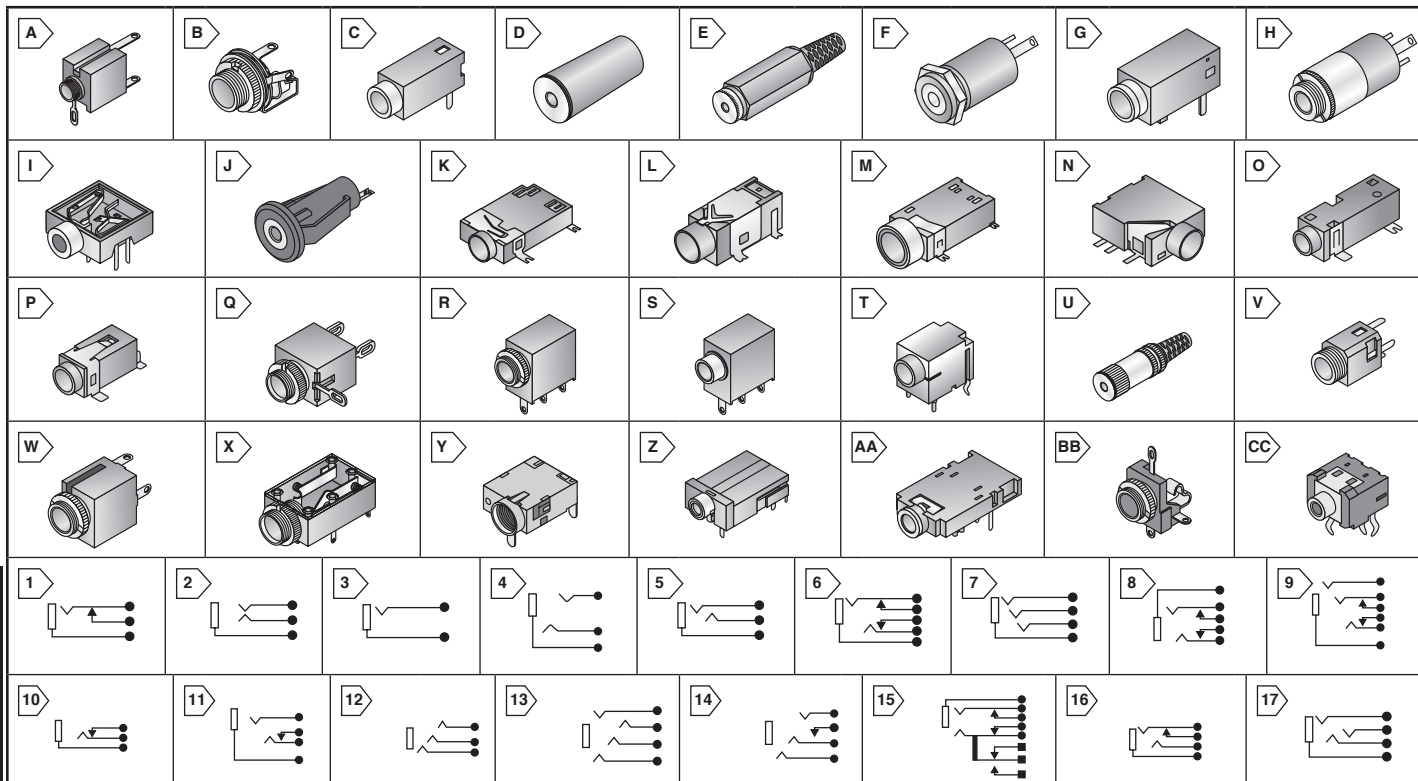


KOBICONN Phone Jacks



Kobiconn Audio/Video Connectors

2.5MM JACKS

For quantities greater than listed, call for quote.

MOUSER STOCK NO.	Fig.	Mtg. Hole (In.)	Ckt. Dia.	Description	Price Each		
					1	10	100
Mono							
161-0250-E	A	---	1	Gray plastic, N/C swc., chassis mnt	.85	.65	.59
161-3403-E	A	---	1	Black plastic, N/C swc., chassis mnt	.68	.457	.414
16PJ100	B	0.18	1	Knurled nut, washer, N/C swc., chassis mnt	1.46	1.12	1.02
161-2505-E	C	0.22	2	Enclosed, open circuit, PCB mount	.69	.46	.42
16PJ105-EX	D	---	3	Black plastic handle, in-line	1.08	.83	.75
16PJ227-EX	E	---	3	Black PVC molded handle w/strain relief, in-line	1.04	.80	.73
161-1650-EX	F	0.32	3	Plastic housing, panel mount	1.04	.80	.73
Stereo							
161-348A0-EX	G	---	4	3-conductor, PCB mount w/metal sleeve	1.45	1.11	1.01
161-7000-EX	H	---	4	Panel mount plastic/metal housing	1.73	1.33	1.21
161-7100-EX	F	---	5	Plastic housing, panel mount	1.14	.88	.80
161-2508-EX	I	---	6	PC mount with two N/C switches - no nut	1.47	1.13	1.03
161-2225-EX	E	---	5	In-line with strain relief	1.73	1.33	1.21
161-071SP-EX	J	0.35	5	3-conductor sub-mini stereo jack, black	1.73	1.33	1.21
4 Conductor							
161-6425-EX	F	---	7	Black plastic housing with strain relief	1.73	1.33	1.21
161-5425-EX	F	---	7	Gray plastic housing	1.73	1.33	1.21
161-6900-EX	H	---	7	Plastic/metal housing with hex nut	2.02	1.55	1.41
161-068SP-EX	J	0.35	7	Sub-miniature jack, grey, snap-in	1.73	1.33	1.21

2.5MM SMT JACKS

* RoHS Compliant per Kobiconn documentation

- ◆ Available on tape & reel as special order.
- ▲ Add /TR to end of P/N.



RoHS Compliant

For quantities greater than listed, call for quote.

Stereo							
◆ 161-2622-E	K	0.17	5	Black plastic open circuit	.97	.75	.68
◆ 161-2623-E	K	0.17	8	Black plastic closed circuit	1.14	.87	.79
◆ 161-2625-E	L	0.17	5	Black plastic open circuit	1.03	.80	.72
4 Conductor							
161-2828-E	M	0.22	9	4-conductor closed circuit, use with 172-MC254-EX, 171-M19442-EX only	1.73	1.33	1.21
◆ 161-2624-E	N	0.17	9	4-conductor closed circuit	1.92	1.47	1.34

3.5MM SMT JACKS

* RoHS Compliant per Kobiconn documentation

- ◆ Available on tape & reel as special order.
- ▲ Add /TR to end of P/N.



RoHS Compliant

For quantities greater than listed, call for quote.

Mono							
161-4035-E	O	0.22	10	Black plastic NC switch	1.04	.80	.73
161-3334-E	P	0.22	4	Black plastic open circuit	.96	.648	.595
Stereo							
161-4033-E	O	0.22	5	Black plastic open circuit	1.04	.80	.73
161-4034-E	O	0.22	11	Black plastic NC switch	1.08	.83	.75
161-3935-E	P	0.27	12	Black plastic open circuit	.87	.67	.61
4 Conductor							
161-3934-E	P	0.27	13	4-conductor open circuit	.88	.68	.62

3.5MM JACKS

* With threaded bushing

† With knurled nut

For quantities greater than listed, call for quote.

MOUSER STOCK NO.	Fig.	Mtg. Hole (In.)	Ckt. Dia.	Description	Price Each		
					1	10	100
Mono							
16PJ138	Q	0.27	1	Beige plastic, N/C switch w/o spring, chassis mnt	.50	.39	.35
161-3520-EX	R	0.27	1	Enclosed plastic housing, N/C switch, PCB mnt	1.56	1.20	1.09
†* 161-314M-E	B	0.27	1	Knurled nut, N/C switch, chassis mnt	1.24	.95	.87
161-352N-EX	S	0.28	1	Enclosed plastic housing, N/C switch, PCB mnt	1.56	1.20	1.09
161-3142M-E	B	0.27	1	Hex dress nut, N/C switch, chassis mnt	1.36	1.05	.952
16PJ119-EX	D	---	3	Black plastic handle, in-line	1.08	.83	.75
16PJ225-EX	E	---	3	Black PVC molded handle w/strain relief, in-line	1.13	.87	.79
161-3564-E	T	---	1	Black plastic housing, N/C switch, PCB mount	.94	.73	.66
161-3200-EX	U	---	3	Shielded handle with black strain relief, in-line	2.25	1.73	1.57
161-3412-EX	V	0.27	1	Black plastic, PCB mount, N/C switch	1.14	.88	.80
161-1640-EX	P	0.32	3	Plastic housing, panel mount	1.04	.80	.73
161-164SP-EX	J	0.35	3	2 Cond mini mono jack, black	1.04	.80	.73
Stereo							
† 161-3402-E	Q	0.27	4	Black plastic, open circuit, chassis mount	.55	.36	.33
† 161-0352-EX	V	0.27	5	Black plastic, solder term, open circuit, chassis mnt	1.36	1.05	.95
161-MJ35W-EX	W	---	5	Black Plastic, solder term, open circuit, chassis mnt	1.51	1.16	1.05
* 161-MJ352-EX	X	0.27	5	Black plastic, open circuit, with nut, PCB mount	1.83	1.41	1.28
16PJ106-EX	E	---	5	Black PVC molded handle w/strain relief, in-line	1.85	1.42	1.29
† 161-354W-EX	Y	0.32	6	2-SPST N/C switches, PCB mount	2.08	1.60	1.45
† 161-3540-EX	R	0.32	6	2-SPST N/C switches, PCB mount, isolated bushing	2.25	1.73	1.57
161-3300-EX	U	---	5	Shielded with black strain relief, in-line	2.42	1.86	1.69
16PJ108-EX	Z	0.27	14	Black plastic housing, closed circuit, PCB mount	1.90	1.46	1.33
161-3503-EX	AA	0.27	15	2-SPST N/C switches plus 1-SPDT swc., PCB mnt	1.44	1.20	1.09
†* 161-3507-E	X	0.27	4	Black plastic, open circuit, with nut, PCB mount	.80	.58	.52
†* 161-3508-E	X	0.27	6	2-SPST N/C switches, PCB mount	.80	.61	.56
†* 161-3509-E	X	0.27	16	1-SPST N/C switch, PCB mount	.82	.59	.54
161-7300-EX	P	0.32	4	Plastic housing, panel mount	1.14	.88	.80
161-7400-EX	H	0.24	4	Panel mount, plastic/metal housing	1.73	1.33	1.21
161-MJ082-EX	BB	---	5	3-conductor, mini stereo jack, open circuit	1.31	1.01	.92
161-MJ083-EX	BB	---	11	3-conductor, mini stereo jack, closed circuit	1.74	1.34	1.03
161-073SP-EX	J	0.35	5	3-conductor, mini stereo jack, Black	1.61	1.24	1.13
161-064SP-EX	J	0.35	17	4-conductor, mini jack grey	1.73	1.33	1.21
161-MJ2735-5-E	CC	---	6	Stereo, earphone jack, PC mount	1.44	1.11	1.01
161-MJ2735-3-E	CC	---	5	Stereo, earphone jack, PC mount	1.37	1.05	.81
4 Conductor							
161-6435-EX	E	---	17	Black plastic housing with strain relief	1.73	1.33	1.21
161-5435-EX	F	0.32	17	Gray plastic housing with strain relief	2.03	1.33	1.21
161-7900-EX	H	0.30	17	Plastic/metal housing with hex nut	1.72	1.55	1.41