

JOHNSON Tip Plugs and Jacks, Test Jacks Johnson®

RoHS Compliant This product is RoHS compliant.

TIP PLUGS

Insulated Solderless Type

For quantities greater than listed, call for quote.

MOUSER STOCK NO.	Johnson Components Part No.	Fig.	Amp	Max Wire	Color	Price Each					
						1	10	25	100	500	1000
530-105-0302-1	105-0302-001	A	10	16AWG	Red	.82	.72	.671	.566	.535	.472
530-105-0303-1	105-0303-001	A	10	16AWG	Black	.92	.80	.746	.629	.594	.524
530-105-0301-1	105-0301-001	A	10	16AWG	White	.92	.80	.746	.629	.594	.548
530-105-0304-1	105-0304-001	A	10	16AWG	Green	.92	.80	.746	.629	.594	.524
530-105-0310-1	105-0310-001	A	10	16AWG	Blue	.92	.80	.746	.629	.594	.524

Insulated Small Handle Type

For quantities greater than listed, call for quote.

530-105-0772-1	105-0772-001	B	10	16AWG	Red	.94	.83	.749	.673	.64	.575
530-105-0773-1	105-0773-001	B	10	16AWG	Black	1.03	.91	.818	.735	.70	.646

TIP JACKS

Insulated Metal Clad Standard Type

For quantities greater than listed, call for quote.

MOUSER STOCK NO.	Johnson Components Part No.	Fig.	Amp	Panel Thickness	Color	Price Each					
						1	10	25	100	500	1000
530-105-0251-1	105-0251-001	C	10	Up to .281"	White	1.52	1.46	1.35	1.25	1.16	1.10
530-105-0252-1	105-0252-001	C	10	Up to .281"	Red	1.55	1.31	1.16	1.04	.975	.856
530-105-0253-1	105-0253-001	C	10	Up to .281"	Black	1.55	1.31	1.16	1.04	.975	.856
530-105-0201-200	105-0201-200	C	10	Up to .281"	White	4.71	4.31	3.97	3.68	3.41	3.20
530-105-0202-200	105-0202-200	C	10	Up to .281"	Red	4.87	4.54	4.16	3.84	3.57	3.57
530-105-0203-200	105-0203-200	C	10	Up to .281"	Black	4.66	4.10	3.71	3.40	3.12	3.12
530-105-0204-200	105-0204-200	C	10	Up to .281"	Green	4.71	4.31	3.97	3.68	3.41	3.20

Insulated Standard

For quantities greater than listed, call for quote.

530-105-0802-1	105-0802-001	D	10	Up to .437"	Red	.72	.63	.557	.484	.442	.389
530-105-0803-1	105-0803-001	D	10	Up to .437"	Black	.72	.63	.557	.484	.442	.389
530-105-0801-1	105-0801-001	D	10	Up to .437"	White	.76	.67	.617	.527	.482	.46
530-105-0804-1	105-0804-001	D	10	Up to .437"	Green	.77	.67	.595	.516	.471	.415
530-105-0807-1	105-0807-001	D	10	Up to .437"	Yellow	.78	.685	.605	.525	.479	.422
530-105-0810-1	105-0810-001	D	10	Up to .437"	Blue	.74	.67	.606	.516	.471	.415

Insulated Standard Rib-Loc®

For quantities greater than listed, call for quote.

530-105-1042-1	105-1042-001	E	5	Up to .375"	Red	1.19	1.05	.956	.838	.752	.699
530-105-1043-1	105-1043-001	E	5	Up to .375"	Black	1.19	1.05	.956	.838	.752	.677
530-105-1041-1	105-1041-001	E	5	Up to .375"	White	1.19	1.05	.956	.838	.752	.677
530-105-1044-1	105-1044-001	E	5	Up to .375"	Green	1.19	1.05	.956	.924	.892	.871
530-105-1047-1	105-1047-001	E	5	Up to .375"	Yellow	1.19	1.05	.956	.838	.752	.709
530-105-1050-1	105-1050-001	E	5	Up to .375"	Blue	1.19	1.05	.956	.838	.801	.778

Insulated Deluxe

For quantities greater than listed, call for quote.

530-105-0602-1	105-0602-001	F	10	Up to .437"	Red	1.30	1.16	1.05	.923	.853	.75
530-105-0603-1	105-0603-001	F	10	Up to .437"	Black	1.30	1.16	1.05	.923	.853	.75
530-105-0601-1	105-0601-001	F	10	Up to .437"	White	1.30	1.16	1.05	.923	.853	.75
530-105-0604-1	105-0604-001	F	10	Up to .437"	Green	1.94	1.73	1.62	1.38	1.27	1.12
530-105-0607-1	105-0607-001	F	10	Up to .437"	Yellow	1.13	1.02	.969	.911	.853	.784
530-105-0610-1	105-0610-001	F	10	Up to .437"	Blue	1.30	1.16	1.05	.923	.853	.784

TEST JACKS

Horizontal Insulated Standard

For quantities greater than listed, call for quote.

MOUSER STOCK NO.	Johnson Components Part No.	Fig.	Amp	Pin Spacing	Color	Price Each					
						1	10	25	100	500	1000
530-105-0751-1	105-0751-001	G	5	.400"	White	.67	.57	.479	.415	.383	.351
530-105-0752-1	105-0752-001	G	5	.400"	Red	.67	.57	.479	.415	.383	.351
530-10507531	105-0753-001	G	5	.400"	Black	.67	.57	.479	.415	.383	.351
530-105-0754-1	105-0754-001	G	5	.400"	Green	.60	.53	.497	.479	.426	.39
530-105-0757-1	105-0757-001	G	5	.400"	Yellow	.85	.77	.71	.65	.61	.52
530-105-0756-1	105-0756-001	G	5	.400"	Orange	1.05	.905	.754	.653	.603	.553
530-105-0758-1	105-0758-001	G	5	.400"	Brown	.85	.77	.71	.65	.61	.57
530-105-0760-1	105-0760-001	G	5	.400"	Blue	.85	.77	.71	.65	.61	.589
530-105-0762-1	105-0762-001	G	5	.400"	Violet	1.05	.905	.754	.653	.603	.578
530-105-0763-1	105-0763-001	G	5	.400"	Gray	.61	.579	.563	.531	.519	.519

Horizontal Insulated Miniature

For quantities greater than listed, call for quote.

530-105-1101-1	105-1101-001	H	5	.200"	White	.58	.50	.42	.364	.336	.322
530-105-1102-1	105-1102-001	H	5	.200"	Red	.58	.50	.42	.364	.336	.322
530-105-1103-1	105-1103-001	H	5	.200"	Black	.58	.50	.42	.364	.336	.322
530-105-1104-1	105-1104-001	H	5	.200"	Green	.58	.50	.42	.364	.336	.322
530-105-1107-1	105-1107-001	H	5	.200"	Yellow	.58	.50	.42	.364	.336	.322
530-105-1110-1	105-1110-001	H	5	.200"	Blue	.58	.50	.42	.364	.336	.322

Vertical Insulated - Machined Contact

For quantities greater than listed, call for quote.

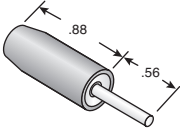
530-105-0851-1	105-0851-001	I	5	---	White	1.54	1.39	1.24	1.09	.964	.863
530-105-0852-1	105-0852-001	I	5	---	Red	1.30	1.18	1.09	1.00	.927	.80
530-105-0853-1	105-0853-001	I	5	---	Black	1.17	1.09	.997	.925	.867	.867

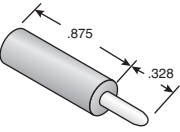
Vertical Insulated - Formed Contact

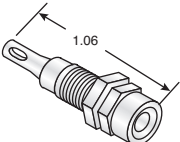
For quantities greater than listed, call for quote.

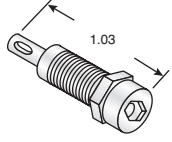
530-105-2201-1	105-2201-201	J	5	---	White	.61	.53	.516	.406	.384	.362
530-105-2202-1	105-2202-201	J	5	---	Red	.61	.53	.516	.406	.362	.34
530-105-2203-1	105-2203-201	J	5	---	Black	.56	.49	.47	.37	.33	.30

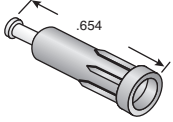
DIMENSIONS: in.

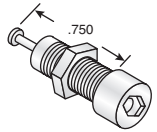
A 

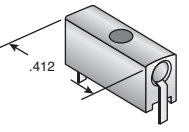
B 

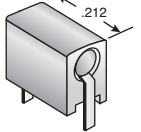
C 

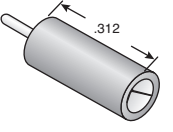
D 

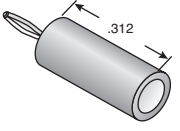
E 

F 

G 

H 

I 

J 

Audio/Video Connectors Johnson Components