

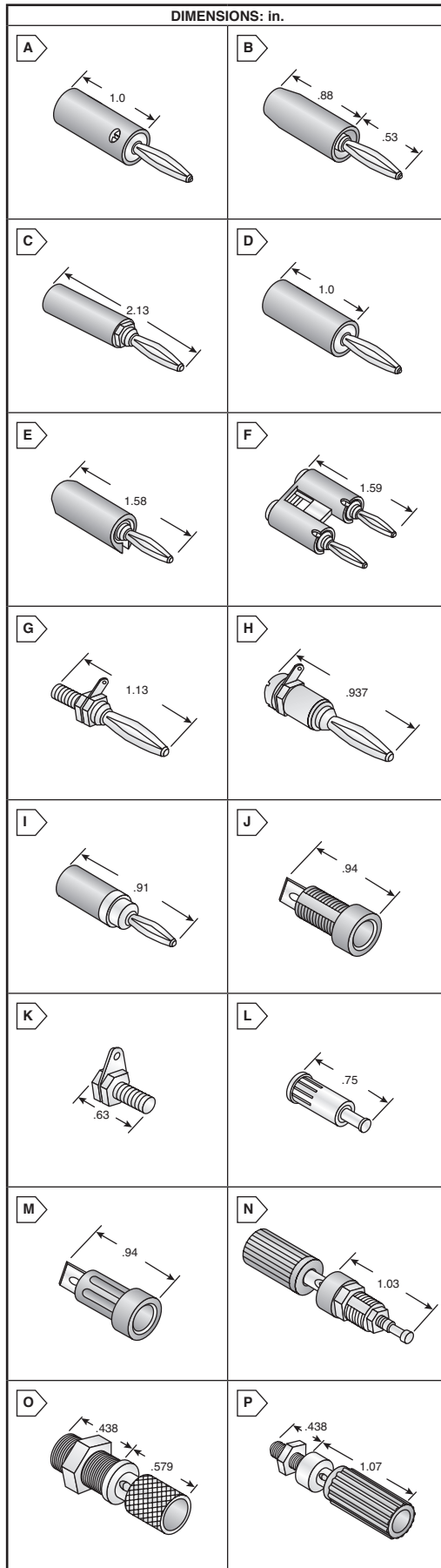
JOHNSON Banana Plugs and Jacks, Binding Posts Johnson®

RoHS Compliant This product is RoHS compliant.

BANANA PLUGS

For quantities greater than listed, call for quote.

MOUSER STOCK NO.	Johnson Components Part No.	Fig.	Color	Amps	Max. Wire	Price Each					
						1	10	25	100	500	1000
Insulated Side Set Screw Solderless											
530-108-1702-101	108-1702-101	A	Red	15	16AWG	2.18	1.85	1.71	1.60	1.55	1.47
530-108-1703-101	108-1703-101	A	Black	15	16AWG	2.18	1.85	1.71	1.60	1.55	1.47
Insulated Solderless Tapered Handle											
530-108-0302-1	108-0302-001	B	Red	15	16AWG	1.38	1.23	1.11	.977	.842	.803
530-108-0303-1	108-0303-001	B	Black	15	16AWG	1.38	1.23	1.11	.977	.842	.803
530-108-0301-1	108-0301-001	B	White	15	16AWG	1.38	1.23	1.11	.977	.842	.803
530-10803041	108-0304-001	B	Green	15	16AWG	1.38	1.23	1.11	.977	.842	.803
530-108-0306-1	108-0306-001	B	Orange	15	16AWG	1.38	1.23	1.11	.977	.842	.803
530-108-0307-1	108-0307-001	B	Yellow	15	16AWG	1.38	1.23	1.11	.977	.842	.803
530-108-0308-1	108-0308-001	B	Brown	15	16AWG	1.38	1.23	1.11	.977	.842	.803
530-108-0310-1	108-0310-001	B	Blue	15	16AWG	1.38	1.23	1.11	.977	.842	.803
530-108-0312-1	108-0312-001	B	Violet	15	16AWG	1.38	1.23	1.11	.977	.842	.803
530-108-0313-1	108-0313-001	B	Gray	15	16AWG	1.62	1.44	1.34	1.14	.98	.803
Insulated Hex Body Solder Long Handle											
530-108-0752-2	108-0752-002	C	Red	15	16AWG	2.22	2.02	1.85	1.71	1.59	1.44
530-108-0752-1	108-0752-001	C	Black	15	16AWG	2.05	1.65	1.58	1.38	1.25	1.12
Insulated Round Body Solder Stud											
530-108-1723-101	108-1723-101	D	Black	15	16AWG	3.59	3.27	3.00	2.53	2.37	2.21
530-108-1722-101	108-1722-101	D	Red	15	16AWG	3.99	3.59	3.27	2.53	2.37	2.21
530-108-1722-103	108-1722-103	D	Red	15	16AWG	1.90	1.68	1.63	1.37	1.29	1.15
Insulated Stacking Single											
530-108-1082-1	108-1082-001	E	Red	15	16AWG	2.19	1.92	1.73	1.52	1.33	1.23
530-108-1083-1	108-1083-001	E	Black	15	16AWG	2.19	1.92	1.73	1.52	1.33	1.23
530-108-1081-1	108-1081-001	E	White	15	16AWG	2.19	1.92	1.73	1.52	1.33	1.23
Dual-Insulated Stacking Set Screw											
530-108-0252-1	108-0252-001	F	Red	15	14AWG	8.38	7.13	6.28	5.95	5.48	5.17
530-108-0253-1	108-0253-001	F	Black	15	14AWG	8.38	7.13	6.28	5.95	5.48	5.17
Uninsulated Panel .375" Threaded Stud											
530-108-0750-1	108-0750-001	G	Nickel	15	14AWG	1.91	1.68	1.49	1.35	1.24	1.08
Uninsulated Panel Screw Type											
530-108-0753-1	108-0753-001	H	Silver	15	14AWG	1.13	1.06	.92	.84	.75	.66
Miniature-Insulated Solder Type											
530-108-1002-1	108-1002-001	I	Red	10	18AWG	1.71	1.53	1.34	1.21	1.09	1.01
530-108-1003-1	108-1003-001	I	Black	10	18AWG	1.71	1.53	1.34	1.21	1.09	1.01



BANANA JACKS

For quantities greater than listed, call for quote.

MOUSER STOCK NO.	Johnson Components Part No.	Fig.	Color	Amps	Max. Wire	Price Each					
						1	10	25	100	500	1000
Insulated Solder Terminal											
530-108-0902-1	108-0902-001	J	Red	15	16AWG	.55	.49	.451	.43	.357	.336
530-108-0903-1	108-0903-001	J	Black	15	16AWG	.55	.49	.451	.43	.357	.336
530-108-0901-1	108-0901-001	J	White	15	16AWG	.55	.49	.451	.43	.357	.336
530-1080904-1	108-0904-001	J	Green	15	16AWG	.57	.49	.432	.39	.349	.329
530-108-0906-1	108-0906-001	J	Orange	15	16AWG	.60	.55	.50	.45	.40	.393
530-108-0907-1	108-0907-001	J	Yellow	15	16AWG	.55	.45	.409	.367	.325	.304
530-108-0908-1	108-0908-001	J	Brown	15	16AWG	.64	.55	.483	.437	.391	.368
530-108-0910-1	108-0910-001	J	Blue	15	16AWG	.55	.45	.409	.367	.325	.304
530-108-0912-1	108-0912-001	J	Violet	15	16AWG	.59	.51	.449	.406	.363	.342
530-108-0913-1	108-0913-001	J	Grey	15	16AWG	.67	.54	.498	.447	.396	.37
Uninsulated Solder Terminal											
530-108-0740-1	108-0740-001	K	Nickel	15	12AWG	1.42	1.15	1.07	.958	.812	.75
Miniature-Insulated Rib-Loc® Turret Terminal											
530-108-1102-1	108-1102-001	L	Red	10	---	1.24	1.00	.896	.775	.706	.672
Insulated Rib-Loc® Solder Terminal											
530-108-2301-1	108-2301-801	M	White	15	16AWG	.88	.80	.725	.662	.612	.575
530-108-2302-1	108-2302-801	M	Red	15	16AWG	.50	.45	.421	.403	.384	.375

BINDING POSTS

For quantities greater than listed, call for quote.

MOUSER STOCK NO.	Johnson Components Part No.	Fig.	Color	Amps	Panel Thickness	Price Each					
						1	10	25	100	500	1000
Insulated Standard											
530-111-0102-1	111-0102-001	N	Red	15	up to .281	2.60	2.35	2.11	1.89	1.72	1.61
530-111-0103-1	111-0103-001	N	Black	15	up to .281	2.60	2.35	2.08	1.87	1.72	1.54
530-111-0101-1	111-0101-001	N	White	15	up to .281	3.05	2.76	2.44	2.20	2.02	1.80
530-111-0104-1	111-0104-001	N	Green	15	up to .281	3.54	3.12	2.92	2.75	2.63	2.30
530-111-0107-1	111-0107-001	N	Yellow	15	up to .281	3.89	3.54	3.22	3.00	2.77	2.45
530-111-0110-1	111-0110-001	N	Blue	15	up to .281	4.73	4.25	3.76	3.12	2.71	2.59
Uninsulated Grounded Type											
530-111-2223-001	111-2223-001	O	Nickel	15	up to .281	2.20	1.96	1.84	1.75	1.64	1.64
Insulated Grounded Type											
530-111-0702-001	111-0702-001	P	Red	15	up to .313	2.87	2.62	2.50	2.28	2.17	1.96
530-111-0703-001	111-0703-001	P	Black	15	up to .313	2.27	2.07	1.99	1.81	1.72	1.55