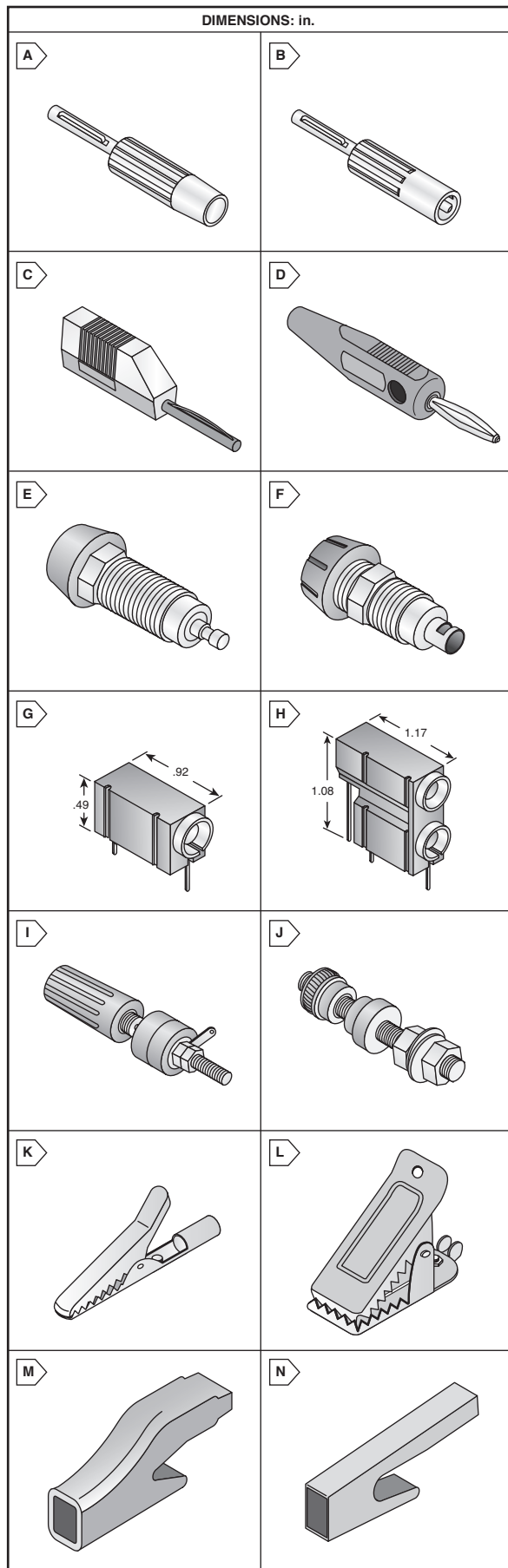


DELTRON Banana Plugs/Jacks and Binding Posts



Enclosures
Components



DELTRON BANANA PLUGS

These banana plugs fit all standard banana jacks and are interchangeable with all standard banana plugs. These plugs are available in a variety of styles and sizes to meet all kinds of industrial, OEM, and consumer applications.



RoHS Compliant

For quantities greater than listed, call for quote.

MOUSER STOCK NO.	Fig.	Description	Dimensions: in.		Price Each			
			H	Dia.	1	10	100	500
17HR549	A	Red, mates with 164-6217	1.72	.31	1.16	1.05	.96	.878
17HR550	A	Black, mates with 164-6216	1.72	.31	.99	.87	.79	.721
174-5791	B	Black, 7.1mm cable max	1.92	.39	2.03	1.69	1.54	1.40
174-5795	B	Red, 7.1mm cable max	1.92	.39	2.03	1.69	1.54	1.40
174-5801	B	Black, 7.1mm cable max, gold plated	1.92	.39	6.02	5.38	4.30	3.97
174-5805	B	Red, 7.1mm cable max, gold plated	1.92	.39	6.02	5.38	4.96	4.37
164-5310	C	Black, stackable	1.97	.45	1.82	1.64	1.47	1.22
164-5350	C	Red, stackable	1.97	.45	1.59	1.44	1.28	1.07
164-5501	D	Black, side stackable	2.36	.39	3.61	3.22	2.78	2.42
164-5505	D	Red, side stackable	2.36	.39	3.61	3.22	2.78	2.42

DELTRON BANANA JACKS



RoHS Compliant

For quantities greater than listed, call for quote.

MOUSER STOCK NO.	Fig.	Description	Dimensions: in.		Price Each			
			H	Dia.	1	10	100	500
164-6216	E	Banana jack, black	1.15	.46	1.32	1.16	1.06	.966
164-6217	E	Banana jack, red	1.15	.46	1.30	1.15	1.05	.95
164-6310	F	Banana jack, black, panel mount, solder bucket	1.12	.46	1.14	1.02	.934	.844
164-6350	F	Banana jack, red, panel mount, solder bucket	1.12	.46	1.14	1.02	.934	.844

DELTRON PCB INSULATED BANANA PLUG SOCKETS



RoHS Compliant

These new sockets mount directly onto printed circuit boards and accept standard banana plugs. They incorporate alignment grooves in the outer housing which allows close mounting. A double height socket permits two test or feed points to be mounted to a PCB. Both single and double sockets are constructed of durable acetal plastic and are rated at 10 amps. Available in red or black.

For quantities greater than listed, call for quote.

MOUSER STOCK NO.	Fig.	Description	Price Each			
			1	10	100	500
164-6218	G	Single printed circuit board socket, black	1.74	1.45	1.09	.906
164-6219	G	Single printed circuit board socket, red	2.06	1.72	1.57	1.42
164-7140	G	Single printed circuit board, green	2.13	1.78	1.62	1.47
† 164-6220	H	Double printed circuit board socket, black	3.22	2.59	2.42	2.21
† 164-6221	H	Double printed circuit board socket, red	3.33	2.66	2.49	2.28

† For use with single banana plugs only. Dual banana plugs will not fit.

DELTRON INSULATED BINDING POSTS

For quantities greater than listed, call for quote.

MOUSER STOCK NO.	Fig.	Description	Dimensions: in.		Price Each			
			H	Dia.	1	10	100	500
164-4201	I	Insulated binding post, black	1.84	.50	1.98	1.66	1.50	1.38
164-4205	I	Insulated binding post, red	1.84	.50	2.19	1.82	1.66	1.51
164-4202	I	Insulated binding post, blue	1.84	.50	2.06	1.72	1.56	1.42
164-4204	I	Insulated binding post, green	1.84	.50	2.06	1.72	1.56	1.42
164-4206	I	Insulated binding post, white	1.84	.50	2.06	1.72	1.56	1.42
164-4207	I	Insulated binding post, yellow	1.84	.50	2.06	1.72	1.56	1.42

DELTRON NON-INSULATED BINDING POST



RoHS Compliant

• Nickel Plated Finish • 30A Rating

For quantities greater than listed, call for quote.

MOUSER STOCK NO.	Fig.	Description	Dimensions: in.		Price Each			
			H	Dia.	1	10	100	500
164-4200	J	Non-insulated terminal binding post	1.50	.47	2.53	2.28	2.10	1.91

DELTRON CROCODILE CLIPS



RoHS Compliant

• Nickel Plated Finish

For quantities greater than listed, call for quote.

MOUSER STOCK NO.	Fig.	Description	Dimensions: in.		Price Each			
			H	Dia.	1	10	100	500
131-3000	K	Alligator clip, 5 amp, rear banana plug entry	2.01	.32	.68	.62	.56	.51
131-4000	L	Alligator clip, 25 amp	2.95	.63	1.58	1.44	1.31	1.19

DELTRON CROCODILE CLIP INSULATORS



RoHS Compliant

For quantities greater than listed, call for quote.

MOUSER STOCK NO.	Fig.	Description	Price Each			
			1	10	100	500
131-2010	M	Black insulator for 131-3000	.54	.51	.49	.47
131-2050	M	Red insulator for 131-3000	.54	.51	.49	.47
131-0010	N	Black insulator for 131-4000	.64	.59	.54	.49
131-0050	N	Red insulator for 131-4000	1.29	1.25	1.21	1.18