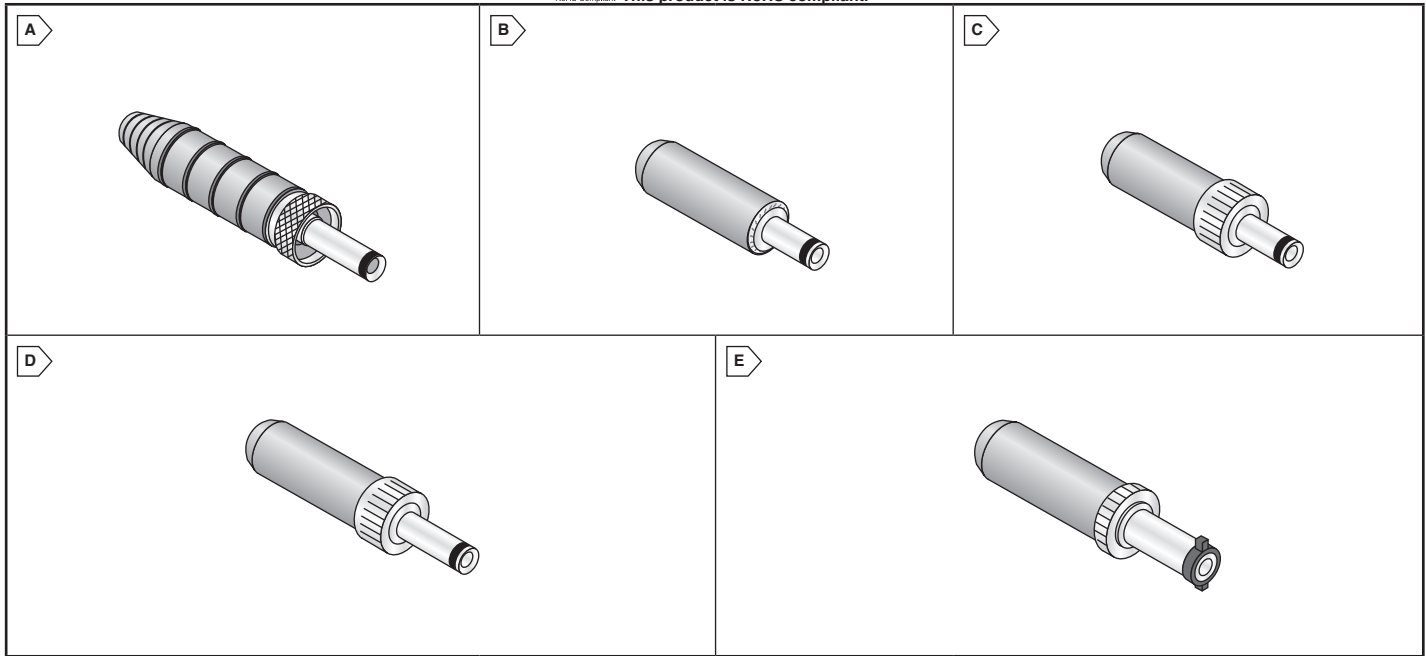


SWITCHCRAFT Power Plugs

Switchcraft[®]
Harsh Environment Connectivity Solutions
A HEICO Company

RoHS Compliant  This product is RoHS compliant.



MINIATURE SEALED POWER PLUGS

- IP rating of IP66,IP67,IP68/Nema 250 (6P) when mated
- Locking ring provides security in critical applications
- Sleeve terminal serves as cord clamp
- Handle/Boot with cable strain relief
- Plug sleeve and pin: Plated copper alloy
- Handle: Rigid thermoplastic overmolded with thermoplastic elastomer
- Lock ring: Plated copper alloy
- Lock ring thread size: 7/16-32 UN2B
- Handle thread size: 5/16-24 UNF 2A
- Rated current: 5 Amps
- Rated Voltage: Up to 30VDC



RoHS Compliant

For quantities greater than listed, call for quote.

MOUSER STOCK NO.	Switchcraft Part No.	Fig.	Pin Size (In./mm)	Mating Jack	Description	Price Each			
						1	5	10	50
502-761KS12	761KS12	A	.100"/2.5	L712AS, L712RAS, PCL712S	Black Tip, .125-.150" Cable O.D.	5.61	4.23	3.85	3.69
502-761KS15	761KS15	A	.100"/2.5	L712AS, L712RAS, PCL712S	Black Tip, .150-.175" Cable O.D.	5.61	4.23	3.85	3.69
502-761KS17	761KS17	A	.100"/2.5	L712AS, L712RAS, PCL712S	Black Tip, .175-.200" Cable O.D.	5.61	4.23	3.85	3.69
502-S761KS12	S761KS12	A	.08"/2.0	L722AS, L722RAS, PCL722S	White Tip, .125-.150" Cable O.D.	5.61	4.23	3.85	3.69
502-S761KS15	S761KS15	A	.08"/2.0	L722AS, L722RAS, PCL722S	White Tip, .150-.175" Cable O.D.	5.61	4.23	3.85	3.69
502-S761KS17	S761KS17	A	.08"/2.0	L722AS, L722RAS, PCL722S	White Tip, .175-.200" Cable O.D.	5.61	4.23	3.85	3.69
502-767KS12	767KS12	A	.084"/2.1	L722AS, L722RAS, PCL722S	Red Tip, .125-.150" Cable O.D.	6.17	4.65	4.24	4.06
502-767KS15	767KS15	A	.084"/2.1	L722AS, L722RAS, PCL722S	Red Tip, .150-.175" Cable O.D.	6.17	4.65	4.24	4.06
502-767KS17	767KS17	A	.084"/2.1	L722AS, L722RAS, PCL722S	Red Tip, .175-.200" Cable O.D.	6.17	4.65	4.24	4.06

MINIATURE POWER PLUGS

- Plug Sleeve and pin: Nickel-plated copper alloy
- Locking: Nickel-plated copper alloy
- Lockring Thread Size: 5/16 - 32 UNEF 2B
- Rated Current: 5 Amps
- Pin Length: 0.375"/ 9.5mm
- Molded Plastic Handle



RoHS Compliant

For quantities greater than listed, call for quote.

MOUSER STOCK NO.	Switchcraft Part No.	Fig.	Pin Size (In./mm)	Mating Jack	Description	Price Each			
						1	10	25	50
502-S-760	S760	B	.080"/2.0	722A, RAPC722X, PC722A	White Tip, Black Handle	1.94	1.88	1.85	1.75
502-762	762	B	.084"/2.1	Any 2.1 mm Jack and 722A, 722RA, PC722A	Red Tip, Black Handle	4.31	3.88	3.53	3.23
502-763	763	B	.084"/2.1	Any 2.1 mm Jack and 722A, 722RA, PC722A	Red Tip, Red Handle	5.00	4.31	3.78	3.37
502-760	760	B	.100"/2.5	712A, RAPC712X, RASH712X, RASM712X, PC712A	Black Tip, Black Handle	2.58	2.37	2.15	1.97
502-765	765	B	.100"/2.5	712A, RAPC712X, RASH712X, RASM712X, PC712A	Black tip, Red Handle	2.74	2.52	2.29	2.10

Locking Plugs

For quantities greater than listed, call for quote.

MOUSER STOCK NO.	Switchcraft Part No.	Fig.	Pin Size (In./mm)	Mating Jack	Description	Price Each			
						1	10	25	50
502-S760K	S760K	C	.080"/ 2.0	722A, PC722A, L722A	Black Tip, Black Handle	4.46	3.84	3.52	3.33
* 502-S761K	S761K	D	.080"/ 2.0	722A, PC722A, L722A	Black Tip, Black Handle	4.40	3.75	3.44	3.30
502-S760BK	S760BK	E	.080"/ 2.0	RAPC722BK, RASH722BK	White Locking Tip, Black Handle	3.44	2.58	2.37	2.15
502-762K	762K	C	.084"/2.1	Only 722A, 722RA, PC722A	Red Tip, Black Handle	6.24	5.62	5.11	4.68
502-763K	763K	C	.084"/2.1	Only 722A, 722RA, PC722A	Red Tip, Red Handle	6.24	5.62	5.11	4.68
* 502-767K	767K	D	.084"/2.1	Only L722A, L722RA, PCL722A	Red Tip, Black Handle	4.19	4.01	3.85	3.69
* 502-768K	768K	D	.084"/2.1	Only L722A, L722RA, PCL722A	Red Tip, Red Handle	6.24	5.62	5.11	4.68
502-760K	760K	C	.100"/ 2.5	712A, PC712A	Black Tip, Black Handle	4.18	3.64	3.34	3.15
502-760BK	760BK	E	.100"/ 2.5	RAPC712BK, RASH722BK	Black Locking Tip, Black Handle	3.54	3.24	3.00	2.78
* 502-761K	761K	D	.100"/ 2.5	L712A, L712PA, PCL712A	Black Tip, Black Handle	4.66	3.57	3.25	3.13

*Pin Length: 0.475"/12.1mm

© Copyright 2012 Mouser Electronics

© Copyright 2012 Mouser Electronics