

# KYCON DC Power Connectors

RoHS Compliant This product is RoHS compliant.

## STANDARD DC POWER JACKS AND PLUGS (2.0MM AND 2.5MM)

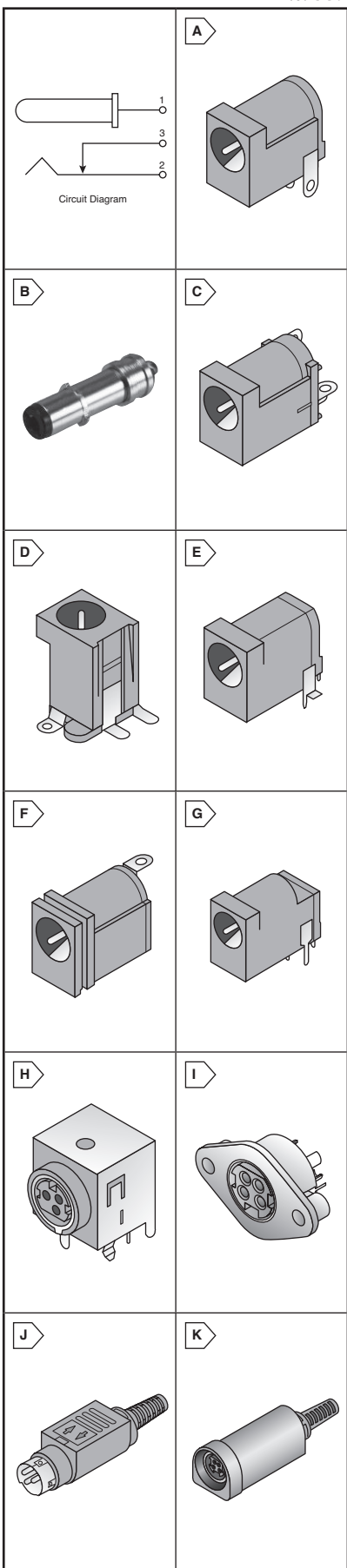
- Built in DC On/Off Switch
- Screw machine contact center pin
- Housing: PBT Thermoplastic, UL94V-0 Rated
- Color: Black
- RoHS Compliance per Kycon Documentation
- Durability: 5000 Cycles
- Operating Temperature: -25°C to +85°C
- Rated Current: 3.5 Amps, 3 Amps - Locking Jacks
- Rated Voltage: 24VDC, 16VDC - Vertical SMT and Locking Jacks



\* High Temperature Thermoplastic UL94V-0 Rated

For quantities greater than listed, call for quote.

MOUSER STOCK NO.	Kycon Part No.	Fig.	Inner Pin (mm)	Price Each			
				1	25	100	500
<b>Right Angle PCB Jacks</b>							
806-KLDX-0202-A	KLDX-0202-A	A	2.0	.65	.607	.443	.326
806-KLDX-0202-B	KLDX-0202-B	A	2.5	.66	.633	.463	.356
<b>Right Angle PCB Jacks - 1 and 2 Pins Crimped</b>							
806-KLDX-0202-AC	KLDX-0202-AC	A	2.0	.75	.726	.533	.401
806-KLDX-0202-BC	KLDX-0202-BC	A	2.5	.73	.695	.51	.401
<b>Right Angle High Temperature PCB Jacks</b>							
* 806-KLDX-0202-AHT	KLDX-0202-AHT	A	2.0	.92	.891	.828	.618
* 806-KLDX-0202-BHT	KLDX-0202-BHT	A	2.5	.92	.891	.733	.618
<b>Right Angle Locking Type PCB Jacks - without Center Peg</b>							
806-KLDX-0202-A-LT	KLDX-0202-A-LT	A	2.0	.84	.82	.75	.56
806-KLDX-0202-B-LT	KLDX-0202-B-LT	A	2.5	.88	.85	.79	.58
<b>Right Angle Locking Type PCB Jacks - with Center Peg</b>							
806-KLDX-0202-AP-LT	KLDX-0202-AP-LT	A	2.0	.84	.82	.75	.56
806-KLDX-0202-BP-LT	KLDX-0202-BP-LT	A	2.5	.88	.85	.79	.58
<b>Locking Plugs</b>							
806-KLDX-P-0202-A-LT	KLDX-P-0202-A-LT	B	2.1	.88	.85	.79	.58
806-KLDX-P-0202-B-LT	KLDX-P-0202-B-LT	B	2.5	.88	.85	.79	.58
<b>Vertical PCB Jacks</b>							
806-KLDVX-0202-A	KLDVX-0202-A	C	2.0	.77	.75	.63	.45
806-KLDVX-0202-B	KLDVX-0202-B	C	2.5	.96	.882	.646	.46
<b>Vertical High Temperature SMT Jacks</b>							
806-KLDVX-SMT02ATR	KLDVX-SMT-02-ATR	D	2.0	1.60	1.32	.977	.93
806-KLDVX-SMT02BTR	KLDVX-SMT-02-BTR	D	2.5	1.75	1.45	1.07	1.02
<b>Right Angle High Temperature Hybrid SMT Jacks - without Center Peg</b>							
* 806-KLDX-SMT-0202A	KLDX-SMT-0202-A	E	2.0	1.63	1.62	1.18	.948
* 806-KLDX-SMT-0202B	KLDX-SMT-0202-B	E	2.5	1.46	1.44	1.05	.847
<b>Right Angle High Temperature Hybrid SMT Jacks - with Center Peg</b>							
* 806-KLDX-SMT0202AP	KLDX-SMT-0202-AP	E	2.0	1.45	1.42	1.05	.829
* 806-KLDX-SMT0202BP	KLDX-SMT-0202-BP	E	2.5	1.40	1.38	1.01	.809
<b>Panel Mount Jacks - Solder Eyelets</b>							
806-KLDPX-0207-A	KLDPX-0207-A	F	2.0	.92	.872	.652	.52
806-KLDPX-0207-B	KLDPX-0207-B	F	2.5	.92	.904	.666	.518



DC Power Connectors

Kycon

## MINI DC POWER JACKS (1.0MM AND 1.3MM)

- Built in DC On/Off Switch
- Screw machine contact center pin
- Housing: PBT Thermoplastic, UL94V-0 Rated
- Color: Black
- Rated Current: 2.5 Amps
- Durability: 5000 Cycles
- Operating Temperature: -25°C to +85°C
- Rated Voltage: 24VDC
- RoHS Compliance per Kycon Documentation



\* High Temperature Thermoplastic UL94V-0 Rated

For quantities greater than listed, call for quote.

MOUSER STOCK NO.	Kycon Part No.	Fig.	Inner Pin (mm)	Price Each			
				1	25	100	500
<b>Right Angle PCB Jacks</b>							
806-KLDX-0201-A	KLDX-0201-A	G	1.0	.65	.56	.41	.38
806-KLDX-0201-B	KLDX-0201-B	G	1.3	1.02	.884	.691	.539
<b>Right Angle PCB Jacks - 1 and 2 Pins Crimped</b>							
806-KLDX-0201-AC	KLDX-0201-AC	G	1.0	.48	.43	.38	.36
806-KLDX-0201-BC	KLDX-0201-BC	G	1.3	.76	.623	.507	.403
<b>Right Angle High Temperature PCB Jacks</b>							
* 806-KLDX-0201-AHT	KLDX-0201-AHT	G	1.0	.67	.60	.54	.50
* 806-KLDX-0201-BHT	KLDX-0201-BHT	G	1.3	1.39	1.16	.80	.732

## SNAP AND LOCK DC POWER CONNECTORS

- RoHS Compliance per Kycon Documentation
- Snap lock features prevents accidental disconnections
- Color: Black
- 3 Position Contact Rating: Pin 1 & Pin 2: 20VDC at 7.5A max.; Pin 3: 20VDC at 1.0A max.
- 4 Position Contact Rating: 20VDC at 7.5A max. for all pins



\* Shielded

For quantities greater than listed, call for quote.

MOUSER STOCK NO.	Kycon Part No.	Fig.	No. of Contacts	Price Each			
				1	25	100	500
<b>Right Angle PCB Jacks- Open Frame</b>							
806-KPJX-3S	KPJX-3S	H	3	2.13	2.00	1.46	1.22
* 806-KPJX-3S-S	KPJX-3S-S	H	3	3.13	3.05	1.66	1.32
806-KPJX-4S	KPJX-4S	H	4	3.13	3.05	1.74	1.34
* 806-KPJX-4S-S	KPJX-4S-S	H	4	3.40	3.32	1.87	1.45
<b>Panel Mount</b>							
806-KPJX-PM-3S	KPJX-PM-3S	I	3	1.94	1.83	1.59	1.48
* 806-KPJX-PM-3S-S	KPJX-PM-3S-S	I	3	3.63	2.82	2.54	2.31
806-KPJX-PM-4S	KPJX-PM-4S	I	4	2.13	2.00	1.73	1.61
* 806-KPJX-PM-4S-S	KPJX-PM-4S-S	I	4	6.56	5.79	4.17	3.33
<b>Cable Mount Plugs</b>							
806-KPPX-3P	KPPX-3P	J	3	4.22	3.91	2.87	2.41
806-KPPX-4P	KPPX-4P	J	4	4.55	3.07	2.49	2.22
<b>Cable Mount Socket</b>							
806-KPJX-CM-3S	KPJX-CM-3S	K	3	4.52	4.02	3.62	3.29
806-KPJX-CM-4S	KPJX-CM-4S	K	4	4.75	4.18	3.75	3.40