

QUALTEK EMI Power Line Filters

MULTI-PURPOSE FILTERS

A compact filter providing noise suppression in industrial environments.



For quantities greater than listed, call for quote.

MOUSER STOCK NO.	Qualtek Part No.	Fig.	Circuit Diagram	Amp Rating	Dimensions: in.			Price Each		
					L	W	H	1	10	25
562-848-03/1	848-03/001	A	1	3	3.25	1.90	1.15	9.00	8.55	8.12
562-848-06/2	848-06/002	A	1	6	3.75	2.06	1.54	12.50	11.88	11.28
562-848-10/3	848-10/003	A	1	10	3.75	2.06	1.54	15.09	14.34	13.62
562-848-20/4	848-20/004	A	2	20	5.25	3.40	1.54	22.00	20.90	19.85
562-849-03/1	849-03/001	A	3	3	3.25	1.90	1.15	9.50	9.03	8.57
562-849-10/3	849-10/003	A	3	10	3.75	2.06	1.54	13.45	12.20	11.20
562-849-20/4	849-20/004	A	4	20	5.25	3.40	1.54	22.83	21.68	20.60
562-850-03/1	850-03/001	A	5	3	3.25	1.90	1.15	10.25	9.74	9.25
562-850-10/3	850-10/003	A	5	10	3.75	2.06	1.54	13.91	12.67	11.64
562-850-20/4	850-20/004	A	6	20	5.25	3.40	1.54	24.85	22.60	20.70

GENERAL PURPOSE COMMON MODE FILTERS

Designed to economically suppress line-to-ground interference and built to meet or exceed most international safety agency standards and requirements.

Specifications:

- Maximum leakage current each line-to-ground @ 115VAC 60Hz: .25mA; @ 250VAC 50Hz: .45mA
- Rated voltage: 115/250VAC
- Hipot rating (one minute) line-to-ground: 2250VDC; line-to-line: 1450VDC
- Operating frequency: 50-60Hz



Use Circuit Diagram 7

For quantities greater than listed, call for quote.

MOUSER STOCK NO.	Qualtek Part No.	Fig.	Inductance	Rated Current @ 250VAC	Dimensions: in.			Price Each		
					H	L	W	1	25	50
562-851-03/3	851-03/003	B	2.8mH	3A	.77	2.50	2.54	6.75	6.41	6.09
562-851-03/4	851-03/004	C	2.8mH	3A	.77	2.50	1.33	7.20	6.84	6.50
562-851-05/5	851-05/005	B	2.9mH	5A	.77	2.50	2.54	6.74	6.40	6.08
562-851-05/6	851-05/006	C	2.9mH	5A	.77	2.50	1.33	6.75	6.41	6.09
562-851-10/7	851-10/007	B	1.5mH	10A	1.18	2.50	2.54	9.01	8.56	8.12
562-851-10/9	851-10/009	D	1.5mH	10A	1.18	2.77	3.10	11.00	10.45	9.93
562-851-20/11	851-20/011	D	0.7mH	20A	1.15	2.77	3.37	14.30	13.58	12.91

GENERAL PURPOSE IEC CONNECTOR FILTERS

Provide effective EMI suppression on line-to-ground (common mode) and low frequency line-to-line (differential mode) noise while saving space and reducing cost.

Specifications:

- Maximum leakage current each line-to-ground @ 115VAC 60Hz: .2mA; @ 250VAC 50Hz: .4mA
- Rated voltage: 115/250VAC
- Hipot rating (one minute) line-to-ground: 2250VDC; line-to-line: 1450VDC
- Operating frequency: 50-60Hz



Use Circuit Diagram 7

For quantities greater than listed, call for quote.

MOUSER STOCK NO.	Qualtek Part No.	Fig.	Inductance	Rated Current @ 250VAC	Dimensions: in.			Price Each		
					H	L	W	1	25	50
562-857-01/46	857-01/046	E	5mH	1A	.88	1.50	1.58	5.40	5.06	4.90
562-857-03/47	857-03/047	E	2.3mH	3A	.88	1.67	1.58	6.12	5.81	5.51
562-857-06/48	857-06/048	E	.6mH	6A	.88	1.67	1.68	5.40	5.06	4.90
562-857-10/49	857-10/049	E	.18mH	10A	.88	1.55	1.99	6.83	6.41	6.20

HIGH PERFORMANCE IEC CONNECTOR FILTERS

Provide effective EMI suppression of line-to-ground and low frequency line-to-line noise.

Specifications:

- Maximum leakage current each line-to-ground @ 115VAC 60Hz: .25mA; @ 250VAC 50Hz: .45mA
- Rated voltage: 115/250VAC
- Hipot rating (one minute) line-to-ground: 2250VDC; line-to-line: 1450VDC
- Operating frequency: 50-60Hz



Use Circuit Diagram 7

For quantities greater than listed, call for quote.

MOUSER STOCK NO.	Qualtek Part No.	Fig.	Inductance	Rated Current @ 250VAC	Dimensions: in.			Price Each		
					H	L	W	1	25	50
562-858-01/3	858-01/003	F	6.5mH	1A	.88	2.12	1.58	4.80	4.50	4.35
562-858-03/7	858-03/007	F	2.5mH	3A	.88	2.12	1.58	5.28	5.01	4.76
562-858-06/11	858-06/011	F	.8mH	6A	.88	2.12	1.58	4.80	4.50	4.35
562-858-10/15	858-10/015	F	.2mH	10A	.88	2.12	1.58	5.66	5.37	5.10

GENERAL PURPOSE FUSED IEC CONNECTOR FILTERS

Designed for one 5mm x 20mm fuse and a spare fuse with a safety interlock that prevents fuse removal with power cord inserted.

Specifications:

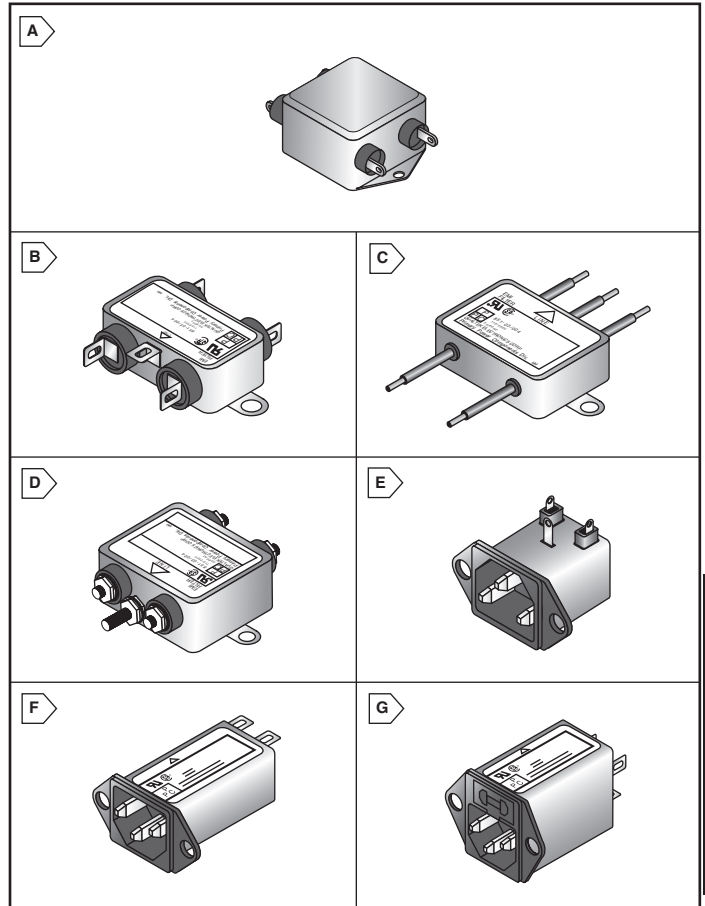
- Maximum leakage current each line-to-ground @ 115VAC 60Hz: .25mA; @ 250VAC 50Hz: .45mA
- Rated voltage: 115/250VAC
- Hipot rating (one minute) line-to-ground: 2250VDC; line-to-line: 1450VDC
- Operating frequency: 50-60Hz



Use Circuit Diagram 8

For quantities greater than listed, call for quote.

MOUSER STOCK NO.	Qualtek Part No.	Fig.	Inductance	Rated Current @ 250VAC	Dimensions: in.			Price Each		
					H	L	W	1	25	50
562-860-02/1	860-02/001	G	2.4mH	2A	1.29	2.54	1.73	11.10	10.55	10.05
562-860-04/3	860-04/003	G	2.8mH	4A	1.29	2.23	1.73	11.50	10.93	10.38
562-860-06/5	860-06/005	G	1.3mH	6A	1.29	2.54	1.73	11.50	10.93	10.38



Circuit Diagrams

