

SCHURTER Power Entry Modules



ELECTRONIC COMPONENTS

SCHURTER 5200/5220 SERIES: AC INLET WITH RFI LINE FILTER AND FUSEHOLDER

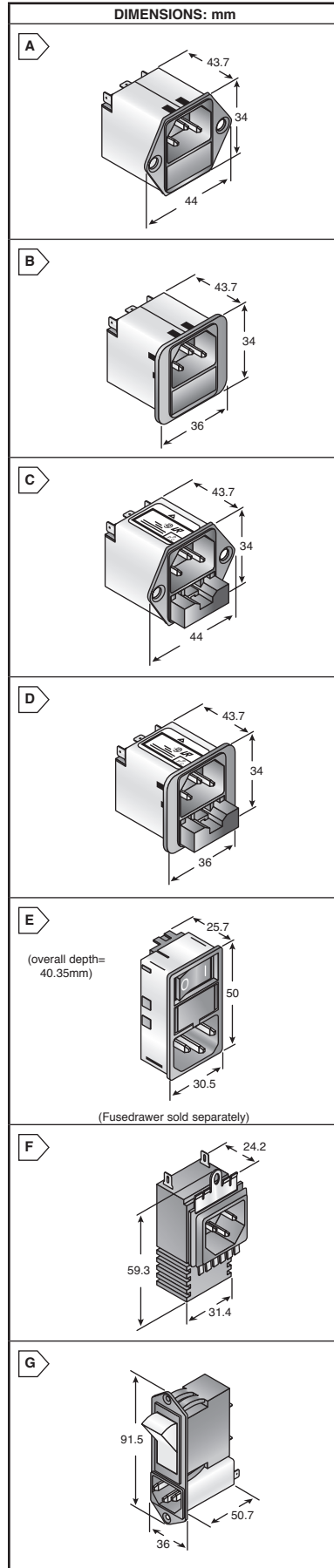
Specifications:

- For "cold" connections 70°C.
- Class I level of protection (with ground terminal); IEC320/C14
- Terminals: .250" quick connect
- Max. leakage current: Standard - <0.5mA; Medical - <5µA
- Medical units qualify for use in equipment with safety requirements according to IEC 601-1
- 5X20mm fuses sold separately



For quantities greater than listed, call for quote.

MOUSER STOCK NO.	Schurter Part No.	Fig.	Rated Current	Inductance	Mounting Type	Price Each			
						1	10	25	50
1-pole with Standard RFI Filter									
693-5200.0123.1	5200.0123.1	A	1A	11mH	Screw-on	28.94	25.71	23.16	21.87
693-5200.0143.1	5200.0143.1	B	1A	11mH	Snap-in	28.24	25.09	22.60	21.34
693-5200.0423.1	5200.0423.1	A	4A	1.6mH	Screw-on	25.73	22.86	20.59	19.44
693-5200.0623.1	5200.0623.1	A	6A	0.7mH	Screw-on	25.11	22.31	20.09	18.97
693-5200.0643.1	5200.0643.1	B	6A	0.7mH	Snap-in	25.11	22.31	20.08	18.97
693-5200.1023.1	5200.1023.1	A	10A	0.4mH	Screw-on	19.30	17.83	16.71	15.62
693-5200.1043.1	5200.1043.1	B	10A	0.4mH	Snap-in	25.73	22.86	20.58	19.44
2-pole with Standard RFI Filter									
693-5220.0623.1	5220.0623.1	C	6A	0.7mH	Screw-on	28.27	25.14	22.62	21.37
2-pole with Medical RFI Filter									
693-5220.0443.3	5220.0443.3	D	4A	1.6mH	Snap-in	34.08	30.29	27.28	25.76
693-5220.0643.3	5220.0643.3	D	6A	0.7mH	Snap-in	30.30	26.93	24.25	22.90
Accessories for 5200 and 5220 Series									
693-0888.0004	0888.0004	----	Cord retaining clamp for screw-on 5200 and 5220			7.73	6.88	6.20	5.85



SCHURTER KMF SERIES: AC INLETS WITH RFI LINE FILTER, SWITCH EMC SHIELD, AND FUSEHOLDER

Specifications:

- For "cold" connections 70°C.
- Class I level of protection (with ground terminal); IEC320/C14
- Terminals: .187" quick connect
- DPST switch (On-Off)
- Snap-in mounting from front
- Medical units qualify for use in equipment with safety requirements according to IEC 601-1
- 5X20mm fuses sold separately
- Fusedrawers and casings must be ordered separately



For quantities greater than listed, call for quote.

MOUSER STOCK NO.	Schurter Part No.	Fig.	Rated Current	Inductance	Mounting Type	Price Each			
						1	10	25	50
Casing with Standard RFI Filter									
693-KMF1.1211.11	KMF1.1211.11	E	1A	11mH	1-pole	23.53	20.91	18.82	17.78
693-KMF1.1261.11	KMF1.1261.11	E	6A	0.7mH	1-pole	26.47	23.52	21.17	20.00
693-KMF1.1291.11	KMF1.1291.11	E	10A	0.4mH	1-pole	23.53	20.91	18.82	17.78
693-KMF1.1111.11	KMF1.1111.11	E	1A	11mH	2-pole	26.00	23.11	20.80	19.65
693-KMF1.1161.11	KMF1.1161.11	E	6A	0.7mH	2-pole	26.00	23.11	20.80	19.65
693-KMF1.1191.11	KMF1.1191.11	E	10A	0.4mH	2-pole	26.64	23.68	21.31	20.14
Casing with Medical RFI filter									
693-KMF1.1123.11	KMF1.1123.11	E	6A	0.7mH	2-pole	30.48	27.08	24.38	23.01
693-KMF1.1193.11	KMF1.1193.11	E	10A	0.4mH	2-pole	29.74	26.42	23.79	22.45
Fusedrawers for KMF Series									
693-4301.1405	4301.1405			Standard, 1-pole, black		1.87	1.64	1.54	1.42
693-4301.1407	4301.1407			Medical, 1-pole, black		1.96	1.72	1.61	1.48
693-4301.1401	4301.1401			Standard, 2-pole, black		3.13	2.83	2.59	2.42
693-4301.1403	4301.1403			Medical, 2-pole, black		3.13	2.83	2.59	2.42
693-4301.1413	4301.1413			Standard, 2-pole, black, with neutral side shorting bar		4.00	3.57	3.22	3.08
693-4301.1415	4301.1415			Medical, 2-pole, black, with neutral side shorting bar		4.70	4.19	3.77	3.58

SCHURTER GRF4 SERIES: AC INLETS WITH RFI LINE FILTER AND EMI SHIELD

Specifications:

- For "cold" connections 70°C
- Class I level of protection (with ground terminal); IEC320/C14
- Terminals: .187" quick connect
- Max. leakage current: Standard - <0.5mA; Medical - <5µA
- Metal shield safeguards equipment against radiated EMI
- Snap-in design allows pre-wiring before mounting
- Flexible steel claws make multiple contact points on the panel to ensure shield integrity
- Medical units qualify for use in equipment with safety requirements according to IEC 601-1



For quantities greater than listed, call for quote.

MOUSER STOCK NO.	Schurter Part No.	Fig.	Rated Current	Inductance	Mounting Type	Price Each			
						1	10	25	50
With Medical RFI Filter									
693-GRF4.0029.013	GRF4.0029.013	F	15A	.075mH	Snap-in	13.98	12.43	11.18	10.56

SCHURTER PEM45 SERIES: AC INLET WITH THERMAL CIRCUIT BREAKER AND RFI FILTER

Specifications:

- AC inlet according to IEC 60320/C14
- Manual reset 2-pole white rocker switch with embossed I/O legend
- IP40 degree of protection on front side
- Screw-on panel mount
- Max. leakage current: Standard - <0.5mA; Medical - <5µA
- Terminals: .250" quick connect



For quantities greater than listed, call for quote.

MOUSER STOCK NO.	Schurter Part No.	Fig.	Rated Current CB/Filter	Thermal Overload Protection	Filter Induction	Price Each			
						1	10	25	50
With Standard RFI Filter									
693-5-ABTWF050C0-511	5-ABTWF050C0-511	G	5A/6A	1-pole	0.7mH	34.60	30.83	27.79	26.27
693-5-ABTWF150C0-811	5-ABTWF150C0-811	G	15A/15A	1-pole	0.1mH	34.05	30.28	27.24	25.72
693-5-ABDWF050C0-511	5-ABDWF050C0-511	G	5A/6A	2-pole	0.7mH	40.11	35.66	32.09	30.30
693-5-ABDWF150C0-811	5-ABDWF150C0-811	G	15A/15A	2-pole	0.1mH	40.11	35.66	32.09	30.30
With Medical RFI Filter									
693-5-ABTWF050C0-531	5-ABTWF050C0-531	G	5A/6A	1-pole	0.7mH	38.30	34.06	30.64	28.93
693-5-ABTWF150C0-831	5-ABTWF150C0-831	G	15A/15A	1-pole	0.1mH	38.30	34.06	30.64	28.93
693-5-ABDWF050C0-531	5-ABDWF050C0-531	G	5A/6A	2-pole	0.7mH	42.51	37.79	34.01	32.12
693-5-ABDWF150C0-831	5-ABDWF150C0-831	G	15A/15A	2-pole	0.1mH	42.51	37.79	34.01	32.12