

SCHURTER Power Entry Modules

SCHURTER KEA SERIES: AC INLETS WITH FUSEHOLDER

Features:

- For "cold" connections 65°C
- Class I level of protection (with ground terminal); IEC320/C14
- Rating: UL/CSA/VDE - 10A/250V

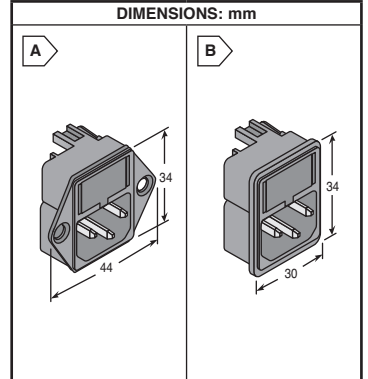
Fusedrawers and casings must be ordered separately, 5X20mm fuses sold separately



Casing Only

MOUSER STOCK NO.	Schurter Part No.	Fig.	Panel Thickness	No. of Poles (Fuseholder)	Mounting Type	Price Each			
						1	25	50	100
693-4301.0521	4301.0521	A	8mm max.	1	Screw-on	3.54	3.01	2.64	2.42
693-4301.0501	4301.0501	A	8mm max.	2	Screw-on	4.11	3.67	3.32	3.16
693-4301.0522	4301.0522	B	1.5mm	1	Snap-in	3.54	3.01	2.64	2.42
693-4301.0502	4301.0502	B	1.5mm	2	Snap-in	3.90	3.58	3.30	3.09

For quantities greater than listed, call for quote.



SCHURTER KE/KG SERIES: AC INLETS WITH VOLTAGE SELECTOR AND INTERCHANGEABLE FUSEDRAWER

Features:

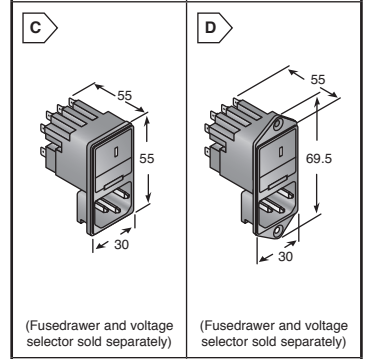
- For "cold" connections 65°C
- Terminals: .187" quick connect
- 2-pole fusing type
- IP40 protection (front side)
- Class I level of protection (with ground terminal); IEC320/C14
- Voltage selector with series parallel connections and 4, 3, or 2 switch positions
- Rating: UL - 15A/250V, CSA/VDE - 10A/250V
- Medical fusedrawers meet requirements of tool only accessibility of medical standards IEC 601-1



Casing Only

MOUSER STOCK NO.	Schurter Part No.	Fig.	Panel Thickness	Internal Connection	Mounting Type	Price Each			
						1	10	25	50
693-KE10.2100.105	KE10.2100.105	C	1.5mm	No	Snap-in	16.80	15.12	13.59	12.20
693-KE10.2100.151	KE10.2100.151	D	8mm max.	No	Screw-on	16.80	15.12	13.59	12.20
693-KE10.6100.151	KE10.6100.151	D	8mm max.	Yes	Screw-on	14.73	13.39	11.34	10.62
693-KG10.6101.105	KG10.6101.105	E	1.5mm	----	Snap-in	21.46	19.67	18.16	16.86
693-KG10.6101.151	KG10.6101.151	F	8mm max.	----	Screw-on	23.61	20.98	18.90	17.83

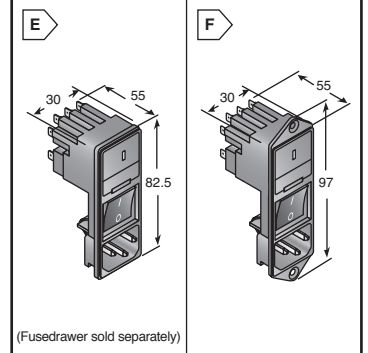
For quantities greater than listed, call for quote.



Accessories

MOUSER STOCK NO.	Schurter Part No.	Description	Price Each			
			1	25	50	100
Fusedrawers & Voltage Selector Inserts for KE/KG						
693-4305.0048.01	4305.0048.01	Voltage selector insert marking 100/120/220/240	7.16	6.53	5.70	5.39
693-4305.0048.03	4305.0048.03	Voltage selector insert marking 110/220	8.05	7.34	6.41	6.06
693-4305.0048.05	4305.0048.05	Voltage selector insert marking 115/230	6.80	6.17	5.72	5.30
693-4305.0001	4305.0001	Fusedrawer for 5 x 20mm, 2-pole black	5.24	4.67	4.29	4.02
693-4305.0021	4305.0021	Fusedrawer, 5 x 20mm, 2-pole black, neutral shorting bar	6.59	6.05	5.88	5.31
693-4305.0012	4305.0012	Fusedrawer for _x1_ 2-pole gray	5.00	4.45	4.09	3.83
Insulation Covers for KE/KG Series						
693-0859.0076	0859.0076	Insulation cover, flexible plastic PVC, UL 94V-0 rated for KE	4.49	3.99	3.60	3.39
693-0859.0109	0859.0109	Insulation cover for KG	3.54	3.24	2.99	2.78

For quantities greater than listed, call for quote.



SCHURTER DC11/DC12 POWER ENTRY MODULES FOR HIGH CURRENT

Specifications:

- Rated Voltage: DC11 - 2500VAC; DC12 - 125/250VAC
- Appliance inlet according to IEC/EN 60320-1/C14
- Degree of Protection: IP40
- Terminals: DC11 - .187"QC; DC12 - .250"QC
- Switch Rating: 16A/250VAC - 10,000 switch operations; 10A/250VAC - 50,000 switch operations

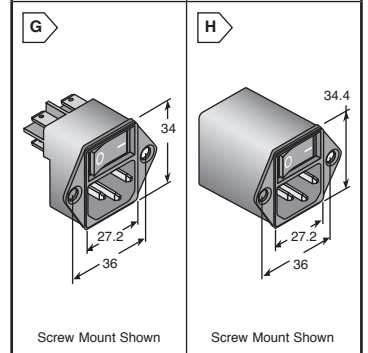
Features:

- All single elements are already wired
- Qualified for use in equipment according to IEC/EN 60950
- Models with line filter have EMC shield



For quantities greater than listed, call for quote.

MOUSER STOCK NO.	Schurter Part No.	Fig.	Rated Current	Mounting Type	Panel Thickness	Line Switch		Price Each			
						No. of Poles	Illumination	1	10	25	50
Front Mount Without Line Filter											
693-DC11.0001.003	DC11.0001.003	G	12 A	Screw-on	----	1	----	8.31	7.39	6.65	6.28
693-DC11.0001.203	DC11.0001.203	G	12 A	Snap-in	1.5mm	1	----	8.31	7.39	6.65	6.28
693-DC11.0001.303	DC11.0001.303	G	12 A	Snap-in	2.0mm	1	----	9.57	8.51	7.66	7.23
693-DC11.0001.001	DC11.0001.001	G	12 A	Screw-on	----	2	----	8.76	7.79	7.02	6.62
693-DC11.0001.201	DC11.0001.201	G	12 A	Snap-in	1.5mm	2	----	8.97	7.98	7.19	6.78
693-DC11.0001.301	DC11.0001.301	G	12 A	Snap-in	2.0mm	2	----	8.76	7.79	7.02	6.62
693-DC11.0001.401	DC11.0001.401	G	12 A	Snap-in	2.5mm	2	----	8.97	7.98	7.19	6.78
693-DC11.0021.001	DC11.0021.001	G	12 A	Screw-on	----	2	Red	12.71	11.29	10.17	9.60
693-DC11.0021.201	DC11.0021.201	G	12 A	Snap-in	1.5mm	2	Red	12.71	11.29	10.17	9.60
Front Mount With Standard Line Filter											
* 693-DC12.1102.003	DC12.1102.003	H	1 A	Screw-on	----	1	----	33.36	29.66	26.70	25.22
* 693-DC12.2102.003	DC12.2102.003	H	2 A	Screw-on	----	1	----	34.19	30.40	27.36	25.85
* 693-DC12.3102.003	DC12.3102.003	H	4 A	Screw-on	----	1	----	34.19	30.40	27.36	25.85
* 693-DC12.4102.003	DC12.4102.003	H	6 A	Screw-on	----	1	----	33.36	29.66	26.70	25.22
* 693-DC12.5102.003	DC12.5102.003	H	10 A	Screw-on	----	1	----	28.02	25.47	23.75	21.89
* 693-DC12.1102.001	DC12.1102.001	H	1 A	Screw-on	----	2	----	31.87	28.98	27.00	24.90
* 693-DC12.2102.001	DC12.2102.001	H	2 A	Screw-on	----	2	----	35.88	31.88	28.70	27.09
* 693-DC12.3102.001	DC12.3102.001	H	4 A	Screw-on	----	2	----	35.88	31.88	28.70	27.09
* 693-DC12.4102.001	DC12.4102.001	H	6 A	Screw-on	----	2	----	35.01	31.11	28.00	26.43
* 693-DC12.5102.001	DC12.5102.001	H	10 A	Screw-on	----	2	----	32.26	28.68	25.82	24.38



SCHURTER DC21/DC22 SERIES: PCB MOUNT, COMPACT POWER ENTRY MODULES

Specifications:

- Screw-on rear side panel mount
- Non-illuminated 2-pole switch
- Inrush current: 100A 3-4ms, 5 A continuous
- Switch and inlet pre-wired for 3-pin (L, N, & E) installation
- Qualified for use in equipment according to IEC/EN 60950
- Switch UL1054 rating: 20A @ 125VAC
- DC22 also available with medical version filter



For quantities greater than listed, call for quote.

MOUSER STOCK NO.	Schurter Part No.	Fig.	Rated Current	Panel Thickness (max)	Description	Price Each			
						1	25	50	100
693-DC21.0021.1111	DC21.0021.1111	I	10 A	3.5mm	Switch and inlet only, covered	9.85	8.96	8.21	7.58
693-DC22.1121.111	DC22.1121.111	J	1 A	4.0mm	Switch and inlet with EMC filter	38.68	35.10	32.29	29.62
693-DC22.2121.111	DC22.2121.111	J	2 A	4.0mm	Switch and inlet with EMC filter	34.81	30.94	27.86	26.30
693-DC22.4121.111	DC22.4121.111	J	4 A	4.0mm	Switch and inlet with EMC filter	34.81	30.94	27.86	26.30

