

QUALTEK AC Power Receptacles

AC POWER INLETS IEC 320 - C14

Male low current inlet with snap-in and screw mount version.

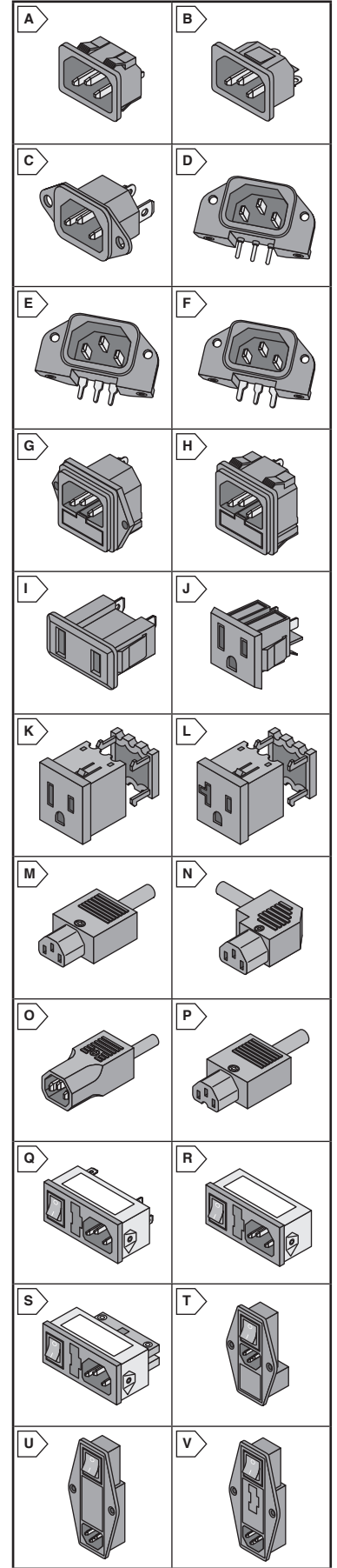
- Max. Rating: UL & CSA 15A/250VAC - VDE 10A/250VAC
- * Universal snap-in feature to fit .08mm - 2.0mm panel thickness.
- ** Panel thickness 1.5mm



† Do not have countersunk holes
‡‡ Have countersunk holes

For quantities greater than listed, call for quote.

MOUSER STOCK NO.	Qualtek Part No.	Fig.	Description	Terminals	Price Each			
					1	10	25	50
* 562-701W-X2/02	701W-X2/02	A	Snap-In Mount	Solder Tab	.62	.60	.58	.56
* 562-701W-X2/03	701W-X2/03	A	Snap-In Mount	.187 Q.D./Solder	.65	.54	.51	.48
* 562-701W-X2/04	701W-X2/04	A	Snap-In Mount	.250 Q.D.	.62	.54	.51	.48
** 562-701W-15/21	701W-15/21	B	Snap-In Mount	Solder Tab	.63	.60	.55	.53
** 562-701W-15/26	701W-15/26	B	Snap-In Mount	.187 Q.D./Solder	.75	.68	.54	.46
** 562-701W-15/31	701W-15/31	B	Snap-In Mount	.250 Q.D.	.78	.73	.69	.65
† 562-703W-00/02	703W-00/02	C	Screw Mount	Solder Tab	.80	.73	.71	.65
† 562-703W-00/03	703W-00/03	C	Screw Mount	.187 Q.D./Solder	.68	.65	.63	.60
† 562-703W-00/04	703W-00/04	C	Screw Mount	.250 Q.D.	.78	.76	.74	.72
‡‡ 562-703W-00/06	703W-00/06	C	Screw Mount	Solder Tab	.90	.75	.72	.68
‡‡ 562-703W-00/07	703W-00/07	C	Screw Mount	.187 Q.D./Solder	.75	.72	.70	.68
‡‡ 562-703W-00/08	703W-00/08	C	Screw Mount	.250 Q.D.	.72	.64	.60	.55



ANGLED INLET PCB MOUNT IEC 320 - C14

Male right angled PCB mount power inlet with 40mm mounting centers.

- Max. Rating: UL & CSA 15A/250VAC - VDE 10A/250VAC



For quantities greater than listed, call for quote.

MOUSER STOCK NO.	Qualtek Part No.	Fig.	Description	Terminals	Price Each			
					1	10	25	50
562-703W-00/52	703W-00/52	D	PCB Mount - Round Pins	7mm	1.27	1.21	1.17	1.11
562-703W-00/53	703W-00/53	E	PCB Mount - Flat Pins	7mm	.82	.74	.61	.53
562-703W-00/54	703W-00/54	F	PCB Mount - Flat Pins	9mm	.75	.69	.61	.58

POWER INLET WITH FUSEHOLDER IEC 320 - C14

Male power inlets with a fuseholder for single fuse.

- Max. Rating: UL & CSA 10A/250VAC - VDE 10A/250VAC



For quantities greater than listed, call for quote.

MOUSER STOCK NO.	Qualtek Part No.	Fig.	Description	Terminals	Price Each			
					1	10	25	50
562-719W-00/02	719W-00/02	G	Screw Mount	Solder Tab	1.15	1.09	1.03	.98
562-719W-00/03	719W-00/03	G	Screw Mount	.187 Q.D./Solder	1.74	1.64	1.58	1.54
562-719W-00/04	719W-00/04	G	Screw Mount	.250 Q.D.	1.03	.97	.92	.88
562-723W-X2/02	723W-X2/02	H	Snap-In Mount	Solder Tab	1.74	1.64	1.58	1.53
562-723W-X2/03	723W-X2/03	H	Snap-In Mount	.187 Q.D./Solder	1.83	1.76	1.69	1.58
562-723W-X2/04	723W-X2/04	H	Snap-In Mount	.250 Q.D.	2.00	1.91	1.86	1.81

NEMA 1-15R, 5-15R, 5-20R POWER OUTLET

Snap-in outlets with quick disconnect and IDC terminals.

- * Recommended for use with 12 or 14 AWG wire
- ** Recommended for use with 16 or 18 AWG wire
- ◆ RoHS, CSA and UR approvals only



For quantities greater than listed, call for quote.

MOUSER STOCK NO.	Qualtek Part No.	Fig.	Description	Nema Type	Terminals	Max. Rating	Price Each			
							1	10	25	50
◆ 562-738W-CX2-01	738W-CX2/01	I	Snap-In Mount	1-15R	Q.D./Solder	15A/125VAC	.96	.85	.70	.62
562-738W-X2/03	738W-X2/03	J	Snap-In Mount	5-15R	Q.D./Solder	15A/125VAC	.71	.65	.60	.56
* 562-739W-X2/03	739W-X2/03	K	Snap-In Mount	5-15R	IDC	15A/125VAC	.96	.91	.87	.82
** 562-739W-X2/04	739W-X2/04	K	Snap-In Mount	5-15R	IDC	10A/125VAC	.76	.731	.71	.69
562-739W-X2/20	739W-X2/20	L	Snap-In Mount	1-15R	IDC	20A/125VAC	.90	.85	.82	.80

AC POWER PLUG ASSEMBLIES

Male and female rewirable plug connectors with straight and 90° angle cable entry. Easily converts a power cord into a detachable power cordset.

- Max. Rating: UL, CSA, VDE 10A/250VAC



For quantities greater than listed, call for quote.

MOUSER STOCK NO.	Qualtek Part No.	Fig.	Description	Terminals	Price Each			
					1	10	25	50
562-704-00/00	704-00/00	M	Straight Entry	Screw	3.45	3.31	3.18	3.07
562-705-00/00	705-00/00	N	Angled Entry	Screw	4.50	4.35	4.25	4.00
562-712-00/00	712-00/00	O	Straight Entry	Screw	6.40	6.20	6.00	5.47
562-709-00/00	709-00/00	P	Straight Entry	Screw	5.70	5.42	5.14	4.88

MULTI-FUNCTION MODULES IEC 320 - C14

Both snap-in and screw mount incorporates an IEC male power inlet, fuseholder and optional voltage selector and power switch.

- Max. Rating: UL & CSA 6A/250VAC; VDE 10A/250VAC

- * Panel Thickness: 1.0-1.8mm
- ** Fuseholder for 5 x 20 (EURO) or 6.3 x 32mm (North American Type)



For quantities greater than listed, call for quote.

MOUSER STOCK NO.	Qualtek Part No.	Fig.	Description	Housing	Terminals	Fuseholder Switch	Power Selector	Volt.	Price Each			
									1	10	25	50
* 562-761-18/003	761-18/003	Q	Snap-In Mnt	Plastic	Solder Tab	Single 5x20	SPST	-	6.50	5.99	5.65	5.50
* 562-761-18/004	761-18/004	Q	Snap-In Mnt	Plastic	Solder Tab	Single 5x20	DPST	-	10.24	10.00	9.75	9.56
* 562-762-18/002	762-18/002	R	Snap-In Mnt	Metal	.250 Q.D.	Single 5x20	SPST	-	8.59	8.39	8.18	8.01
* 562-762-18/3	762-18/003	R	Snap-In Mnt	Metal	.250 Q.D.	Single 5x20	DPST	-	12.88	12.50	12.02	11.57
* 562-762-18/004	762-18/004	S	Snap-In Mnt	Metal	.250 Q.D.	Single 5x20	SPST	Rear	13.79	13.39	12.87	12.15
* 562-762-18/005	762-18/005	S	Snap-In Mnt	Metal	.250 Q.D.	Single 5x20	DPST	Rear	19.95	19.48	18.82	18.14
** 562-763-00/001	763-00/001	T	Screw Mount	Plastic	Solder Tab	Double ††	DPST	Front	6.56	6.45	6.25	6.06
562-764-00/002	764-00/002	U	Screw Mount	Plastic	Solder Tab	Double 5x20	DPST	-	8.29	7.46	6.89	6.74
562-764-00/003	764-00/003	V	Screw Mount	Plastic	Solder Tab	Double 5x20	DPST	Front	8.98	8.75	8.50	8.38