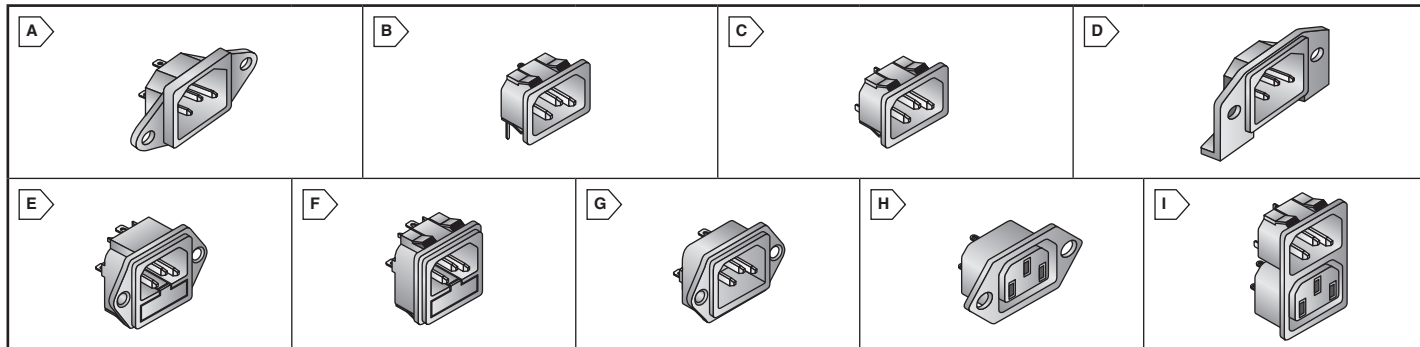


# AC Plugs, Receptacles and Connectors



## KOBICONN AC POWER INLETS/OUTLETS

### AC Power Inlets

#### Specifications:

- Current rating: 15A/250VAC
- Temperature rating: 65°C



For quantities greater than listed, call for quote.

MOUSER STOCK NO.	Fig.	Description	Terminal Type	Price Each		
				1	10	100
<a href="#">161-0707-1-E</a>	A	Screw mount	Solder tab	.83	.64	.58
<a href="#">161-0707-1-187-E</a>	A	Screw mount	Solder tab / .187" faston	.87	.67	.61
<a href="#">161-0707-1-250-E</a>	A	Screw mount	.250" faston	1.04	.80	.73
<a href="#">161-0711-2-E</a>	B	PCB mount	PC	1.25	.96	.87
<a href="#">161-0711-250-E</a>	C	Snap-in mount	.250" faston	1.16	.89	.81
<a href="#">161-0711-PQA-E</a>	C	Snap-in mount	Solder tab / .187" faston	1.24	.95	.86

### PC Board AC Power Inlet

#### Specifications:

- Current rating: 15A/250VAC
- Temperature rating: 65°C



For quantities greater than listed, call for quote.

MOUSER STOCK NO.	Fig.	Description	Terminal Type	Price Each		
				1	10	100
<a href="#">161-0714-7-E</a>	D	Screw mount	PC	1.48	1.14	1.03

### IEC 320 AC Power Inlets with Miniature Fuse Holder

#### Specifications:

- Current rating: 10A/250VAC
- Temperature rating: 65°C
- Accepts 5 x 20mm fuses



For quantities greater than listed, call for quote.

MOUSER STOCK NO.	Fig.	Description	Terminal Type	Price Each		
				1	10	100
<a href="#">161-0717-187-E</a>	E	Screw mount	Solder tab / .187" faston	2.09	1.74	1.58
<a href="#">161-0717-1-187-E</a>	F	Snap-in mount	Solder tab / .187" faston	2.09	1.74	1.58

### NEMA 5-15R, Screw Mount AC Power Inlets

#### Features:

- Mates to standard CEE-22 cord set
- Receptacles: approved for use in Europe
- Mates with detachable power cord sets
- Mates to Belden 17250, 17251 power cords
- 16PJ522 fused receptacle accepts up to 6 amp midjet fuse (5 x 20mm)



For quantities greater than listed, call for quote.

MOUSER STOCK NO.	Fig.	Rating	Description	Price Each		
				1	10	100
<a href="#">161-3516-E</a>	G	15A/250V	Standard w/solder lug terminal	1.41	1.08	.98

### IEC 320 AC Power Outlets

#### Specifications:

- Current rating: 10A / 250
- Temperature rating: 65°C



For quantities greater than listed, call for quote.

MOUSER STOCK NO.	Fig.	Rating	Mounting Type	Terminal Type	Price Each		
					1	10	100
<a href="#">161-0708-1-E</a>	H	10A/250V	Screw mount	Solder tab	.83	.69	.63

### IEC 320 / CEE 22 Combination AC Power Inlet/Outlet

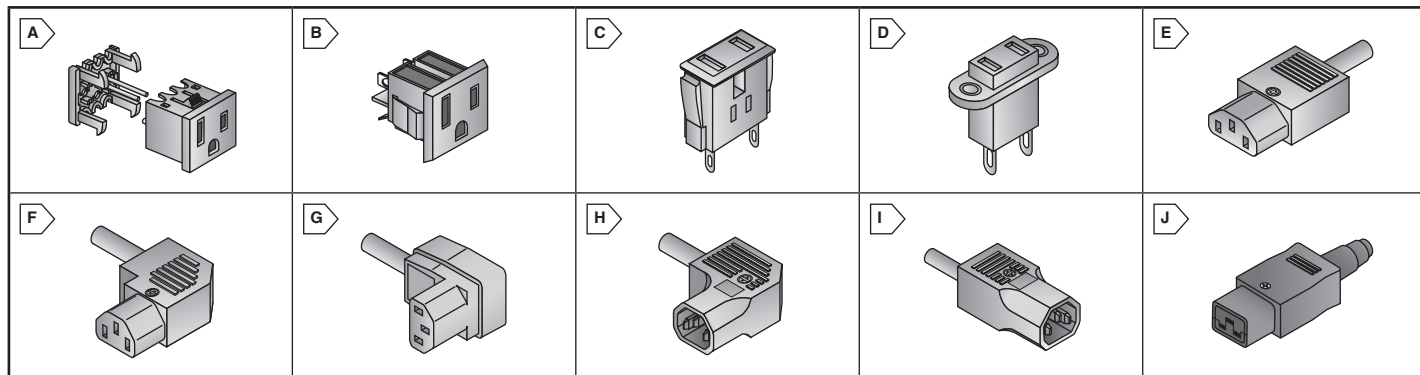
#### Specifications:

- Current Rating: 10A / 250
- Temperature Rating: 65°



For quantities greater than listed, call for quote.

MOUSER STOCK NO.	Fig.	Rating	Mounting Type	Terminal Type	Price Each		
					1	10	100
<a href="#">161-0712-E</a>	I	10A/250V	Snap-in Mount	Solder Tab .187" Faston	2.98	2.79	2.44



## AC RECEPTACLES

Note: All 2 conductor receptacles are non-polarized unless otherwise noted.

### Snap-In Mount

For quantities greater than listed, call for quote.

MOUSER STOCK NO.	Fig.	Description	Fits Panel Thickness	Price Each	
				1	10
<a href="#">161-0710-12-E</a>	A	15A/125VAC, 3 cond. w/grd, v-slot, .205" faston	.039-.063	1.04	.87
<a href="#">161-0709-E</a>	B	15A/125VAC, 3 cond. w/grd, solder tab, .187" faston	.039-.063	.70	.58
<a href="#">161-0715-E</a>	C	15A/125VAC, 2 conductor, polarized	.031-.059	.94	.72
<a href="#">15AC037</a>	C	15A/125VAC, 2 conductor, polarized	.031-.047	1.41	1.09

### Screw Mount

MOUSER STOCK NO.	Fig.	Rating	Description	Price Each	
				1	10
<a href="#">15AC021</a>	D	15A/125VAC	2 conductor, black plastic	2.55	1.96



## AC CONNECTORS

- Nylon UL 94V0, screw terminals



For quantities greater than listed, call for quote.

MOUSER STOCK NO.	Fig.	Rating	Description	Price Each	
				1	25
<a href="#">161-PX0587</a>	E	10A/250VAC	3 wire socket	3.21	2.94
<a href="#">161-PX0587/SE</a>	F	10A/250VAC	3 wire socket right angle	3.82	3.51
<a href="#">161-PX0588</a>	G	10A/250VAC	3 wire socket	4.23	4.05
<a href="#">161-PX0597</a>	H	10A/250VAC	3 wire socket hot conductor	3.89	3.58
<a href="#">171-PX0686</a>	I	10A/250VAC	3 wire plug	3.83	3.52
<a href="#">171-PX0686/SE</a>	H	10A/250VAC	3 wire plug right angle	4.41	4.05
<a href="#">161-PX0599</a>	J	20A/250VAC	3 wire C19 socket	7.44	6.83