

# 3M™ Molded Flat Ribbon Cable Assemblies



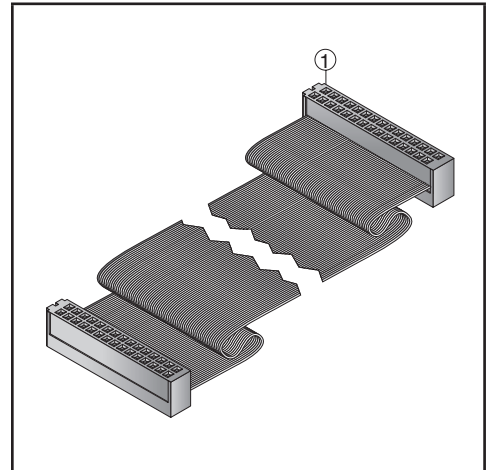
## .100" MOLDED FLAT RIBBON CABLE ASSEMBLIES

**Features:**

- Rugged termination
- Sockets mate with standard .100" x .100" headers and plugs
- Molded-in strain relief
- Low profile sockets with military polarization slots
- 28 AWG stranded, PVC flat cable
- No center bump
- No marking
- Mates with latch eject headers

**Specifications:**

- Voltage rating: 30V
- Temperature rating: -20°C to +105°C
- Connector orientation: Up-Up



For quantities greater than listed, call for quote.

MOUSER STOCK NO.	3M Part No.	No. of Con.	Length (mm)	Price Each	
				1	5
<b>Socket To Socket</b>					
517-1M-1010-010-6	1M-1010-010-3365-006.0-00-AB-00-0	10	152.4	5.35	4.76
517-1M-1010-010-12	1M-1010-010-3365-012.0-00-AB-00-0	10	304.8	4.34	4.09
517-1M-1010-010-18	1M-1010-010-3365-018.0-00-AB-00-0	10	457.2	4.65	4.30
517-1M-1010-014-6	1M-1010-014-3365-006.0-00-AB-00-0	14	152.4	3.52	3.33
517-1M-1010-014-12	1M-1010-014-3365-012.0-00-AB-00-0	14	304.8	5.11	4.73
517-1M-1010-014-18	1M-1010-014-3365-018.0-00-AB-00-0	14	457.2	5.22	4.82
517-1M-1010-016-6	1M-1010-016-3365-006.0-00-AB-00-0	16	152.4	5.13	4.74
517-1M-1010-016-12	1M-1010-016-3365-012.0-00-AB-00-0	16	304.8	8.16	7.55
517-1M-1010-020-6	1M-1010-020-3365-006.0-00-AB-00-0	20	152.4	5.47	5.02
517-1M-1010-020-12	1M-1010-020-3365-012.0-00-AB-00-0	20	304.8	5.75	5.32
517-1M-1010-020-18	1M-1010-020-3365-018.0-00-AB-00-0	20	457.2	6.07	5.62
517-1M-1010-026-6	1M-1010-026-3365-006.0-00-AB-00-0	26	152.4	5.33	4.95
517-1M-1010-034-12	1M-1010-034-3365-012.0-00-AB-00-0	34	304.8	6.83	6.32
517-1M-1010-040-6	1M-1010-040-3365-006.0-00-AB-00-0	40	152.4	7.51	6.94
517-1M-1010-040-12	1M-1010-040-3365-012.0-00-AB-00-0	40	304.8	8.09	7.47
517-1M-1010-050-6	1M-1010-050-3365-006.0-00-AB-00-0	50	152.4	8.35	7.73
517-1M-1010-050-12	1M-1010-050-3365-012.0-00-AB-00-0	50	304.8	9.69	8.96
517-1M-1010-064-12	1M-1010-064-3365-012.0-00-AB-00-0	64	304.8	11.08	10.45
<b>Socket To PCB Plug</b>					
517-1M-1021-010-6	1M-1021-010-3365-006.0-00-AB-00-0	10	152.4	4.36	4.04
517-1M-1021-010-12	1M-1021-010-3365-012.0-00-AB-00-0	10	304.8	4.36	4.11
517-1M-1021-010-18	1M-1021-010-3365-018.0-00-AB-00-0	10	457.2	4.67	4.32
517-1M-1021-014-6	1M-1021-014-3365-006.0-00-AB-00-0	14	152.4	4.77	4.41
517-1M-1021-014-12	1M-1021-014-3365-012.0-00-AB-00-0	14	304.8	4.99	4.61
517-1M-1021-016-12	1M-1021-016-3365-012.0-00-AB-00-0	16	304.8	5.27	4.88
517-1M-1021-020-6	1M-1021-020-3365-006.0-00-AB-00-0	20	152.4	5.36	4.96
517-1M-1021-026-6	1M-1021-026-3365-006.0-00-AB-00-0	26	152.4	5.92	5.47
517-1M-1021-034-6	1M-1021-034-3365-006.0-00-AB-00-0	34	152.4	6.88	6.36
517-1M-1021-040-6	1M-1021-040-3365-006.0-00-AB-00-0	40	152.4	7.55	6.98
517-1M-1021-040-12	1M-1021-040-3365-012.0-00-AB-00-0	40	304.8	7.73	7.15
517-1M-1021-050-6	1M-1021-050-3365-006.0-00-AB-00-0	50	152.4	8.24	7.62

Cable Assemblies

3M