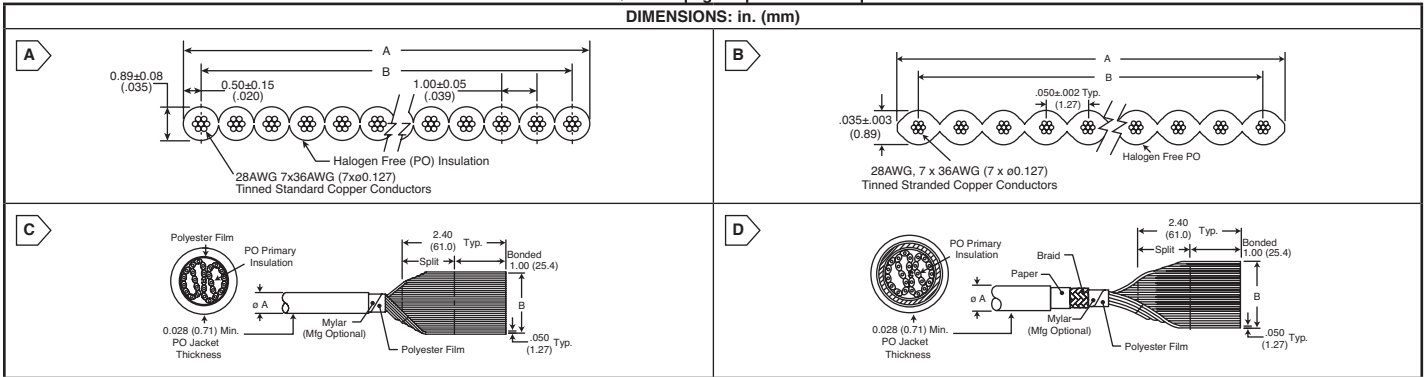


3M™ Halogen Free Cable



This page of product is compliant.

DIMENSIONS: in. (mm)



Features:

- Low Smoke Zero Halogen (LSZH) Insulation. Advantages of LSZH insulation are the low smoke (IEC 61034-2:2005), and low toxicity of combustion gases (NF X 70-100-2:2006), reducing the risk to firefighters, and reducing the soot and corrosion damage to nearby equipment.
- Broad operating temperature range from -40°C to 105°C
- 28 AWG wire on .050 inch centers permits mass termination to broad line of IDC connectors
- Zippable for branching or discrete terminations
- See the Regulatory Information Appendix (RIA) in the "RoHS compliance" section of www.3Mconnector.com for compliance information (RIA E1 & C1 apply)

HF625 SERIES ROUND CONDUCTOR FLAT CABLE

Specifications:

- Voltage Rating: USA: 300V Canada: 150V EU: <50V • Flammability Rating: UL: Horizontal • Color: Dark Gray



MOUSER STOCK NO.	3M Part No.	Fig.	No. of Cond.	Dimensions: in. (mm)		Price Per 30m Roll
				A ±.013	B (Pertains to Bonded Area Only)	
517-HF625/08-30	HF625/08-30	A	8	8.00 ± 0.20 (.315)	7.00 ± 0.18 (.276)	24.00
517-HF625/10-30	HF625/10-30	A	10	10.00 ± 0.20 (.394)	9.00 ± 0.18 (.354)	30.00
517-HF625/12-30	HF625/12-30	A	12	12.00 ± 0.20 (.472)	11.00 ± 0.18 (.433)	33.23
517-HF625/14-30	HF625/14-30	A	14	14.00 ± 0.20 (.551)	13.00 ± 0.18 (.512)	38.77
517-HF625/16-30	HF625/16-30	A	16	16.00 ± 0.22 (.630)	15.00 ± 0.20 (.591)	44.31
517-HF625/20-30	HF625/20-30	A	20	20.00 ± 0.22 (.787)	19.00 ± 0.20 (.748)	55.38
517-HF625/26-30	HF625/26-30	A	26	26.00 ± 0.22 (1.024)	25.00 ± 0.20 (.984)	72.00
517-HF625/30-30	HF625/30-30	A	30	30.00 ± 0.25 (1.181)	29.00 ± 0.23 (1.142)	79.00
517-HF625/34-30	HF625/34-30	A	34	34.00 ± 0.25 (1.339)	33.00 ± 0.23 (1.299)	90.00
517-HF625/40-30	HF625/40-30	A	40	40.00 ± 0.25 (1.575)	39.00 ± 0.23 (1.535)	105.88
517-HF625/44-30	HF625/44-30	A	44	44.00 ± 0.25 (1.732)	43.00 ± 0.23 (1.693)	116.47
517-HF625/50-30	HF625/50-30	A	50	50.00 ± 0.25 (1.969)	49.00 ± 0.23 (1.929)	132.35

HF365 SERIES ROUND CONDUCTOR FLAT CABLE

Specifications:

- Voltage Rating: USA: 300V Canada: 150V EU: <50V • Flammability Rating: UL: Horizontal • Color: Dark Gray



MOUSER STOCK NO.	3M Part No.	Fig.	No. of Cond.	Dimensions: in. (mm)		Price Per 100' Spool
				A ±.013	B (Pertains to Bonded Area Only)	
Splice Free						
517-HF365/06SF	HF365/06SF	B	6	.300 ± .010 (11.43)	.250 ± .007 (10.16)	39.30
517-HF365/09SF	HF365/09SF	B	9	.450 ± .010 (11.43)	.350 ± .007 (10.16)	37.63
517-HF365/10SF	HF365/10SF	B	10	.500 ± .010 (12.70)	.450 ± .007 (11.43)	40.43
517-HF365/14SF	HF365/14SF	B	14	.700 ± .010 (17.78)	.650 ± .007 (16.51)	51.45
517-HF365/16SF	HF365/16SF	B	16	.800 ± .015 (20.32)	.750 ± .011 (19.05)	57.03
517-HF365/20SF	HF365/20SF	B	20	1.000 ± .015 (25.40)	0.950 ± .011 (24.13)	68.11
517-HF365/24SF	HF365/24SF	B	24	1.200 ± .015 (30.48)	1.150 ± .011 (29.21)	79.18
517-HF365/25SF	HF365/25SF	B	25	1.250 ± .015 (31.75)	1.200 ± .011 (30.48)	82.59
517-HF365/26SF	HF365/26SF	B	26	1.300 ± .015 (33.02)	1.250 ± .011 (31.75)	85.99
517-HF365/34SF	HF365/34SF	B	34	1.700 ± .020 (43.18)	1.650 ± .015 (41.91)	114.12
517-HF365/40SF	HF365/40SF	B	40	2.000 ± .020 (50.80)	1.950 ± .015 (49.53)	134.26
517-HF365/50SF	HF365/50SF	B	50	2.500 ± .020 (63.50)	2.450 ± .015 (62.23)	164.69
Spliced						
517-HF365/09	HF365/09	B	9	.450 ± .010 (11.43)	.350 ± .007 (10.16)	34.18
517-HF365/14	HF365/14	B	14	.700 ± .010 (17.78)	.650 ± .007 (16.51)	46.77
517-HF365/20	HF365/20	B	20	1.000 ± .015 (25.40)	0.950 ± .011 (24.13)	61.89
517-HF365/30	HF365/30	B	30	1.500 ± .020 (38.10)	1.450 ± .015 (36.83)	89.44
517-HF365/50	HF365/50	B	50	2.500 ± .020 (63.50)	2.450 ± .015 (62.23)	145.07

HF759 SERIES ROUND, JACKETED, FLAT CABLE

Specifications:

- Voltage Rating: USA: 300V Canada: 150V EU: <50V • Flammability Rating: USA: VW-1, Canada: FT-1 • Color: Dark Gray



MOUSER STOCK NO.	3M Part No.	Fig.	No. of Cond.	Dimensions: in. (mm)		Price Per 275' Spool
				A ±.013	B (Pertains to Bonded Area Only)	
517-HF759/09SF	HF759/09SF	C	9	0.26 (6.6)	0.40 (10.2)	315.37
517-HF759/14SF	HF759/14SF	C	14	0.27 (6.9)	0.65 (16.5)	358.79
517-HF759/16SF	HF759/16SF	C	16	0.27 (6.9)	0.75 (19.1)	387.46
517-HF759/34SF	HF759/34SF	C	34	0.37 (9.4)	1.65 (41.9)	493.21
517-HF759/37SF	HF759/37SF	C	37	0.39 (9.9)	1.80 (45.7)	520.56
517-HF759/40SF	HF759/40SF	C	40	0.39 (9.9)	1.95 (49.5)	534.16
517-HF759/50SF	HF759/50SF	C	50	0.44 (11.2)	2.45 (62.2)	621.99
517-HF759/64SF	HF759/64SF	C	64	0.50 (12.7)	3.15 (80.0)	748.64
Spliced						
517-HF759/10	HF759/10	C	10	0.26 (6.6)	0.45 (11.4)	300.07
517-HF759/20	HF759/20	C	20	0.30 (7.6)	0.95 (24.1)	365.39

HF659 SERIES ROUND, SHEILDED/JACKETED, FLAT CABLE

Specifications:

- Voltage Rating: USA: 300V Canada: 150V EU: <50V • Flammability Rating: USA: VW-1, Canada: FT-1 • Color: Dark Gray



MOUSER STOCK NO.	3M Part No.	Fig.	No. of Cond.	Dimensions: in. (mm)		Price Per 275' Spool
				A ±.013	B (Pertains to Bonded Area Only)	
517-HF659/37SF	HF659/37SF	D	37	0.43 (10.9)	1.80 (45.7)	609.21

NEW FROM 3M

NEW FROM 3M

Wire & Cable

3M

NEW FROM 3M

NEW FROM 3M