

PANDUIT Abrasion Protection

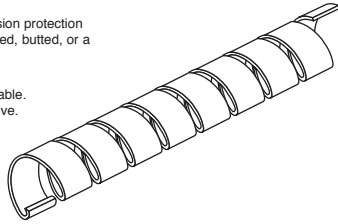


SPIRAL WRAP

Clear polyethylene wrap provides abrasion protection for wire bundles. Can be installed gapped, butted, or a combination of both.

Other sizes, colors, and materials available. Contact a Mouser Service Representative.

• Flammability rating: UL 94HB



For quantities greater than listed, call for quote.

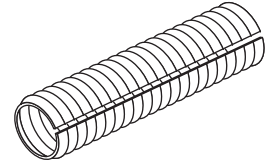
| MOUSER STOCK NO. | Panduit Part No. | O.D. Size: in. | Color | Material | Price Each | |
|------------------|------------------|----------------|---------|--------------|------------|--------|
| | | | | | 1 | 10 |
| 644-T12F-C | T12F-C | .125D x 100FT | Natural | Polyethylene | 59.90 | 56.59 |
| 644-T25F-C | T25F-C | .250D x 100FT | Natural | Polyethylene | 75.21 | 66.89 |
| 644-T25F-C3 | T25F-C3 | .250D x 100FT | Orange | Polyethylene | 80.57 | 71.77 |
| 644-T25F-C4 | T25F-C4 | .250D x 100FT | Yellow | Polyethylene | 67.80 | 60.32 |
| 644-T38F-C | T38F-C | .375D x 100FT | Natural | Polyethylene | 98.75 | 94.74 |
| 644-T50F-C | T50F-C | .500D x 100FT | Natural | Polyethylene | 213.98 | 190.35 |

CORRUGATED LOOM TUBING

Used where spiral wrap or braided expandable sleeving may be difficult to install.

- Material: Black polyethylene
- Temp Range: -40°F to 122°F
- Flammability Rating: UL94 HB

Other sizes available. Contact a Mouser Service Representative.



RoHS Compliant

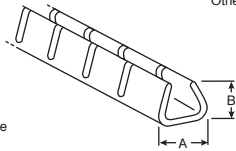
| MOUSER STOCK NO. | Panduit Part No. | Size: in. (ID x OD) | Loom Tubing Wall | Reel Length | Price Each | |
|------------------|------------------|---------------------|------------------|-------------|------------|-------|
| | | | | | 1 | 5 |
| 644-CLT25F-C20 | CLT25F-C20 | .28 x .40 | Slit | 100 feet | 45.98 | 41.38 |
| 644-CLT50F-C20 | CLT50F-C20 | .51 x .670 | Slit | 100 feet | 64.61 | 57.26 |
| 644-CLTS25F-C | CLTS25F-C | .28 x .40 | Solid | 100 feet | 46.82 | 41.67 |
| 644-CLTS38F-C | CLTS38F-C | .42 x .56 | Solid | 100 feet | 66.96 | 59.42 |
| 644-CLTS50F-C | CLTS50F-C | .51 x .670 | Solid | 100 feet | 82.99 | 75.77 |

GROMMET EDGING

Protects and insulates wires and cables from chafing against sharp edges.

• Slotted wall

F= Natural polyethylene
FR= UL94V-0, flame retardant polyethylene



Other sizes and materials available. Contact a Mouser Service Representative.



RoHS Compliant

| MOUSER STOCK NO. | Panduit Part No. | Dimensions: in. | | Price Each | | |
|------------------|------------------|-----------------|------|------------|-------|-------|
| | | A | B | 1 | 10 | 25 |
| 644-GEE36F-C | GEE36F-C | .026 | .036 | 40.95 | 36.32 | 34.46 |
| 644-GEE62F-C | GEE62F-C | .036 | .062 | 50.40 | 44.82 | 42.53 |
| 644-GEE99F-C | GEE99F-C | .062 | .099 | 65.50 | 61.46 | 59.13 |
| 644-GEE144F-C | GEE144F-CY | .099 | .144 | 80.21 | 71.37 | 67.70 |
| 644-GEE62FR-CY | GEE62FR-CY | .036 | .062 | 64.53 | 60.66 | 58.72 |
| 644-GEE99FR-CY | GEE99FR-CY | .062 | .099 | 89.20 | 79.05 | 75.25 |
| 644-GEE144FR-CY | GEE144FR-CY | .099 | .144 | 85.01 | 75.63 | 71.76 |

BRAIDED EXPANDABLE SLEEVING

Provides continuous abrasion resistance for wires, cables and tubing. Lightweight, durable protection. Highly flexible open weave will not trap heat or humidity.

- Material: black polyethylene terephthalate
- Flammability rating: UL 94HB



RoHS Compliant

| MOUSER STOCK NO. | Panduit Part No. | Nominal ID: in. | Nominal Diameter Range: in. | Reel Length | Price Each | |
|------------------|------------------|-----------------|-----------------------------|-------------|------------|--------|
| | | | | | 1 | 5 |
| 644-SE12P-TR0 | SE12P-TR0 | 1/8 | .094 to .250 | 200 feet | 120.32 | 105.13 |
| 644-SE25P-TR0 | SE25P-TR0 | 1/4 | .125 to .375 | 200 feet | 161.60 | 141.19 |
| 644-SE38P-TR0 | SE38P-TR0 | 3/8 | .188 to .562 | 200 feet | 226.81 | 198.15 |
| 644-SE50P-CR0 | SE50P-CR0 | 1/2 | .250 to .750 | 100 feet | 171.83 | 156.21 |
| 644-SE75P-CR0 | SE75P-CR0 | 3/4 | .500 to 1.25 | 100 feet | 202.84 | 177.22 |
| 644-SE125P-LR0 | SE125P-LR0 | 1 1/4 | .750 to 1.50 | 50 feet | 115.09 | 100.55 |
| 644-SE150P-LR0 | SE150P-LR0 | 1 1/2 | 1.00 to 2.25 | 50 feet | 167.39 | 150.65 |

Panduit Wire & Cable Mgmt.

J-PRO CABLE SUPPORT SYSTEM

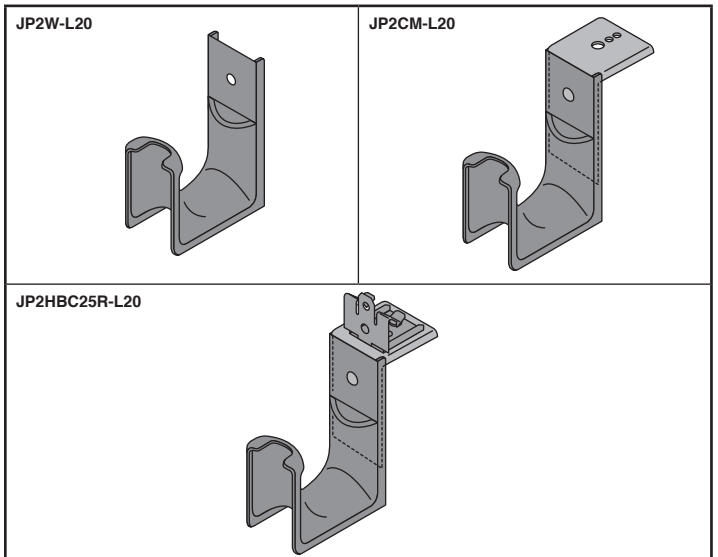
The J-Pro Cable Support System is designed to provide a competitive alternative to metal J Hooks for routing communication cables. It is suitable for use in air handling space and prevents pinch points that could cause damage to cable. The pre-riveted assemblies allow for attachment to ceilings, beams, threaded rods, drop wires and under floor supports to meet requirements of a variety of applications.

- Max bundle capacity: 2"
- Max static load: 30lbs.
- Material: Nylon 6/6



RoHS Compliant

| MOUSER STOCK NO. | Panduit Part No. | Description | Price Each | | |
|-----------------------------|------------------|---|------------|------|------|
| | | | 1 | 10 | 25 |
| Wall Mount | | | | | |
| 644-JP2W-L20 | JP2W-L20 | One 1/4" mounting hole for user supplied screw | 2.70 | 2.43 | 2.19 |
| Ceiling Mount | | | | | |
| 644-JP2CM-L20 | JP2CM-L20 | One 3/16", 1/4" & 3/8" mtg hole | 3.63 | 3.27 | 2.93 |
| Hammer-On Beam Clamp | | | | | |
| 644-JP2HBC25R-L20 | JP2HBC25R-L20 | For use w/flanges 1/8"-1/4" thick. Rotates 360° | 4.59 | 4.13 | 3.72 |

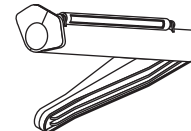


PAN-WRAP™ INSTALLATION TOOLS

Installation tool with 180° opening allows easy loading of maximum bundle diameters to speed installation, providing the lowest installed cost.

| MOUSER STOCK NO. | Panduit Part No. | Size | Color | For use with: | Price Each | |
|------------------|------------------|------|-------|---------------|------------|------|
| | | | | | 1 | 5 |
| 644-PWT50 | PWT50 | 1/2" | White | PW50F | 6.93 | 6.45 |
| 644-PWT75 | PWT75 | 3/4" | White | PW75F | 9.84 | 9.31 |

- For split harness wrap
- Material: Polyethylene
- 180° opening allows easy loading



RoHS Compliant