

WURTH ELECTRONICS SMD Inductors



RoHS compliant This product is RoHS compliant.

SHIELDED TINY POWER INDUCTORS WE-TPC (CONT.)

Features:

- Extremely flat power inductor
- High current capability
- High reliability and perfect soldering characteristics because of an intergrated soldering pad
- Magnetically shielded which results in a low leakage field
- Operating temperature range: 40°C up to +125°C

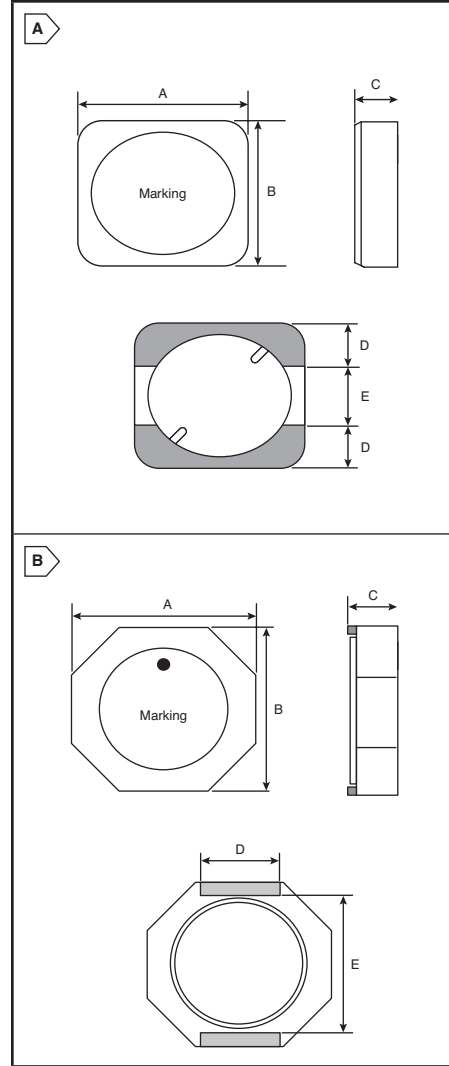
Applications:

- Portable power-like PDA, digital camera, PC/MICA-cards and displays
- DC/DC converter
- Recommended for switching regulator IC's from Linear Technology, National Semiconductor, Texas Instruments, and Fairchild Semiconductor

DIMENSIONS: mm					
Size	A	B	C	D	E
5828	5.8	5.8	2.8	1.9	2.0
1028	10.0	10.0	2.8	3.2	7.4
1038	10.0	10.0	3.8	3.2	7.4

For quantities greater than listed, call for quote.

MOUSER STOCK NO.	Wurth Electronics Part No.	Fig.	Inductance (uH)	DCR typ. (Ω)	DCR max. (Ω)	Rated Current (mA)	Saturation Current (mA)	Price Each			Reel Qty.	Price per Piece
								1	25	100		
5828												
710-744053002	744053002	A	2.6	0.0220	0.030	3000	2700	1.99	1.74	1.42	400	1.41
710-744053003	744053003	A	3.0	0.0240	0.030	2800	2500	1.99	1.74	1.42	400	1.41
710-7440530047	7440530047	A	4.7	0.0300	0.038	2400	1950	1.99	1.74	1.42	400	1.41
710-744053005	744053005	A	5.3	0.0300	0.040	2300	1900	1.99	1.74	1.42	400	1.41
710-744053006	744053006	A	6.2	0.0350	0.045	2200	1700	1.99	1.74	1.42	400	1.41
710-744053008	744053008	A	8.2	0.0400	0.055	2100	1600	1.99	1.74	1.42	400	1.41
710-744053100	744053100	A	10.0	0.0500	0.070	1500	1400	1.99	1.74	1.42	400	1.41
710-744053120	744053120	A	12.0	0.0600	0.080	1460	1250	1.99	1.74	1.42	400	1.41
710-744053150	744053150	A	15.0	0.0700	0.100	1380	1150	1.99	1.74	1.42	400	1.41
710-744053180	744053180	A	18.0	0.0880	0.110	1250	1100	1.99	1.74	1.42	400	1.41
710-744053220	744053220	A	22.0	0.0950	0.120	1150	900	1.99	1.74	1.42	400	1.41
710-744053270	744053270	A	27.0	0.1250	0.160	1050	800	1.99	1.74	1.42	400	1.41
710-744053330	744053330	A	33.0	0.1550	0.190	900	750	1.99	1.74	1.42	400	1.41
710-744053470	744053470	A	47.0	0.2200	0.250	820	650	1.99	1.74	1.42	400	1.41
710-744053680	744053680	A	68.0	0.2750	0.350	620	560	1.99	1.74	1.42	400	1.41
710-744053101	744053101	A	100.0	0.360	0.480	450	450	1.99	1.74	1.42	400	1.41
1028												
710-744065001	744065001	B	1.0	0.0058	0.0065	8000	9500	1.56	1.47	1.41	1000	1.28
710-7440650015	7440650015	B	1.5	0.0085	0.0100	7200	7500	1.56	1.47	1.41	1000	1.28
710-7440650022	7440650022	B	2.2	0.0104	0.0150	6200	5900	1.56	1.47	1.41	1000	1.28
710-7440650033	7440650033	B	3.3	0.0150	0.0200	5300	4700	1.56	1.47	1.41	1000	1.28
710-7440650047	7440650047	B	4.7	0.0200	0.0230	4600	4200	1.56	1.47	1.41	1000	1.28
710-7440650082	7440650082	B	8.2	0.0310	0.0370	3800	2800	1.56	1.47	1.41	1000	1.28
710-744065100	744065100	B	10.0	0.0450	0.0530	3000	2500	1.56	1.47	1.41	1000	1.28
710-744065150	744065150	B	15.0	0.0750	0.0900	2200	2250	1.56	1.47	1.41	1000	1.28
710-744065220	744065220	B	22.0	0.1100	0.1350	1800	1900	1.56	1.47	1.41	1000	1.28
710-744065330	744065330	B	33.0	0.1400	0.1800	1600	1300	1.56	1.47	1.41	1000	1.28
710-744065470	744065470	B	47.0	0.1800	0.2300	1400	1150	1.56	1.47	1.41	1000	1.28
710-744065560	744065560	B	56.0	0.2100	0.2700	1250	1100	1.56	1.47	1.41	1000	1.28
710-744065680	744065680	B	68.0	0.2300	0.3000	1200	1050	1.56	1.47	1.41	1000	1.28
710-744065820	744065820	B	82.0	0.3100	0.4200	1100	1000	1.56	1.47	1.41	1000	1.28
710-744065101	744065101	B	100.0	0.3300	0.4700	1000	900	1.56	1.47	1.41	1000	1.28
710-744065121	744065121	B	120.0	0.4200	0.5600	900	850	1.56	1.47	1.41	1000	1.28
710-744065151	744065151	B	150.0	0.5300	0.6800	850	750	1.56	1.47	1.41	1000	1.28
1038												
710-7440660015	7440660015	B	1.5	0.0062	0.0075	7200	10000	2.19	1.98	1.88	800	1.80
710-7440660022	7440660022	B	2.2	0.0080	0.0105	6700	6800	2.19	1.98	1.88	800	1.80
710-7440660035	7440660035	B	3.5	0.0115	0.0150	5800	6400	2.19	1.98	1.88	800	1.80
710-744066005	744066005	B	5.0	0.0165	0.0220	4900	5500	2.10	1.90	1.81	800	1.80
710-7440660062	7440660062	B	6.2	0.0200	0.0240	4300	4500	2.10	1.90	1.81	800	1.80
710-744066100	744066100	B	10.0	0.0280	0.0350	3600	4000	2.10	1.90	1.81	800	1.80
710-744066150	744066150	B	15.0	0.0400	0.0500	3200	3250	2.10	1.90	1.81	800	1.80
710-744066220	744066220	B	22.0	0.0600	0.0750	2500	2300	2.10	1.90	1.81	800	1.80
710-744066330	744066330	B	33.0	0.0920	0.1120	2100	1800	2.10	1.90	1.81	800	1.80
710-744066470	744066470	B	47.0	0.1320	0.1600	1750	1850	2.10	1.90	1.81	800	1.80
710-744066680	744066680	B	68.0	0.1850	0.2160	1500	1500	2.10	1.90	1.81	800	1.80
710-744066101	744066101	B	100.0	0.2550	0.3000	1200	1200	2.10	1.90	1.81	800	1.80
710-744066151	744066151	B	150.0	0.3950	0.4700	1000	1100	2.10	1.90	1.81	800	1.80
710-744066221	744066221	B	220.0	0.5700	0.7400	750	850	2.10	1.90	1.81	800	1.80
710-744066331	744066331	B	330.0	0.8500	1.0000	600	700	2.10	1.90	1.81	800	1.80



SMD COMMON MODE NOISE SUPPRESSORS WE-CNSW

Features:

- High common-mode noise suppression at high frequency
- Small influence for high speed signals through winding symmetry

Applications:

- USB 2.0
- Firewire/IEEE 1394
- LVDS
- High speed data lines
- Common mode filters

For quantities greater than listed, call for quote.

MOUSER STOCK NO.	Wurth Electronics Part No.	Fig.	Impedance (Ω)	Rated Volt. (V)	DC Resistance (Ω)	Rated Current (mA)	Pack Size	Price Each			Reel Qty.	Price per Piece
								1	25	100		
0805												
710-744231061	744231061	C	67	50	0.25	400	2000	.94	.861	.808	2000	.655
710-744231091	744231091	C	90	50	0.30	370	2000	.94	.861	.808	2000	.655
710-744231121	744231121	C	120	50	0.30	370	2000	.94	.861	.808	2000	.655
710-744231181	744231181	C	180	50	0.35	330	2000	.94	.861	.808	2000	.655
710-744231261	744231261	C	260	50	0.40	300	2000	.94	.861	.808	2000	.655
710-744231371	744231371	C	370	50	0.45	280	2000	.94	.861	.808	2000	.655
1206												
710-744232090	744232090	C	90	50	0.3	370	2000	1.68	1.50	1.44	2000	.897
710-744232161	744232161	C	160	50	0.4	340	2000	1.68	1.50	1.44	2000	.897
710-744232261	744232261	C	260	50	0.5	310	2000	1.68	1.50	1.44	2000	.897
710-744232601	744232601	C	600	50	0.8	260	2000	1.68	1.50	1.44	2000	.897
710-744232102	744232102	C	1000	50	1.0	230	2000	1.68	1.50	1.44	2000	.897
710-744232222	744232222	C	2200	50	1.2	200	2000	1.68	1.50	1.44	2000	.897

DIMENSIONS: mm					
Type	A	B	C	D	E
0805	2.00	1.20	1.20	0.45	0.40
1206	3.20	1.90	1.60	0.60	0.60

